

DATA SHEET

AC Disconnect with Integrated Surge Protection for Small Cell Radio Heads

RSCAC1333-P-240-DL

The RSCAC1333-P-240-DL is an AC Disconnect, Load Center and Surge Protection Device that is Suitable for Use as Service Equipment (SUSE).

It is designed to provide robust overvoltage surge protection for the AC power circuits for today's small cell radio systems. It employs patented Strikesorb® 30-A-2CHV modules capable of withstanding direct surge currents up to 5kA (10/350µs) and induced surge currents up to 60kA (8/20µs).

The RSCAC1333-P-240-DL provides dual (Line 1 to Neutral) (Line 2 to Neutral) protection for up to twelve AC circuits.

powered by

Strikesorb®



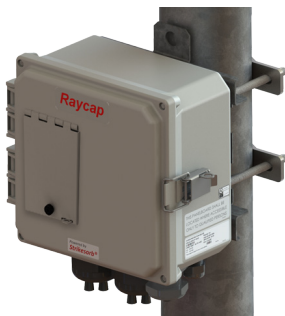
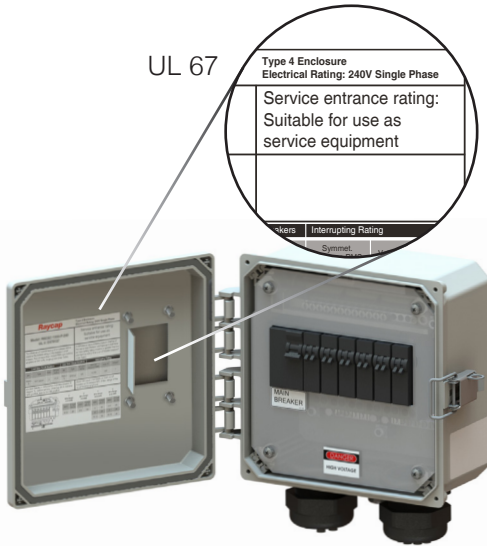
Features

- 60A main breaker Suitable for Use as Service Equipment (SUSE) without condition per UL and NEC
- 22kA Fault Current Rating (kAIC)
- Ships with six tandem pre-installed load breakers providing (12) 120VAC circuits which can be bridged to provide 240V
- 120/240VAC split phase configuration
- Employs the Strikesorb 30-A-2CHV Surge Protective Device (SPD)
 - The Strikesorb 30-A-2CHV is a Class I SPD, certified by VDE per the IEC 61643-11 standard as suitable for installation in areas where induced lightning exposure is expected
 - Strikesorb 30-A-2CHV is able to withstand direct surge currents up to 5kA (10/350µs) and induced surge currents of up to 60kA (8/20)
 - Provides low let through / clamping voltage - as it does not employ spark gaps or other switching elements
 - Strikesorb offers unique protection levels for wireless and small cell applications
- Lockable front hatch access to the main breaker (Optional). Main power can be turned on and off without opening the main enclosure door. Lockout Tagout (LOTO) functionality.
- LED indicator for "Power On" status and the position of the Main Breaker Disconnect (Optional)
 - 1 breaker utilized for LED indicator
 - Maximum (11) 120VAC circuits, maximum (5) 240V feeds
- Comes with two compression fittings that can be replaced with 1.5" NPT conduit fittings
- Provides (Line 1 to Neutral, Line 2 to Neutral) protection for 120/240VAC split phase systems
- Compatible with duplex/double pole breakers
- Patent pending design
- Pole mount bracket facilitates mounting up to 4" diameter pole using existing clamps. Can also be banded to any diameter pole. Center mount holes (5/8") for center pole mount

UL 67

Type 4 Enclosure
Electrical Rating: 240V Single Phase

Service entrance rating:
Suitable for use as
service equipment



Bracket Included

Benefits

- Offers unique maintenance free protection
- NEMA 4X or IP 66 rated enclosure, allowing for installation in harsh environments
- Lightweight design allows easy installation
- Up to eleven circuits for individual power control and over current protection of up to eleven small cell radio heads

Strikesorb is a registered trademark of Raycap
© 2019 Raycap All rights reserved.
G02-01-834 191119

Raycap

www.raycap.com

SPECIFICATIONS

powered by

Strikesorb®

AC Disconnect with Integrated Surge Protection for Small Cell Radio Heads

RSCAC1333-P-240-DL

Electrical

Model Number	RSCAC1333-P-240-DL
Service Disconnect	60A main breaker (with external disconnect & Power-ON LED Status Indicator)
Number of Circuits	Available up to 12
Breakers	Includes 6 tandem
Breaker Interrupt Rating (KAIC)	22kA
Means of External Disconnect	Hinged Cover
Surge Protection Device (SPD) Type to UL	Strikesorb 30-A-2CHV
Surge Protective Device (SPD) Type per UL 1449 4th Ed.	Recognized UL SPD
Surge Protection Device (SPD) Class to IEC 61643-11	Class I
Nominal Operating Voltage [U _n]	120V / 240V split phase
Nominal Discharge Current [I _n] per UL 1449 4th Ed.	20kA 8/20µs
Maximum Discharge Current [I _{max}] per IEC 61643-11	60kA 8/20µs
Impulse Discharge Current [I _{imp}] per IEC 61643-11	5kA 10/350µs
Maximum Continuous Operating Voltage [U _c] (MCOV)	150V per line
Voltage Protection Level [U _p] per IEC 61643-11	700V
Suppression Technology	MOV
Protection Modes	L1 to Neutral, L2 to Neutral

Mechanical

Connection (Power)	Main Breaker #12 - #2Ø AWG (3.31 - 67.4mm ²) Branch Breaker #14 - #8 AWG (2.5 - 6mm ²) Ground and Neutral Busbars #14 - #2 AWG (2.08 - 33.6mm ²)
Environmental Ingress Protection (IP) Rating	NEMA 4X or IP66
Operation Temperature (°C)	-40° C to +80° C
Storage Temperature (°C)	-70° C to +80° C
Enclosure Type (Outdoor)	Polycarbonate UL 94V-0 Rated
Enclosure Dimension (L x W x H)	10.43" x 9.38" x 6.25"
Enclosure	Hinged with Clasp
Weight	8 lbs [3.62kg]

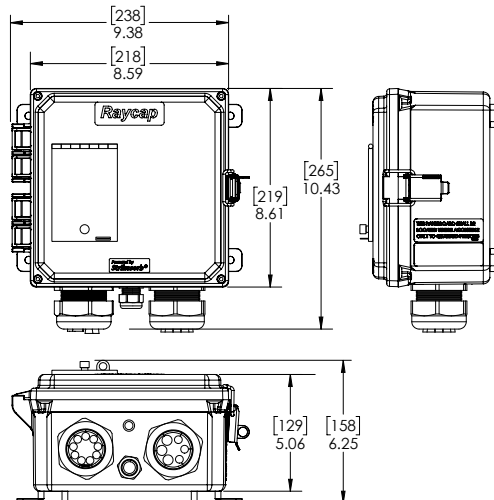
Standards Compliance & Certifications

Strikesorb modules are compliant to the following Surge Protective Device (SPD) standards:

UL 1449 4th Edition: 2011, IEC 61643-11: 2011, EN 61643-11: 2012, IEEE C62.11: 2005, IEEE C62.41: 2002, IEEE C62.45: 2002, NEMA-LS-1

Certification	UL, VDE, CE
Panel Board Certification	UL 67 (suitable for use as service equipment)

Product Diagram



Raycap

www.raycap.com

