

**ProTec T1 1+0**

**Class I • Class II • Type 1 • Type 2 • Type 1CA • Open Type 1 SPD Listed**



Location of Use: Main Distribution Boards  
 Network Systems: TN-S, TN-C, TT (only L-N)  
 Mode of Protection: L-PE, N-PE (only TN-S), L-PEN, L-N  
 IEC/EN/UL Category: Class I+II / Type 1+2 / Type 1CA, Open Type 1 SPD Listed  
 Housing: Pluggable Design  
 Compliance: IEC 61643-11:2011  
 EN 61643-11:2012 +A11:2018  
 UL 1449 5th Edition

**Technical Data**

ProTec T1-xxx-1+0(-R) & ProTec T1-xxx-1+0-US(-R)		75	150	300	350	440**	480	750
<b>IEC Electrical</b>								
Nominal AC Voltage (50/60Hz)	$U_o/U_n$	60V	120V	240V	277V	230V	400V	600V
Maximum Continuous Operating Voltage (AC)	$U_c$	75V	150V	300V	350V	440V	480V	750V
Nominal Discharge Current (8/20 $\mu$ s)	$I_n$	20kA	20kA	20kA	20kA	20kA	20kA	20kA
Maximum Discharge Current (8/20 $\mu$ s)	$I_{max}$	50kA	50kA	50kA	50kA	50kA	50kA	35kA
Impulse Discharge Current (10/350 $\mu$ s)	$I_{imp}$	12.5kA	12.5kA	12.5kA	12.5kA	12.5kA	10kA	5kA
Specific Energy	W/R	39 kJ/ $\Omega$	39kJ/ $\Omega$	39kJ/ $\Omega$	39kJ/ $\Omega$	39kJ/ $\Omega$	25kJ/ $\Omega$	6.25kJ/ $\Omega$
Charge	Q	6.25As	6.25As	6.25As	6.25As	6.25As	5As	2.5As
Voltage Protection Level	$U_p$	700V	1000V	1500V	1750V	1800V	2100V	3200V
Response Time	$t_A$	< 25ns						
Overcurrent Protection (max)		315 A / 250A gG						250A gG
Short-Circuit Current Rating (AC)	$I_{SCCR}$	25kA / 50kA						50kA
TOV Withstand 5s	$U_T$	114V	175V	337V	403V	440V	581V	871V
TOV 120min	$U_T$	114V	229V	442V	529V	440V	762V	1143V
	mode	Withstand	Safe Fail	Safe Fail	Safe Fail	Withstand	Safe Fail	Safe Fail
Number of Ports		1						
<b>UL Electrical</b>								
Maximum Continuous Operating Voltage (AC)	MCOV	75V	150V	300V	350V	-	480V	750V
Voltage Protection Rating	VPR	330V	600V	900V	1200V	-	1500V	2500V
Nominal Discharge Current (8/20 $\mu$ s)	$I_n$	20kA	20kA	20kA	20kA	-	20kA	20kA
Short-Circuit Current Rating (AC)	SCCR	100kA	200kA	150kA	150kA	-	200kA	150kA
<b>Additional Electrical Parameters - Standard</b> (Tests performed within Raycap testing laboratory only)								
Residual Voltage at 5 kA (8/20 $\mu$ s)	$U_{res}$	400V	800V	1100V	1300V	1400V	1500V	2500V
Overcurrent Protection (min)		160A gG						80A gG
<b>Additional Electrical Parameters - Extended</b> (Additionally tested by VDE)								
Short-Circuit Current Rating (AC)	$I_{SCCR}$	100kA						
Overcurrent Protection (max)		250A gG						
<b>Mechanical &amp; Environmental</b>								
Operating Temperature Range	$T_a$	-40 °F to +185 °F [-40 °C to +85 °C]						
Permissible Operating Humidity	RH	5%...95%						
Altitude (max)		13123 ft [4000m]						
Terminal Screw Torque	$M_{max}$	35 lbf-in per UL 1499 [4.5 Nm]						
Conductor Cross Section (max)		6 AWG (Solid, Stranded) per UL 1449 35 mm <sup>2</sup> (Solid, Stranded) / 25 mm <sup>2</sup> (Flexible)						
Mounting		35mm DIN Rail, EN 60715						
Degree of Protection		IP 20 (built-in)						
Housing Material		Thermoplastic: Extinguishing Degree UL 94 V-0						
Thermal Protection		Yes						
Operating State / Fault Indication		Green Flag / Not Green Flag						
Remote Contacts (RC)		Optional						
RC Switching Capacity		AC: 250V/1A, 125V/1A; DC: 48V/0.5A, 24V/0.5A, 12V/0.5A						
RC Conductor Cross Section (max)		10AWG (Solid, Stranded) per UL 1449 [1.5 mm <sup>2</sup> (Solid)]						

\*\*No VDE and UL certification.

Technical Data includes technical values for both UL Recognized and Open Type 1 UL Listed products.

Mechanical Data includes only technical values for Open Type 1 UL Listed products.

Connection Configurations can be found in QR Code link on intro page.



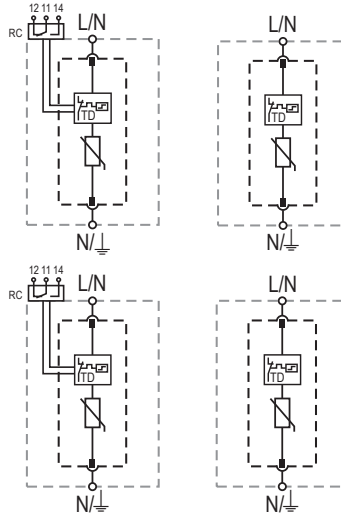
## Internal Configuration

### Legend

- L Line Conductor Terminal
- N Neutral Conductor Terminal
- ⏏ PE/G Conductor Terminal
- RC Remote Contacts Terminal (Optional)
- TD Thermal Disconnect

UL Listed Products

UL Recognized Products



### ProTec T1-xxx-1+0(-R)

#### Order Information VDE Certified and UL Recognized Products

Order Code	75	150	300	350	440**	480	750
ProTec T1-xxx-1+0	59.0007	59.0009	59.0011	59.0013	59.0531	59.0015	59.0017
ProTec T1-xxx-1+0-R (with remote contacts)	59.0008	59.0010	59.0012	59.0014	59.0532	59.0016	59.0018
ProTec T1-xxx-P (plug)	59.0001	59.0002	59.0003	59.0004	59.0539	59.0005	59.0006

\*\*No VDE and UL certification.

### ProTec T1-xxx-1+0-US(-R)

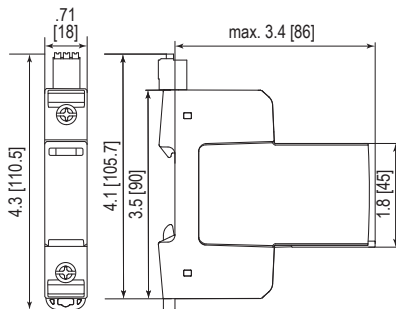
#### Order Information VDE Certified and Open Type 1 UL Listed Products

Order Code	75	150	300	350	440**	480	750
ProTec T1-xxx-1+0-US	59.B001	59.B003	59.B005	59.B007	-	59.B009	59.B011
ProTec T1-xxx-1+0-US-R (with remote contacts)	59.B002	59.B004	59.B006	59.B008	-	59.B010	59.B012
ProTec T1-xxx-P (plug)	59.0001	59.0002	59.0003	59.0004	59.0539	59.0005	59.0006

\*\*No VDE and UL certification.

## Dimensions & Packaging

inches [mm]



#### Complete Unit UL Recognized Products

ProTec T1-xxx-1+0	75	150	300	350	440**	480	750	
Weight	pounds	.304	.355	.381	.423	.439	.430	.437
	grams	138	161	173	192	199	195	198

#### ProTec T1-xxx-1+0-R

Weight	pounds	.320	.370	.397	.439	.454	.445	.452
	grams	145	168	180	199	206	202	205

#### Complete Unit UL Listed Products

ProTec T1-xxx-1+0-US	75	150	300	350	440**	480	750	
Weight	pounds	.304	.355	.381	.423	.439	.430	.437
	grams	138	161	173	192	199	195	198

#### ProTec T1-xxx-1+0-US-R

Weight	pounds	.320	.370	.397	.439	.454	.445	.452
	grams	145	168	180	199	206	202	205

DIN 43880 Dimension

1 TE / .71" [18]

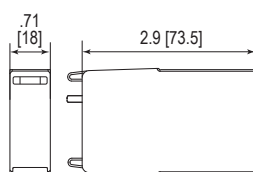
Packaging Dimensions (HxWxL)

4.3 x 4.5 x 13.8" [109 x 115 x 352 mm]

Standard Order Quantity

12 Units

## Spare Plug



#### Single Unit

ProTec T1-xxx-P	75	150	300	350	440**	480	750	
Weight	pounds	.152	.203	.229	.271	.287	.278	.284
	grams	69	92	104	123	130	126	129

DIN 43880 Dimension

1 TE / .71" [18]

Packaging Dimensions (HxWxL)

4.3 x 4.5 x 13.8" [109 x 115 x 352 mm]

Standard Order Quantity

28 Units

**ProTec T1 2+0**

**Class I • Class II • Type 1 • Type 2 • Type 1CA • Open Type 1 SPD Listed**



Location of Use: Main Distribution Boards  
 Network Systems: TN-S  
 Mode of Protection: L-PE, N-PE  
 IEC/EN/UL Category: Class I+II / Type 1+2 / Type 1CA, Open Type 1 SPD Listed  
 Housing: Pluggable Design  
 Compliance: IEC 61643-11:2011  
 EN 61643-11:2012 +A11:2018  
 UL 1449 5th Edition

**Technical Data**

ProTec T1-xxx-2+0(-R) & ProTec T1-xxx-2+0-US(-R)		75	150	300	350	440**	480	750
<b>IEC Electrical</b>								
Nominal AC Voltage (50/60Hz)	$U_o/U_n$	60V	120V	240V	277V	230V	400V	600V
Maximum Continuous Operating Voltage (AC)	$U_c$	75V	150V	300V	350V	440V	480V	750V
Nominal Discharge Current (8/20µs)	$I_n$	20kA	20kA	20kA	20kA	20kA	20kA	20kA
Maximum Discharge Current (8/20µs)	$I_{max}$	50kA	50kA	50kA	50kA	50kA	50kA	35kA
Impulse Discharge Current (10/350µs)	$I_{imp}$	12.5kA	12.5kA	12.5kA	12.5kA	12.5kA	10kA	5kA
Specific Energy	W/R	39 kJ/Ω	39 kJ/Ω	39 kJ/Ω	39 kJ/Ω	39 kJ/Ω	25 kJ/Ω	6.25 kJ/Ω
Charge	Q	6.25 As	6.25 As	6.25 As	6.25 As	6.25 As	5 As	2.5 As
Voltage Protection Level	$U_p$	700V	1000V	1500V	1750V	1800V	2100V	3200V
Response Time	$t_A$	< 25 ns						
Overcurrent Protection (max)		315 A / 250 A gG						250 A gG
Short-Circuit Current Rating (AC)	$I_{SCCR}$	25kA / 50kA						50kA
TOV Withstand 5s	$U_T$	114V	175V	337V	403V	440V	581V	871V
TOV 120min	$U_T$	114V	229V	442V	529V	440V	762V	1143V
	mode	Withstand	Safe Fail	Safe Fail	Safe Fail	Withstand	Safe Fail	Safe Fail
Number of Ports		1						
<b>UL Electrical</b>								
Maximum Continuous Operating Voltage (AC)	MCOV	75V	150V	300V	350V	-	480V	750V
Voltage Protection Rating	VPR	330V	600V	900V	1200V	-	1500V	2500V
Nominal Discharge Current (8/20µs)	$I_n$	20kA	20kA	20kA	20kA	-	20kA	20kA
Short-Circuit Current Rating (AC)	SCCR	100kA	200kA	150kA	150kA	-	200kA	150kA
<b>Additional Electrical Parameters - Standard</b> (Tests performed within Raycap testing laboratory only)								
Residual Voltage at 5 kA (8/20 µs)	$U_{res}$	400V	800V	1100V	1300V	1400V	1500V	2500V
Overcurrent Protection (min)		160 A gG						80 A gG
<b>Additional Electrical Parameters - Extended</b> (Additionally tested by VDE)								
Short-Circuit Current Rating (AC)	$I_{SCCR}$	100kA						
Overcurrent Protection (max)		250 A gG						
<b>Mechanical &amp; Environmental</b>								
Operating Temperature Range	$T_a$	-40 °F to +185 °F [-40 °C to +85 °C]						
Permissible Operating Humidity	RH	5%...95%						
Altitude (max)		13123 ft [4000m]						
Terminal Screw Torque	$M_{max}$	35 lbf-in per UL 1499 [4.5 Nm]						
Conductor Cross Section (max)		6 AWG (Solid, Stranded) per UL 1449 35 mm <sup>2</sup> (Solid, Stranded) / 25 mm <sup>2</sup> (Flexible)						
Mounting		35 mm DIN Rail, EN 60715						
Degree of Protection		IP 20 (built-in)						
Housing Material		Thermoplastic: Extinguishing Degree UL 94 V-0						
Thermal Protection		Yes						
Operating State / Fault Indication		Green Flag / Not Green Flag						
Remote Contacts (RC)		Optional						
RC Switching Capacity		AC: 250V/1A, 125V/1A; DC: 48V/0.5A, 24V/0.5A, 12V/0.5A						
RC Conductor Cross Section (max)		10AWG (Solid, Stranded) per UL 1449 [1.5 mm <sup>2</sup> (Solid)]						

\*\*No VDE and UL certification.

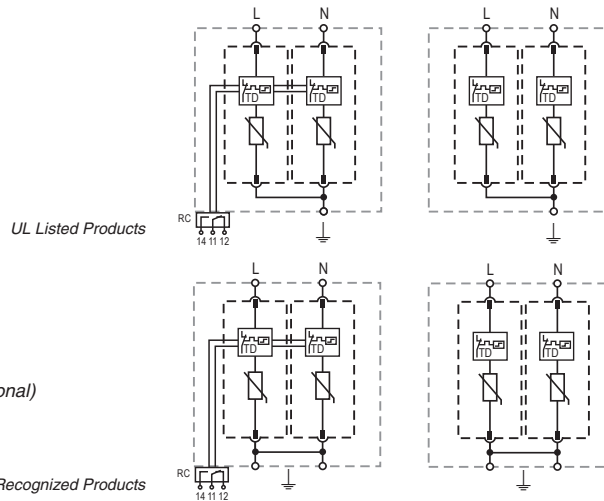
Technical Data includes technical values for both UL Recognized and Open Type 1 UL Listed products.

Mechanical Data includes only technical values for Open Type 1 UL Listed products.

Connection Configurations can be found in QR Code link on intro page.



## Internal Configuration



### Legend

- L Line Conductor Terminal
- N Neutral Conductor Terminal
- ⏏ PE/G Conductor Terminal
- RC Remote Contacts Terminal (Optional)
- TD Thermal Disconnecter

### ProTec T1-xxx-2+0(-R)

#### Order Information VDE Certified and UL Recognized Products

Order Code	75	150	300	350	440**	480	750
ProTec T1-xxx-2+0	59.0349	59.0019	59.0021	59.0023	59.0533	59.0025	59.0027
ProTec T1-xxx-2+0-R (with remote contacts)	59.0350	59.0020	59.0022	59.0024	59.0534	59.0026	59.0028
ProTec T1-xxx-P (plug)	59.0001	59.0002	59.0003	59.0004	59.0539	59.0005	59.0006

\*\*No VDE and UL certification.

### ProTec T1-xxx-2+0-US(-R)

For UL Listed products one PE/G Conductor Terminal is covered/closed.

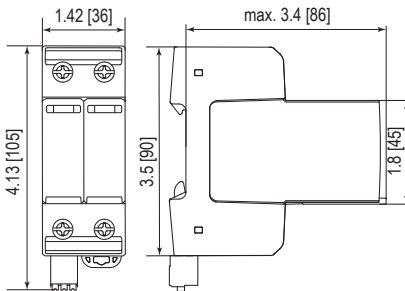
#### Order Information VDE Certified and Open Type 1 UL Listed Products

Order Code	75	150	300	350	440**	480	750
ProTec T1-xxx-2+0-US	59.B013	59.B015	59.B017	59.B019	-	59.B021	59.B023
ProTec T1-xxx-2+0-US-R (with remote contacts)	59.B014	59.B016	59.B018	59.B020	-	59.B022	59.B024
ProTec T1-xxx-P (plug)	59.0001	59.0002	59.0003	59.0004	59.0539	59.0005	59.0006

\*\*No VDE and UL certification.

## Dimensions & Packaging

inches [mm]



#### Complete Unit UL Recognized Products

ProTec T1-xxx-2+0	75	150	300	350	440**	480	750
Weight	pounds	.595	.697	.750	.833	.864	.860
	grams	270	316	340	378	392	390

#### ProTec T1-xxx-2+0-R

Weight	pounds	.615	.717	.769	.853	.866	.884
	grams	279	325	349	387	393	401

#### Complete Unit UL Listed Products

ProTec T1-xxx-2+0-US	75	150	300	350	440**	480	750
Weight	pounds	.575	.677	.730	.813	.844	.840
	grams	261	307	331	369	383	381

#### ProTec T1-xxx-2+0-US-R

Weight	pounds	.595	.697	.749	.833	.846	.864
	grams	270	316	340	378	384	402

DIN 43880 Dimension

2 TE / 1.42" [36]

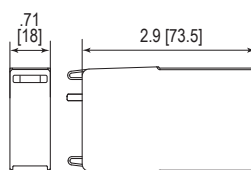
Packaging Dimensions (HxWxL)

4.3 x 4.5 x 13.8" [109 x 115 x 352 mm]

Standard Order Quantity

7 Units

## Spare Plug



#### Single Unit

ProTec T1-xxx-P	75	150	300	350	440**	480	750
Weight	pounds	.152	.203	.229	.271	.287	.284
	grams	69	92	104	123	130	129

DIN 43880 Dimension

1 TE / .71" [18]

Packaging Dimensions (HxWxL)

4.3 x 4.5 x 13.8" [109 x 115 x 352 mm]

Standard Order Quantity

28 Units

**ProTec T1 3+0**

**Class I • Class II • Type 1 • Type 2 • Type 1CA • Open Type 1 SPD Listed**



Location of Use: Main Distribution Boards  
 Network Systems: TN-C  
 Mode of Protection: L-PEN  
 IEC/EN/UL Category: Class I+II / Type 1+2 / Type 1CA, Open Type 1 SPD Listed  
 Housing: Pluggable Design  
 Compliance: IEC 61643-11:2011  
 EN 61643-11:2012 +A11:2018  
 UL 1449 5th Edition

**Technical Data**

ProTec T1-xxx-3+0(-R) & ProTec T1-xxx-3+0-US(-R)		150	300	350	440**	480	750
<b>IEC Electrical</b>							
Nominal AC Voltage (50/60Hz)	$U_o/U_n$	120V	240V	277V	230V	400V	600V
Maximum Continuous Operating Voltage (AC)	$U_c$	150V	300V	350V	440V	480V	750V
Nominal Discharge Current (8/20 $\mu$ s)	$I_n$	20kA	20kA	20kA	20kA	20kA	20kA
Maximum Discharge Current (8/20 $\mu$ s)	$I_{max}$	50kA	50kA	50kA	50kA	50kA	35kA
Impulse Discharge Current (10/350 $\mu$ s)	$I_{imp}$	12.5kA	12.5kA	12.5kA	12.5kA	10kA	5kA
Specific Energy	W/R	39kJ/ $\Omega$	39kJ/ $\Omega$	39kJ/ $\Omega$	39kJ/ $\Omega$	25kJ/ $\Omega$	6.25kJ/ $\Omega$
Charge	Q	6.25As	6.25As	6.25As	6.25As	5As	2.5As
Voltage Protection Level	$U_p$	1000V	1500V	1750V	1800V	2100V	3200V
Response Time	$t_A$	< 25ns					
Overcurrent Protection (max)		315 A / 250 A gG					250 A gG
Short-Circuit Current Rating (AC)	$I_{SCCR}$	25kA / 50kA					50kA
TOV Withstand 5s	$U_T$	175V	337V	403V	440V	581V	871V
TOV 120min	$U_T$	229V	442V	529V	440V	762V	1143V
	mode	Safe Fail	Safe Fail	Safe Fail	Withstand	Safe Fail	Safe Fail
Number of Ports		1					
<b>UL Electrical</b>							
Maximum Continuous Operating Voltage (AC)	MCOV	150V	300V	350V	-	480V	750V
Voltage Protection Rating	VPR	600V	900V	1200V	-	1500V	2500V
Nominal Discharge Current (8/20 $\mu$ s)	$I_n$	20kA	20kA	20kA	-	20kA	20kA
Short-Circuit Current Rating (AC)	SCCR	200kA	150kA	150kA	-	200kA	150kA
<b>Additional Electrical Parameters - Standard (Tests performed within Raycap testing laboratory only)</b>							
Residual Voltage at 5 kA (8/20 $\mu$ s)	$U_{res}$	800V	1100V	1300V	1400V	1500V	2500V
Overcurrent Protection (min)		160 A gG					80 A gG
<b>Additional Electrical Parameters - Extended (Additionally tested by VDE)</b>							
Short-Circuit Current Rating (AC)	$I_{SCCR}$	100kA					
Overcurrent Protection (max)		250 A gG					
<b>Mechanical &amp; Environmental</b>							
Operating Temperature Range	$T_a$	-40 °F to +185 °F [-40 °C to +85 °C]					
Permissible Operating Humidity	RH	5%...95%					
Altitude (max)		13123 ft [4000m]					
Terminal Screw Torque	$M_{max}$	35 lbf-in per UL 1499 [4.5 Nm]					
Conductor Cross Section (max)		6 AWG (Solid, Stranded) per UL 1449 35 mm <sup>2</sup> (Solid, Stranded) / 25 mm <sup>2</sup> (Flexible)					
Mounting		35 mm DIN Rail, EN 60715					
Degree of Protection		IP 20 (built-in)					
Housing Material		Thermoplastic: Extinguishing Degree UL 94 V-0					
Thermal Protection		Yes					
Operating State / Fault Indication		Green Flag / Not Green Flag					
Remote Contacts (RC)		Optional					
RC Switching Capacity		AC: 250V/1A, 125V/1A; DC: 48V/0.5A, 24V/0.5A, 12V/0.5A					
RC Conductor Cross Section (max)		10 AWG (Solid, Stranded) per UL 1449 [1.5 mm <sup>2</sup> (Solid)]					

\*\*No VDE and UL certification.

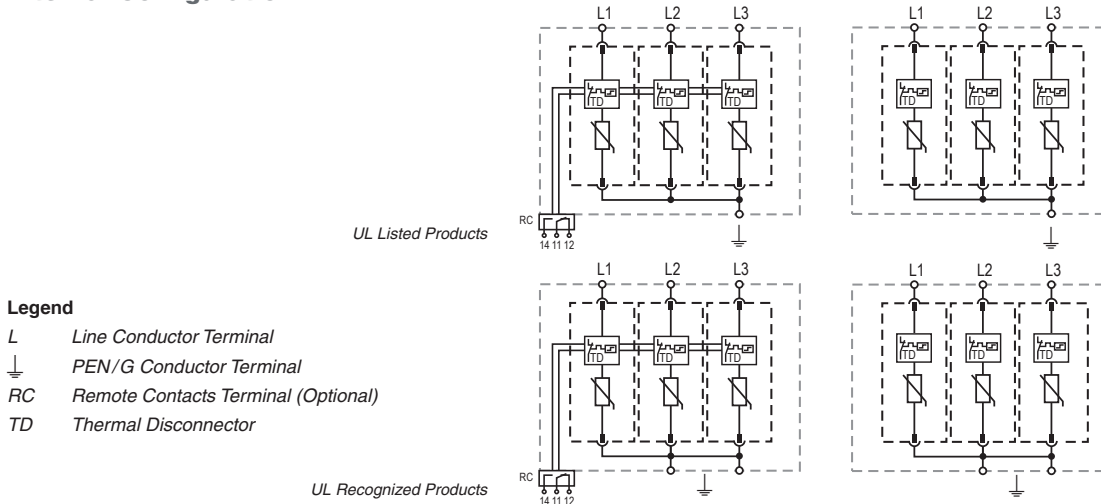
Technical Data includes technical values for both UL Recognized and Open Type 1 UL Listed products.

Mechanical Data includes only technical values for Open Type 1 UL Listed products.

Connection Configurations can be found in QR Code link on intro page.



## Internal Configuration



### ProTec T1-xxx-3+0(-R)

#### Order Information VDE Certified and UL Recognized Products

Order Code	150	300	350	440**	480	750
ProTec T1-xxx-3+0	59.0029	59.0031	59.0033	59.0535	59.0035	59.0037
ProTec T1-xxx-3+0-R (with remote contacts)	59.0030	59.0032	59.0034	59.0536	59.0036	59.0038
ProTec T1-xxx-P (plug)	59.0002	59.0003	59.0004	59.0539	59.0005	59.0006

\*\*No VDE and UL certification.

### ProTec T1-xxx-3+0-US(-R)

For UL Listed products one PE/G Conductor Terminal is covered/closed.

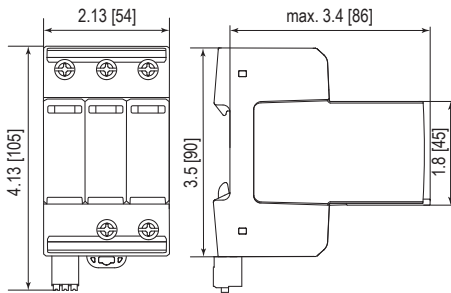
#### Order Information VDE Certified and Open Type 1 UL Listed Products

Order Code	150	300	350	440**	480	750
ProTec T1-xxx-3+0-US	59.B025	59.B027	59.B029	-	59.B031	59.B033
ProTec T1-xxx-3+0-US-R (with remote contacts)	59.B026	59.B028	59.B030	-	59.B032	59.B034
ProTec T1-xxx-P (plug)	59.0002	59.0003	59.0004	59.0539	59.0005	59.0006

\*\*No VDE and UL certification.

## Dimensions & Packaging

inches [mm]



#### Complete Unit UL Recognized Products

ProTec T1-xxx-3+0	150	300	350	440**	480	750	
Weight	pounds	1.021	1.100	1.226	1.272	1.246	1.265
	grams	463	499	556	577	565	574

#### ProTec T1-xxx-3+0-R

Weight	pounds	1.041	1.120	1.246	1.292	1.265	1.285
	grams	472	508	565	586	574	583

#### Complete Unit UL Listed Products

ProTec T1-xxx-3+0-US	150	300	350	440**	480	750	
Weight	pounds	1.001	1.080	1.206	1.252	1.226	1.245
	grams	454	490	547	568	556	565

#### ProTec T1-xxx-3+0-US-R

Weight	pounds	1.021	1.100	1.226	1.272	1.245	1.265
	grams	463	499	556	577	565	574

DIN 43880 Dimension

3 TE / 2.13" [54]

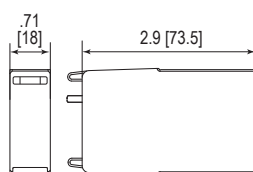
Packaging Dimensions (HxWxL)

4.3 x 4.5 x 13.8" [109 x 115 x 352 mm]

Standard Order Quantity

5 Unit

## Spare Plug



#### Single Unit

ProTec T1-xxx-P	150	300	350	440**	480	750	
Weight	pounds	.203	.229	.271	.287	.278	.284
	grams	92	104	123	130	126	129

DIN 43880 Dimension

1 TE / .71" [18]

Packaging Dimensions (HxWxL)

4.3 x 4.5 x 13.8" [109 x 115 x 352 mm]

Standard Order Quantity

28 Units

**Class I • Class II • Type 1 • Type 2 • Type 1CA • Open Type 1 SPD Listed**



Location of Use: Main Distribution Boards  
 Network Systems: TN-S  
 Mode of Protection: L-PE, N-PE  
 IEC/EN/UL Category: Class I+II / Type 1+2 / Type 1CA,  
 Open Type 1 SPD Listed  
 Housing: Pluggable Design  
 Compliance: IEC 61643-11:2011  
 EN 61643-11:2012 +A11:2018  
 UL 1449 5th Edition

**Technical Data**

**ProTec T1-xxx-4+0(-R) & ProTec T1-xxx-4+0-US(-R)**

**150      300      350      440\*\*      480**

**IEC Electrical**

Nominal AC Voltage (50/60Hz)	$U_o/U_n$	120V	240V	277V	230V	400V
Maximum Continuous Operating Voltage (AC)	$U_c$	150V	300V	350V	440V	480V
Nominal Discharge Current (8/20µs)	$I_n$	20kA	20kA	20kA	20kA	20kA
Maximum Discharge Current (8/20µs)	$I_{max}$	50kA	50kA	50kA	50kA	50kA
Impulse Discharge Current (10/350µs)	$I_{imp}$	12.5kA	12.5kA	12.5kA	12.5kA	10kA
Specific Energy	W/R	39kJ/Ω	39kJ/Ω	39kJ/Ω	39kJ/Ω	25kJ/Ω
Charge	Q	6.25As	6.25As	6.25As	6.25As	5As
Voltage Protection Level	$U_p$	1000V	1500V	1750V	1800V	2100V
Response Time	$t_A$	< 25ns				
Overcurrent Protection (max)	315 A / 250 A gG					
Short-Circuit Current Rating (AC)	$I_{SCCR}$	25kA / 50kA				
TOV Withstand 5s	$U_T$	175V	337V	403V	440V	581V
TOV 120min	$U_T$	229V	442V	529V	440V	762V
	mode	Safe Fail	Safe Fail	Safe Fail	Withstand	Safe Fail
Number of Ports	1					

**UL Electrical**

Maximum Continuous Operating Voltage (AC)	MCOV	150V	300V	350V	-	480V
Voltage Protection Rating	VPR	600V	900V	1200V	-	1500V
Nominal Discharge Current (8/20µs)	$I_n$	20kA	20kA	20kA	-	20kA
Short-Circuit Current Rating (AC)	SCCR	200kA	150kA	150kA	-	200kA

**Additional Electrical Parameters - Standard** (Tests performed within Raycap testing laboratory only)

Residual Voltage at 5 kA (8/20 µs)	$U_{res}$	800V	1100V	1300V	1400V	1500V
Overcurrent Protection (min)	160 A gG					

**Additional Electrical Parameters - Extended** (Additionally tested by VDE)

Short-Circuit Current Rating (AC)	$I_{SCCR}$	100kA				
Overcurrent Protection (max)	250 A gG					

**Mechanical & Environmental**

Operating Temperature Range	$T_a$	-40 °F to +185 °F [-40 °C to +85 °C]				
Permissible Operating Humidity	RH	5%...95%				
Altitude (max)	13123 ft [4000m]					
Terminal Screw Torque	$M_{max}$	35 lbf-in per UL 1499 [4.5 Nm]				
Conductor Cross Section (max)	6 AWG (Solid, Stranded) per UL 1449 35 mm <sup>2</sup> (Solid, Stranded) / 25 mm <sup>2</sup> (Flexible)					
Mounting	35 mm DIN Rail, EN 60715					
Degree of Protection	IP 20 (built-in)					
Housing Material	Thermoplastic: Extinguishing Degree UL 94 V-0					
Thermal Protection	Yes					
Operating State / Fault Indication	Green Flag / Not Green Flag					
Remote Contacts (RC)	Optional					
RC Switching Capacity	AC: 250V/1A, 125V/1A; DC: 48V/0.5A, 24V/0.5A, 12V/0.5A					
RC Conductor Cross Section (max)	10 AWG (Solid, Stranded) per UL 1449 [1.5 mm <sup>2</sup> (Solid)]					

\*\*No VDE and UL certification.

Technical Data includes technical values for both UL Recognized and Open Type 1 UL Listed products.

Mechanical Data includes only technical values for Open Type 1 UL Listed products.

Connection Configurations can be found in QR Code link on intro page.

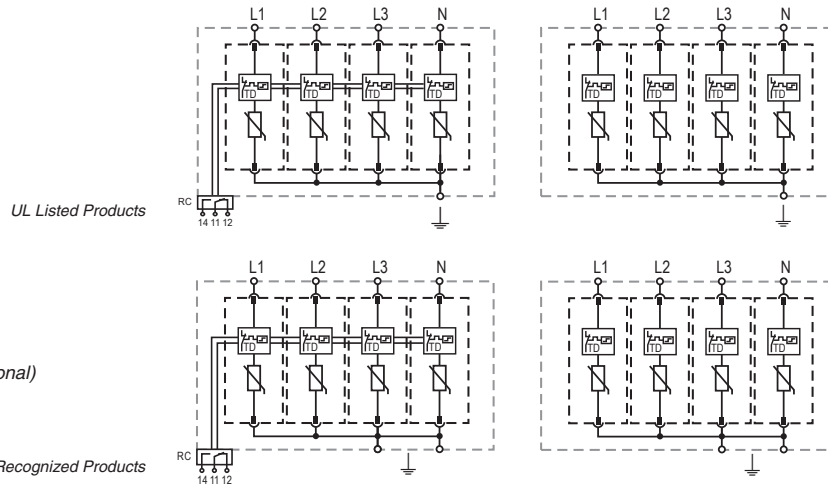


[www.raycap.com](http://www.raycap.com)

Information contained in this document is subject to change at any time without notice.



## Internal Configuration



### Legend

- L Line Conductor Terminal
- N Neutral Conductor Terminal
- PE/G Conductor Terminal
- RC Remote Contacts Terminal (Optional)
- TD Thermal Disconnect

### ProTec T1-xxx-4+0(-R)

#### Order Information VDE Certified and UL Recognized Products

Order Code	150	300	350	440**	480
ProTec T1-xxx-4+0	59.0039	59.0041	59.0351	59.0537	59.0043
ProTec T1-xxx-4+0-R (with remote contacts)	59.0040	59.0042	59.0352	59.0538	59.0044
ProTec T1-xxx-P (plug)	59.0002	59.0003	59.0004	59.0539	59.0005

\*\*No VDE and UL certification.

### ProTec T1-xxx-4+0-US(-R)

For UL Listed products one PE/G Conductor Terminal is covered/closed.

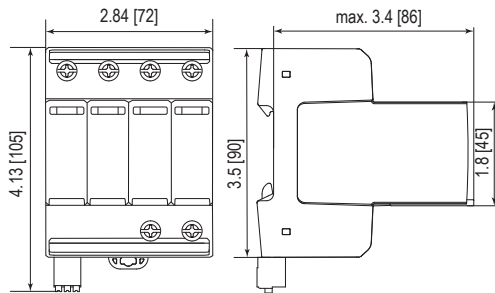
#### Order Information VDE Certified and Open Type 1 UL Listed Products

Order Code	150	300	350	440**	480
ProTec T1-xxx-4+0-US	59.B035	59.B037	59.B039	-	59.B041
ProTec T1-xxx-4+0-US-R (with remote contacts)	59.B036	59.B038	59.B040	-	59.B042
ProTec T1-xxx-P (plug)	59.0002	59.0003	59.0004	59.0539	59.0005

\*\*No VDE and UL certification.

## Dimensions & Packaging

inches [mm]



#### Complete Unit UL Recognized Products

ProTec T1-xxx-4+0	150	300	350	440**	480	
Weight	pounds	1.310	1.415	1.583	1.508	1.609
	grams	594	642	718	684	730

#### ProTec T1-xxx-4+0-R

Weight	pounds	1.329	1.435	1.603	1.519	1.629
	grams	603	651	727	689	739

#### Complete Unit UL Listed Products

ProTec T1-xxx-4+0-US	150	300	350	440**	480	
Weight	pounds	1.290	1.395	1.563	1.488	1.589
	grams	585	633	709	675	721

#### ProTec T1-xxx-4+0-US-R

Weight	pounds	1.309	1.415	1.583	1.499	1.609
	grams	594	642	718	680	730

DIN 43880 Dimension

4 TE / 2.84" [72]

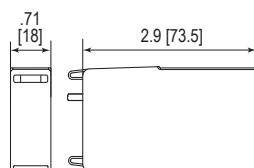
Packaging Dimensions (HxWxL)

4.3 x 4.5 x 13.8" [109 x 115 x 352 mm]

Standard Order Quantity

4 Units

## Spare Plug



#### Single Unit

ProTec T1-xxx-P	150	300	350	440**	480	
Weight	pounds	.203	.229	.271	.287	.278
	grams	92	104	123	130	126

DIN 43880 Dimension

1 TE / .71" [18]

Packaging Dimensions (HxWxL)

4.3 x 4.5 x 13.8" [109 x 115 x 352 mm]

Standard Order Quantity

28 Units



**ProTec T1 1+1**

**Class I • Class II • Type 1 • Type 2 • Type 1CA • Open Type 1 SPD Listed**



Location of Use: Main Distribution Boards  
 Network Systems: TT, TN-S  
 Mode of Protection: L-N, N-PE  
 IEC/EN/UL Category: Class I+II / Type 1+2 / Type 1CA, Open Type 1 SPD Listed  
 Housing: Pluggable Design  
 Compliance: IEC 61643-11:2011  
 EN 61643-11:2012 +A11:2018  
 UL 1449 5th Edition

**Technical Data**

ProTec T1-xxx-1+1(-R) & ProTec T1-xxx-1+1-US(-R)	75	150	300	350	
<b>IEC Electrical</b>					
Nominal AC Voltage (50/60Hz)	$U_o/U_n$	60 V	120 V	240 V	277 V
Maximum Continuous Operating Voltage	(L-N) $U_c$	75 V	150 V	300 V	350 V
	(N-PE) $U_c$	305 V	305 V	305 V	305 V
Nominal Discharge Current (8/20 $\mu$ s)	(L-N)/(N-PE) $I_n$		20 kA / 50 kA		
Maximum Discharge Current (8/20 $\mu$ s)	(L-N)/(N-PE) $I_{max}$		50 kA / 100 kA		
Impulse Discharge Current (10/350 $\mu$ s)	(L-N)/(N-PE) $I_{imp}$		12.5 kA / 50 kA		
Specific Energy	(L-N)/(N-PE) W/R		39 kJ/ $\Omega$ / 625 kJ/ $\Omega$		
Charge	(L-N)/(N-PE) Q		6.25 As / 25 As		
Voltage Protection Level	(L-N)/(N-PE) $U_p$	700 V / 1500 V	1000 V / 1500 V	1500 V / 1500 V	1750 V / 1500 V
Follow Current Interrupt Rating (AC)	(N-PE) $I_{fi}$		100 A		
Response Time	(L-N)/(N-PE) $t_A$		< 25 ns / < 100 ns		
Overcurrent Protection (max)			315 A / 250 A gG		
Short-Circuit Current Rating (AC)	(L-N) $I_{SCCR}$		25 kA / 50 kA		
TOV Withstand 5s	(L-N) $U_T$	114 V	175 V	337 V	403 V
TOV 120min	(L-N) $U_T$	114 V	229 V	442 V	529 V
		mode	Withstand	Safe Fail	Safe Fail
TOV Withstand 200ms	(N-PE) $U_T$		1200 V		
Number of Ports			1		
<b>UL Electrical</b>					
Maximum Continuous Operating Voltage (AC)	(L-N)/(N-G) MCOV	75 V / 305 V	150 V / 305 V	300 V / 305 V	350 V / 305 V
Voltage Protection Rating	(L-N)/(N-G) VPR	330 V / 1200 V	600 V / 1200 V	900 V / 1200 V	1200 V / 1200 V
Nominal Discharge Current (8/20 $\mu$ s)	(L-N)/(N-G) $I_n$	20 kA / 20 kA	20 kA / 20 kA	20 kA / 20 kA	20 kA / 20 kA
Short-Circuit Current Rating (AC)	(L-N) SCCR	100 kA	200 kA	150 kA	150 kA
<b>Additional Electrical Parameters - Standard</b> (Tests performed within Raycap testing laboratory only)					
Residual Voltage at 5 kA (8/20 $\mu$ s)	(L-N)/(N-PE) $U_{res}$	400 V/305 V	800 V/305 V	1100 V/305 V	1300 V/305 V
Overcurrent Protection (min)			160 A gG		
<b>Additional Electrical Parameters - Extended</b> (Additionally tested by VDE)					
Short-Circuit Current Rating (AC)	$I_{SCCR}$		100 kA		
Overcurrent Protection (max)			250 A gG		
<b>Mechanical &amp; Environmental</b>					
Operating Temperature Range	$T_a$	-40 °F to +185 °F [-40 °C to +85 °C]			
Permissible Operating Humidity	RH	5%...95%			
Altitude (max)		13123 ft [4000 m]			
Terminal Screw Torque	$M_{max}$	35 lbf-in per UL 1499 [4.5 Nm]			
Conductor Cross Section (max)		6 AWG (Solid, Stranded) per UL 1449			
		35 mm <sup>2</sup> (Solid, Stranded) / 25 mm <sup>2</sup> (Flexible)			
Mounting		35 mm DIN Rail, EN 60715			
Degree of Protection		IP 20 (built-in)			
Housing Material		Thermoplastic: Extinguishing Degree UL 94 V-0			
Thermal Protection		Yes			
Operating State / Fault Indication		Green Flag / Not Green Flag			
Remote Contacts (RC)		Optional			
RC Switching Capacity		AC: 250V/1A, 125V/1A; DC: 48V/0.5A, 24V/0.5A, 12V/0.5A			
RC Conductor Cross Section (max)		10 AWG (Solid, Stranded) per UL 1449 [1.5 mm <sup>2</sup> (Solid)]			

Technical Data includes technical values for both UL Recognized and Open Type 1 UL Listed products.

Mechanical Data includes only technical values for Open Type 1 UL Listed products.

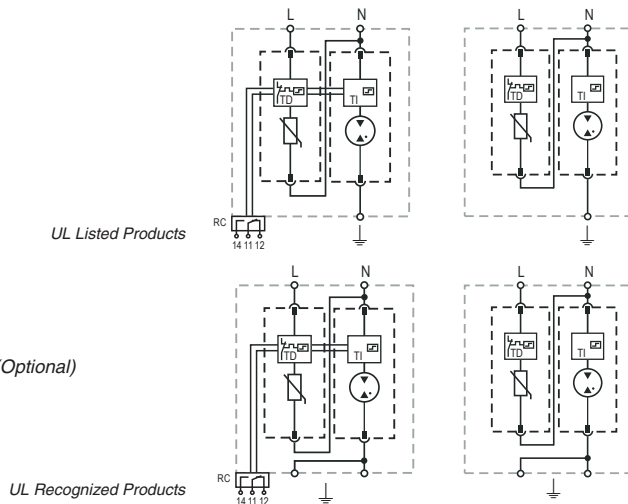
Connection Configurations can be found in QR Code link on intro page.



## Internal Configuration

### Legend

- L Line Conductor Terminal
- N Neutral Conductor Terminal
- PE/G Conductor Terminal
- RC Remote Contacts Terminal (Optional)
- TD Thermal Disconnect
- TI Thermal Indication



### ProTec T1-xxx-1+1(-R)

#### Order Information VDE Certified and UL Recognized Products

Order Code	75	150	300	350
ProTec T1-xxx-1+1	59.0047	59.0049	59.0051	59.0053
ProTec T1-xxx-1+1-R (with remote contacts)	59.0048	59.0050	59.0052	59.0054
ProTec T1-xxx-P (plug L-N)	59.0001	59.0002	59.0003	59.0004
ProTube T1-50-P (plug N-PE)	59.0269	59.0269	59.0269	59.0269

### ProTec T1-xxx-1+1-US(-R)

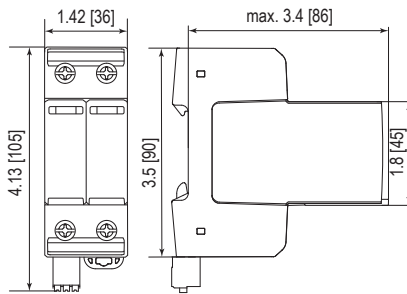
For UL Listed products one PE/G Conductor Terminal is covered/closed.

#### Order Information VDE Certified and Open Type 1 UL Listed Products

Order Code	75	150	300	350
ProTec T1-xxx-1+1-US	59.B043	59.B045	59.B047	59.B049
ProTec T1-xxx-1+1-US-R (with remote contacts)	59.B044	59.B046	59.B048	59.B050
ProTec T1-xxx-P (plug L-N)	59.0001	59.0002	59.0003	59.0004
ProTube T1-50-P (plug N-PE)	59.0269	59.0269	59.0269	59.0269

## Dimensions & Packaging

inches [mm]



#### Complete Unit UL Recognized Products

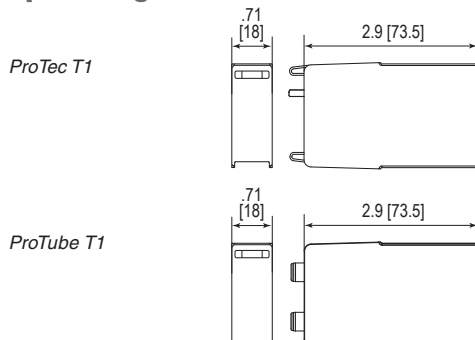
ProTec T1-xxx-1+1	75	150	300	350	
Weight	pounds	.659	.710	.736	.778
	grams	299	322	334	353
<b>ProTec T1-xxx-1+1-R</b>					
Weight	pounds	.672	.723	.750	.791
	grams	305	328	340	359

#### Complete Unit UL Listed Products

ProTec T1-xxx-1+1-US	75	150	300	350	
Weight	pounds	.639	.690	.716	.758
	grams	290	313	325	344
<b>ProTec T1-xxx-1+1-US(-R)</b>					
Weight	pounds	.652	.703	.730	.771
	grams	296	319	331	350

DIN 43880 Dimension	2 TE / 1.42" [36]
Packaging Dimensions (HxWxL)	4.3 x 4.5 x 13.8" [109 x 115 x 352 mm]
Standard Order Quantity	7 Units

## Spare Plug



#### Single Unit

ProTec T1-xxx-P	75	150	300	350	
Weight	pounds	.152	.203	.229	.271
	grams	69	92	104	123
<b>ProTube T1-50-P</b>					
Weight	pounds	.214			
	grams	97			
DIN 43880 Dimension	1 TE / .71" [18]				
Packaging Dimensions (HxWxL)	4.3 x 4.5 x 13.8" [109 x 115 x 352 mm]				
Standard Order Quantity	28 Units				

**ProTec T1 3+1**

**Class I • Class II • Type 1 • Type 2 • Type 1CA • Open Type 1 SPD Listed**



Location of Use: Main Distribution Boards  
 Network Systems: TT, TN-S  
 Mode of Protection: L-N, N-PE  
 IEC/EN/UL Category: Class I+II / Type 1+2 / Type 1CA, Open Type 1 SPD Listed  
 Housing: Pluggable Design  
 Compliance: IEC 61643-11:2011  
 EN 61643-11:2012 +A11:2018  
 UL 1449 5th Edition

**Technical Data**

ProTec T1-xxx-3+1(-R) & ProTec T1-xxx-3+1-US(-R)		300	350
<b>IEC Electrical</b>			
Nominal AC Voltage (50/60Hz)	$U_o/U_n$	240 V	277 V
Maximum Continuous Operating Voltage	(L-N) $U_c$	300 V	350 V
	(N-PE) $U_c$	305 V	305 V
Nominal Discharge Current (8/20 $\mu$ s)	(L-N)/(N-PE) $I_n$	20 kA / 50 kA	
Maximum Discharge Current (8/20 $\mu$ s)	(L-N)/(N-PE) $I_{max}$	50 kA / 100 kA	
Impulse Discharge Current (10/350 $\mu$ s)	(L-N)/(N-PE) $I_{imp}$	12.5 kA / 50 kA	
Specific Energy	(L-N)/(N-PE) W/R	39 kJ/ $\Omega$ / 625 kJ/ $\Omega$	
Charge	(L-N)/(N-PE) Q	6.25 As / 25 As	
Voltage Protection Level	(L-N)/(N-PE) $U_p$	1500 V / 1500 V	1750 V / 1500 V
Follow Current Interrupt Rating (AC)	(N-PE) $I_{fi}$	100 A	
Response Time	(L-N)/(N-PE) $t_A$	< 25 ns / < 100 ns	
Overcurrent Protection (max)		315 A / 250 A gG	
Short-Circuit Current Rating (AC)	(L-N) $I_{SCCR}$	25 kA / 50 kA	
TOV Withstand 5s	(L-N) $U_T$	337 V	403 V
TOV 120min	(L-N) $U_T$	mode	442 V
		mode	529 V
TOV Withstand 200ms	(N-PE) $U_T$	Safe Fail	Safe Fail
TOV Withstand 200ms	(N-PE) $U_T$	1200 V	1200 V
Number of Ports		1	
<b>UL Electrical</b>			
Maximum Continuous Operating Voltage (AC)	(L-N)/(N-G) MCOV	300 V / 305 V	350 V / 305 V
Voltage Protection Rating	(L-N)/(N-G) VPR	900 V / 1200 V	1200 V / 1200 V
Nominal Discharge Current (8/20 $\mu$ s)	(L-N)/(N-G) $I_n$	20 kA / 20 kA	20 kA / 20 kA
Short-Circuit Current Rating (AC)	(L-N) SCCR	150 kA	150 kA
<b>Additional Electrical Parameters - Standard</b> (Tests performed within Raycap testing laboratory only)			
Residual Voltage at 5 kA (8/20 $\mu$ s)	(L-N)/(N-PE) $U_{res}$	1100 V / 305 V	1300 V / 305 V
Overcurrent Protection (min)		160 A gG	
<b>Additional Electrical Parameters - Extended</b> (Additionally tested by VDE)			
Short-Circuit Current Rating (AC)	$I_{SCCR}$	100 kA	
Overcurrent Protection (max)		250 A gG	
<b>Mechanical &amp; Environmental</b>			
Operating Temperature Range	$T_a$	-40 °F to +185 °F [-40 °C to +85 °C]	
Permissible Operating Humidity	RH	5%...95%	
Altitude (max)		13123 ft [4000 m]	
Terminal Screw Torque	$M_{max}$	35 lbf-in per UL 1499 [4.5 Nm]	
Conductor Cross Section (max)		6 AWG (Solid, Stranded) per UL 1449	
		35 mm <sup>2</sup> (Solid, Stranded) / 25 mm <sup>2</sup> (Flexible)	
Mounting		35 mm DIN Rail, EN 60715	
Degree of Protection		IP 20 (built-in)	
Housing Material		Thermoplastic: Extinguishing Degree UL 94 V-0	
Thermal Protection		Yes	
Operating State / Fault Indication		Green Flag / Not Green Flag	
Remote Contacts (RC)		Optional	
RC Switching Capacity		AC: 250V/1A, 125V/1A; DC: 48V/0.5A, 24V/0.5A, 12V/0.5A	
RC Conductor Cross Section (max)		10AWG (Solid, Stranded) per UL 1449 [1.5 mm <sup>2</sup> (Solid)]	

Technical Data includes technical values for both UL Recognized and Open Type 1 UL Listed products.  
 Mechanical Data includes only technical values for Open Type 1 UL Listed products.  
 Connection Configurations can be found in QR Code link on intro page.



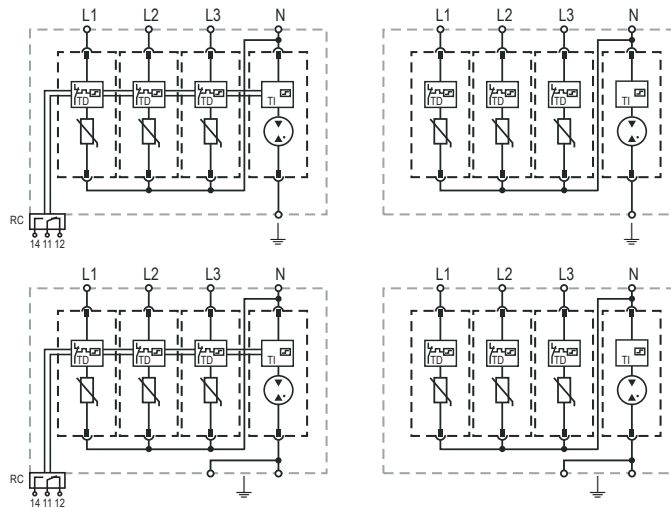
## Internal Configuration

### Legend

- L Line Conductor Terminal
- N Neutral Conductor Terminal
- PE/G Conductor Terminal
- RC Remote Contacts Terminal (Optional)
- TD Thermal Disconnect
- TI Thermal Indication

UL Listed Products

UL Recognized Products



### ProTec T1-xxx-3+1(-R)

#### Order Information VDE Certified and UL Recognized Products

Order Code	300	350
ProTec T1-xxx-3+1	59.0059	59.0061
ProTec T1-xxx-3+1-R (with remote contacts)	59.0060	59.0062
ProTec T1-xxx-P (plug L-N)	59.0003	59.0004
ProTube T1-50-P (plug N-PE)	59.0269	59.0269

### ProTec T1-xxx-3+1(-US(-R))

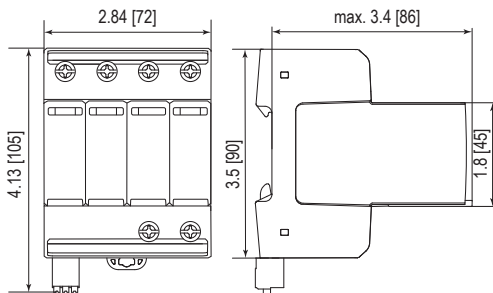
For UL Listed products one PE/G Conductor Terminal is covered/closed.

#### Order Information VDE Certified and Open Type 1 UL Listed Products

Order Code	300	350
ProTec T1-xxx-3+1-US	59.B051	59.B053
ProTec T1-xxx-3+1-US-R (with remote contacts)	59.B052	59.B054
ProTec T1-xxx-P (plug L-N)	59.0003	59.0004
ProTube T1-50-P (plug N-PE)	59.0269	59.0269

## Dimensions & Packaging

inches [mm]



#### Complete Unit UL Recognized Products

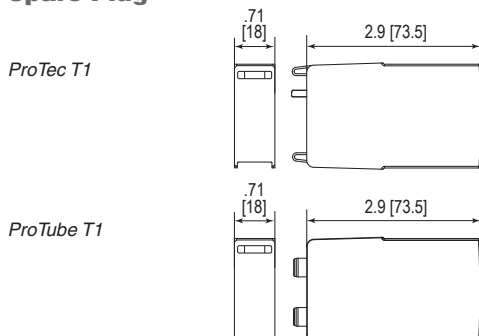
ProTec T1-xxx-3+1		300	350
Weight	pounds	1.466	1.592
	grams	665	722
ProTec T1-xxx-3+1-R			
Weight	pounds	1.486	1.612
	grams	674	724

#### Complete Unit UL Listed Products

ProTec T1-xxx-3+1-US		300	350
Weight	pounds	1.446	1.572
	grams	656	7113
ProTec T1-xxx-3+1-US(-R)			
Weight	pounds	1.466	1.592
	grams	665	715

DIN 43880 Dimension	4 TE / 2.84" [72]
Packaging Dimensions (HxWxL)	4.3 x 4.5 x 13.8" [109 x 115 x 352 mm]
Standard Order Quantity	4 Units

## Spare Plug



#### Single Unit

ProTec T1-xxx-P		300	350
Weight	pounds	.229	.271
	grams	104	123
ProTube T1-50-P		50	
Weight	pounds	.214	
	grams	97	

DIN 43880 Dimension	1 TE / .71" [18]
Packaging Dimensions (HxWxL)	4.3 x 4.5 x 13.8" [109 x 115 x 352 mm]
Standard Order Quantity	28 Units

**ProTube T1 0+1**

**Class I • Class II • Type 1 • Type 2 • Type 1CA • Open Type 1 SPD Listed**



Location of Use: Main Distribution Boards  
 Network Systems: TT, TN-S  
 Mode of Protection: N-PE  
 IEC/EN/UL Category: Class I+II / Type 1+2 / Type 1CA, Open Type 1 SPD Listed  
 Housing: Pluggable Design  
 Compliance: IEC 61643-11:2011  
 EN 61643-11:2012 +A11:2018  
 UL 1449 5th Edition

**Technical Data**

**ProTube T1-xxx-0+1 & ProTube T1-xxx-0+1-US**

**50**

**100**

IEC Electrical		50	100
Maximum Continuous Operating Voltage	$U_c$	305 V	305 V
Nominal Discharge Current (8/20 $\mu$ s)	$I_n$	50 kA	100 kA
Maximum Discharge Current (8/20 $\mu$ s)	$I_{max}$	100 kA	150 kA
Impulse Discharge Current (10/350 $\mu$ s)	$I_{imp}$	50 kA	100 kA
Specific Energy	W/R	625 kJ/ $\Omega$	2500 kJ/ $\Omega$
Charge	Q	25 As	50 As
Voltage Protection Level	$U_p$	1500 V	1500 V
Follow Current Interrupt Rating (AC)	$I_{fi}$	100 A	100 A
Response Time	$t_A$	< 100 ns	< 100 ns
TOV Withstand 200ms	$U_T$	1200 V	1200 V
Number of Ports		1	1
UL Electrical		50	100
Maximum Continuous Operating Voltage (AC)	MCOV	305V	305V
Voltage Protection Rating	VPR	1200V	1200V
Nominal Discharge Current (8/20 $\mu$ s)	$I_n$	20 kA	20 kA
Additional Electrical Parameters (Tests performed within Raycap testing laboratory only)			
Residual Voltage at 5 kA (8/20 $\mu$ s)	$U_{res}$	305V	305V
Mechanical & Environmental		50	100
Operating Temperature Range	$T_a$	-40 °F to +185 °F [-40 °C to +85 °C]	
Permissible Operating Humidity	RH	5%...95%	
Altitude (max)		13123 ft [4000 m]	
Terminal Screw Torque	$M_{max}$	35 lbf-in per UL 1499 [4.5 Nm]	
Conductor Cross Section (max)		6 AWG (Solid, Stranded) per UL 1449 35 mm <sup>2</sup> (Solid, Stranded) / 25 mm <sup>2</sup> (Flexible)	
Mounting		35mm DIN Rail, EN 60715	
Degree of Protection		IP 20 (built-in)	
Housing Material		Thermoplastic: Extinguishing Degree UL 94 V-0	
Thermal Protection		Yes	
Operating State / Fault Indication		Green Flag / Not Green Flag	

Technical Data includes technical values for both UL Recognized and Open Type 1 UL Listed products.


Mechanical Data includes only technical values for Open Type 1 UL Listed products.

Connection Configurations can be found in QR Code link on intro page.

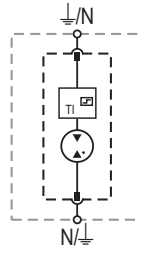


## Internal Configuration

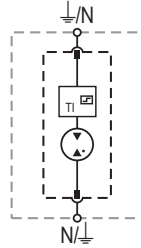
### Legend

- N* Neutral Conductor Terminal
-  PE/G Conductor Terminal
- T1* Thermal Indication

UL Listed Products



UL Recognized Products



### ProTube T1-xxx-0+1(-R)

#### Order Information VDE Certified and UL Recognized Products

Order Code	50	100
ProTube T1-xxx-0+1	59.0276	59.0278
ProTube T1-50-P (plug)	59.0269	-
ProTube T1-100-P (plug)	-	59.0271

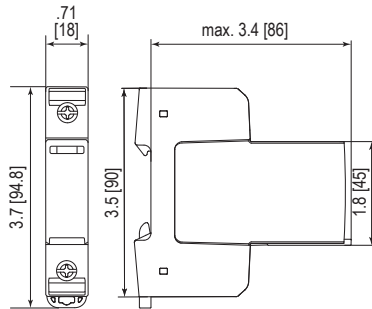
### ProTube T1-xxx-0+1-US(-R)

#### Order Information VDE Certified and Open Type 1 UL Listed Products

Order Code	50	100
ProTube T1-xxx-0+1-US	59.B231	59.B232
ProTube T1-50-P (plug)	59.0269	-
ProTube T1-100-P (plug)	-	59.0271

## Dimensions & Packaging

inches [mm]



#### Complete Unit UL Recognized Products

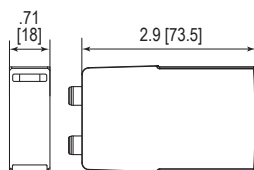
ProTube T1-xxx-0+1	50	100
Weight	pounds	.395
	grams	179

#### Complete Unit UL Listed Products

ProTube T1-xxx-0+1-US	50	100
Weight	pounds	.395
	grams	179

DIN 43880 Dimension	1 TE / .71" [18]
Packaging Dimensions (HxWxL)	4.3 x 4.5 x 13.8" [109 x 115 x 352 mm]
Standard Order Quantity	12 Units

## Spare Plug



#### Single Unit

ProTube T1-xxx-P	50	100
Weight	pounds	.214
	grams	97

DIN 43880 Dimension	1 TE / .71" [18]
Packaging Dimensions (HxWxL)	4.3 x 4.5 x 13.8" [109 x 115 x 352 mm]
Standard Order Quantity	28 Units