

Lightning and Overvoltage Protection
ProTube T1S-440-100-0+1
 Class I • Class II • Type 1 • Type 2



Location of Use: Main Distribution Boards
 Network Systems: TT, TN-S
 Mode of Protection: L-N, N-PE
 IEC/EN Category: Class I+II / Type 1+2
 Housing: Pluggable Design
 Compliance: IEC 61643-11:2011
 EN 61643-11:2012+A11:2018

Technical Data

ProTube T1S-440-xxx-0+1

100

IEC Electrical		
Maximum Continuous Operating Voltage (AC)	U_c	440V
Nominal Discharge Current (8/20 μ s)	I_n	100kA
Maximum Discharge Current (8/20 μ s)	I_{max}	100kA
Impulse Discharge Current (10/350 μ s)	I_{imp}	100kA
Specific Energy	W/R	2500 kJ/ Ω
Charge	Q	50As
Voltage Protection Level	U_p	2500V
Response Time	t_A	< 100ns
Follow Current Interrupt Rating (AC)	I_{fi}	100A
TOV 200ms	U_T / mode	1200V / Withstand
Number of Ports		1

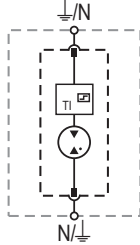
Additional Electrical Parameters (Tests performed within Raycap testing laboratory only)		
Residual Voltage at 5 kA (8/20 μ s)	U_{res}	440V

Mechanical & Environmental		
Operating Temperature Range	T_a	-40 °F to +185 °F [-40 °C to +85 °C]
Permissible Operating Humidity	RH	5%...95%
Altitude		6562 ft [2000m]
Terminal Screw Torque	M_{max}	40 lbf-in [4.5Nm]
Conductor Cross Section (max)		2 AWG (Solid, Stranded) / 4 AWG (Flexible) 35 mm ² (Solid, Stranded) / 25 mm ² (Flexible)
Mounting		35 mm DIN Rail, EN 60715
Degree of Protection		IP 20 (built-in)
Housing Material		Thermoplastic: Extinguishing Degree UL 94 V-0
Thermal Protection		Yes
Operating State / Fault Indication		Green Flag / Not Green Flag
Remote Contacts (RC)		Optional
RC Switching Capacity		AC: 250V/1A, 125V/1A; DC: 48V/0.5A, 24V/0.5A, 12V/0.5A
RC Conductor Cross Section (max)		16 AWG (Solid) / 1.5 mm ² (Solid)

Internal Configuration

Legend

- N* Neutral Conductor Terminal
- ⏚ PE Conductor Terminal
- Tl* Thermal Indication



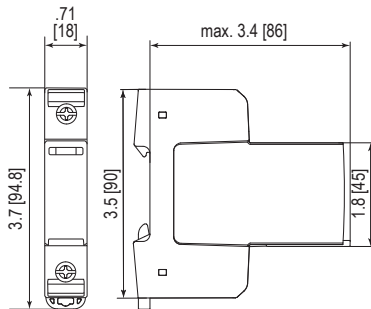
ProTube T1S-440-xxx-0+1

Order Information

Order Code	100
ProTube T1S-440-xxx-0+1	59.A529
ProTube T1S-440-100-P (plug)	59.A516

Dimensions & Packaging

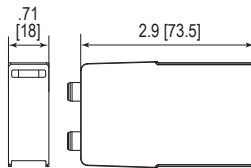
inches [mm]



Complete Unit

ProTube T1S-440-xxx-0+1	100
Weight	pounds [grams] .403 [183]
DIN 43880 Dimension	1 TE / .71" [18mm]
Packaging Dimensions (HxWxL)	4.3 x 4.5 x 13.8" [109 x 115 x 352mm]
Standard Order Quantity	12 Units

Spare Plug



Single Unit

ProTube T1S-440-100-P	100
Weight	pounds [grams] .253 [115]
DIN 43880 Dimension	1 TE / .71" [18mm]
Packaging Dimensions (HxWxL)	4.3 x 4.5 x 13.8" [109 x 115 x 352mm]
Standard Order Quantity	28 Units