

Single-pole PCB Mount SPD Socket for PV System  
**PCB Socket T1 PV(-R)**  
 Type 1 • Type 2 • Type 1CA



Location of Use: String box, Inverter  
 Mode of Protection: (+)-PE, (-)-PE, (+)-(-)  
 EN/UL Category: Type 1, Type 2 / Type 1CA  
 Housing: PCB Mount  
 Compliance: IEC 61643-31:2018  
 EN 61643-31:2019  
 UL 1449 5<sup>th</sup> Edition

**Technical Data**

**PCB Socket T1 PV(-R)**

**EN Electrical**

Maximum Continuous Operating Voltage (PV)	$U_{OPV}$	up to 750V
Nominal Discharge Current (8/20 $\mu$ s)	$I_n$	up to 20 kA
Impulse Discharge Current (10/350 $\mu$ s)	$I_{imp}$	up to 6.25 kA
Specific Energy	W/R	up to 9.77 kJ/ $\Omega$
Charge	Q	up to 3.125 As
Maximum Discharge Current (8/20 $\mu$ s)	$I_{max}$	up to 40 kA
Short-circuit Current Rating	$I_{SCPV}$	up to 30 kA
Number of Ports		1

**UL Electrical**

Maximum Permitted DC Voltage	$V_{pVdc}$	up to 750V
Nominal Discharge Current (8/20 $\mu$ s)	$I_n$	up to 20 kA
Short-circuit Current Rating	SCCR	up to 65 kA

**Mechanical & Environmental**

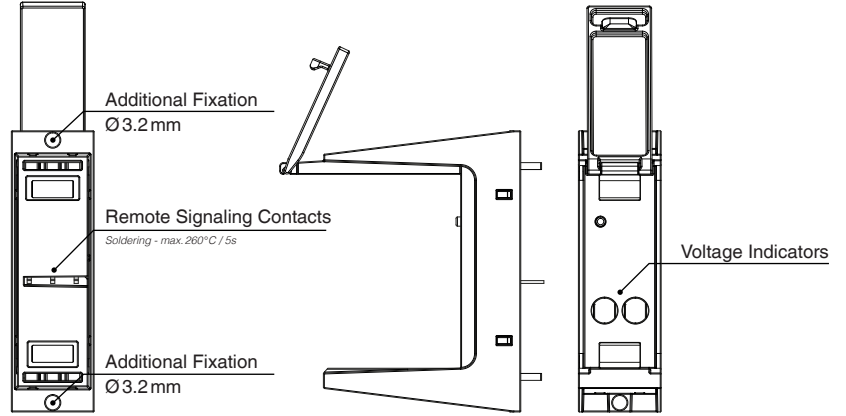
Operating Temperature Range	$T_a$	-40 °F to +185 °F [-40 °C to +85 °C]
Permissible Operating Humidity	RH	5%...95%
Altitude (max)		13123 ft [4000m]
Mounting		Printed Circuit Board (PCB)
Degree Of Protection		IP 20 (built-in PCB, with protection module plugged in)
Housing Material		Thermoplastic: Extinguishing Degree UL 94 V-0
Remote Contacts (RC)		Optional
RC Switching Capacity		AC: 250V/1A, 125V/1A; DC: 48V/0.5A, 24V/0.5A, 12V/0.5A

**Order Information**

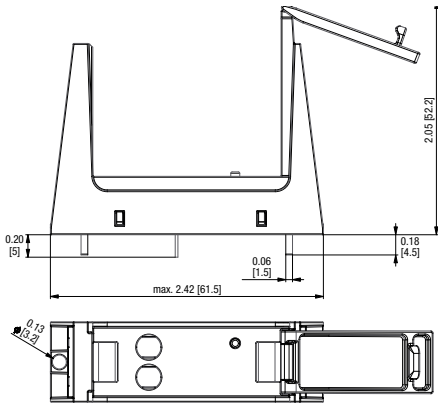
Without Remote Contact		With Remote Contact	
PCB Socket T1-300PV	515 227	PCB Socket T1-300PV-R	515 228
PCB Socket T1-300PV-M	515 229	PCB Socket T1-300PV-M-R	515 230
PCB Socket T1-550PV	515 155	PCB Socket T1-550PV-R	515 159
PCB Socket T1-550PV-M	515 156	PCB Socket T1-550PV-M-R	515 160
PCB Socket T1-750PV	515 157	PCB Socket T1-750PV-R	515 161
PCB Socket T1-750PV-M	515 158	PCB Socket T1-750PV-M-R	515 162
PCB Socket T1-750PV-S	515 207	PCB Socket T1-750PV-S-R	515 208

## Installation Configuration

## PCB Socket T1 PV(-R)



## Complete Unit inches [mm]



### Single Unit Dimensions & Packaging

#### PCB Socket T1 PV

Weight	pounds	.046
	grams	21

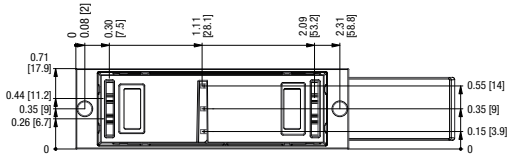
#### PCB Socket T1 PV-R

Weight	pounds	.048
	grams	22

DIN 43880 Dimension 1 TE / .71" [18]

Packaging Dimensions (H x W x L) 14.8 x 2.5 x 2.6" [377 x 64 x 67 mm]

Standard Order Quantity 20 Units



inches  
[mm]

Information contained in this document is subject to change at any time without notice.

