

Pluggable Single and Multi-Pole SPD
ProTube T2H 40 0+1
 Class II • Type 2



Location of Use: Sub-Distribution Boards
 Network Systems: TT, TN-S
 Mode of Protection: N-PE
 Surge Ratings: $I_n = 40 \text{ kA (8/20}\mu\text{s)}$
 $I_{max} = 65 \text{ kA (8/20}\mu\text{s)}$
 IEC/EN Category: Class II / Type 2
 Protective Elements: High Energy GDT with
 Thermal Disconnect
 Housing: Pluggable Design
 Compliance: IEC 61643-11:2011
 EN 61643-11:2012

Technical Data

ProTube T2H-xxx-0+1(-R)

40

IEC Electrical

Nominal AC Voltage (50/60Hz)	U_o/U_n	0V
Maximum Continuous Operating Voltage (AC)	U_c	305V
Nominal Discharge Current (8/20 μs)	I_n	40kA
Maximum Discharge Current (8/20 μs)	I_{max}	65kA
Voltage Protection Level	U_p	1500V
Follow Current Interrupt Rating	I_{fi}	100A _{RMS}
Response Time	t_A	< 100ns
TOV Withstand 120min	U_T	1200V
Number of Ports		1

Mechanical & Environmental

Operating Temperature Range	T_a	-40 °F to +185 °F [-40 °C to +85 °C]
Permissible Operating Humidity	RH	5%...95%
Altitude		13123 ft [4000m]
Terminal Screw Torque	M_{max}	39.9 lbf-in [4.5Nm]
Conductor Cross Section (max)		2 AWG (Solid, Stranded) / 4 AWG (Flexible) 35 mm ² (Solid, Stranded) / 25 mm ² (Flexible)
Mounting		35 mm DIN Rail, EN 60715
Degree of Protection		IP 20 (built-in)
Housing Material		Thermoplastic: Extinguishing Degree UL 94 V-0
Thermal Protection		Yes
Operating State / Fault Indication		Green Flag / Not Green Flag
Remote Contacts (RC)		Optional
RC Switching Capacity		AC: 250V/1A, 125V/1A; DC: 48V/0.5A, 24V/0.5A, 12V/0.5A
RC Conductor Cross Section (max)		16 AWG (Solid) / 1.5 mm ² (Solid)

Order Information

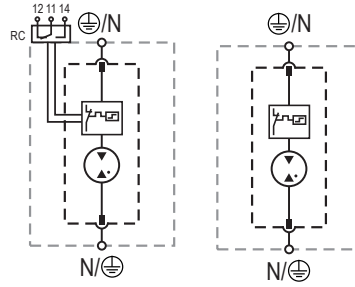
Order Code	40
ProTube T2H-xxx-0+1	59.0341
ProTube T2H-xxx-0+1-R (with remote contacts)	59.0342
ProTube T2H-40-P	59.0323

ProTube T2H 40 0+1

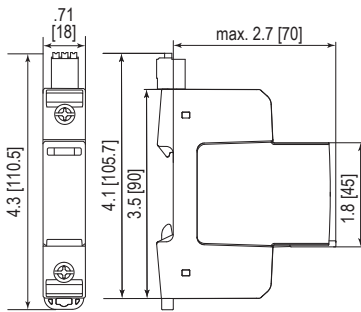
Internal Configuration

Legend

- L Line
- N Neutral
- ⊕ Protective Earth
- RC Remote Contacts Optional



Dimensions & Packaging

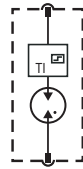


Dimensions & Packaging

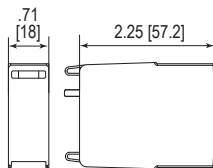
ProTube T2H-xxx-0+1		40
Single Unit Weight	pounds [grams]	.255 [116]
ProTube T2H-xxx-0+1-R		40
Single Unit Weight	pounds [grams]	.275 [125]
Single Unit DIN 43880 Dimension		1 TE
Packaging Dimensions (HxWxL)		4.3 x 4.5 x 13.8" [109 x 115 x 352 mm]
Minimum Order Quantity		12 Units

Plug Internal Configuration

ProTube T2H-40-P



Dimensions & Packaging



Dimensions & Packaging

ProTube T2H-40-P		40
Single Unit Weight	pounds [grams]	.093 [42]
Single Unit DIN 43880 Dimension		1 TE
Packaging Dimensions (HxWxL)		4.3 x 4.5 x 13.8" [109 x 115 x 352 mm]
Minimum Order Quantity		24 Units

inches
[mm]

Information contained in this document is subject to change at any time without notice.

