

Overvoltage Protection ProTube T2H 40 0+1

Class II • Type 2 • Type 1CA • Open Type 1 SPD Listed



Location of Use: Sub-Distribution Boards
 Network Systems: TT, TN-S
 Mode of Protection: N-PE
 IEC/EN/UL Category: Class II / Type 2 / Type 1CA,
 Open Type 1 SPD Listed
 Housing: Pluggable Design
 Compliance: IEC 61643-11:2011
 EN 61643-11:2012+A11:2018
 UL 1449 5th Edition

Technical Data

ProTube T2H-xxx-0+1(-R) & ProTube T2H-xxx-0+1-US(-R)

40

IEC Electrical

Maximum Continuous Operating Voltage (AC)	U_c	305 V
Nominal Discharge Current (8/20 μ s)	I_n	40kA
Maximum Discharge Current (8/20 μ s)	I_{max}	65 kA
Voltage Protection Level	U_p	1500 V
Follow Current Interrupt Rating	I_{fi}	100 A
Response Time	t_A	< 100 ns
TOV Withstand 120min	U_T	1200 V
Number of Ports		1

UL Electrical

Maximum Continuous Operating Voltage (AC)	MCOV	305 V
Voltage Protection Rating	VPR	1000 V
Nominal Discharge Current (8/20 μ s)	I_n	20 kA

Additional Electrical Parameters *(Tests performed within Raycap testing laboratory only)*

Residual Voltage at 5 kA (8/20 μ s)	U_{res}	305 V
Overcurrent Protection (min)		80 A gG

Mechanical & Environmental

Operating Temperature Range	T_a	-40 °F to +185 °F [-40 °C to +85 °C]
Permissible Operating Humidity	RH	5%...95%
Altitude (max)		13123 ft [4000 m]
Terminal Screw Torque	M_{max}	35 lbf-in per UL 1499 [4.5 Nm]
Conductor Cross Section (max)		6 AWG (Solid, Stranded) per UL 1449 35 mm ² (Solid, Stranded) / 25 mm ² (Flexible)
Mounting		35 mm DIN Rail, EN 60715
Degree of Protection		IP 20 (built-in)
Housing Material		Thermoplastic: Extinguishing Degree UL 94 V-0
Thermal Protection		Yes
Operating State / Fault Indication		Green Flag / Not Green Flag
Remote Contacts (RC)		Optional
RC Switching Capacity		AC: 250 V / 1 A, 125 V / 1 A; DC: 48 V / 0.5 A, 24 V / 0.5 A, 12 V / 0.5 A
RC Conductor Cross Section (max)		10 AWG (Solid, Stranded) per UL 1449 [1.5 mm ² (Solid)]

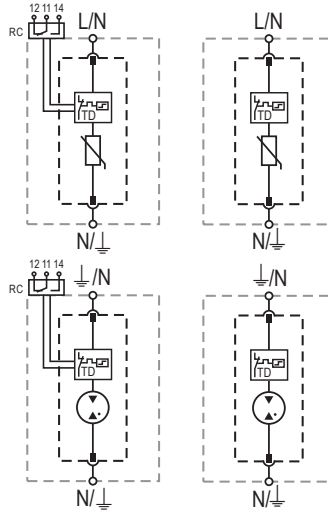
Internal Configuration

Legend

- N Neutral Conductor Terminal
- ⏚ PE/G Conductor Terminal
- RC Remote Contacts Terminal (Optional)
- TD Thermal Disconnect

UL Recognized Products

UL Listed Products



ProTube T2H-xxx-0+1(-R)

Order Information VDE Certified and UL Recognized Products

Order Code	40
ProTube T2H-xxx-0+1	59.0341
ProTube T2H-xxx-0+1-R (with remote contacts)	59.0342
ProTube T2H-40-P (plug)	59.0323

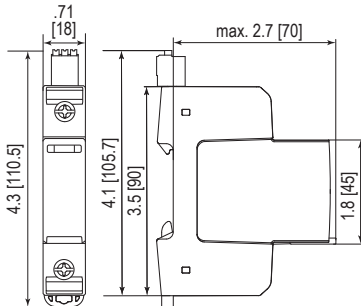
ProTec T2H-xxx-0+1-US(-R)

Order Information VDE Certified and Open Type 1 UL Listed Products

Order Code	40
ProTube T2H-xxx-0+1-US	59.B069
ProTube T2H-xxx-0+1-US-R (with remote contacts)	59.B070
ProTube T2H-40-P (plug)	59.0323

Dimensions & Packaging

inches [mm]



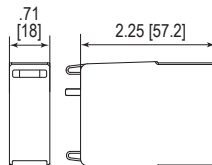
Complete Unit UL Recognized Products

ProTube T2H-xxx-0+1	40
Weight	pounds [grams] .244 [111]
ProTube T2H-xxx-0+1-R	40
Weight	pounds [grams] .259 [118]

Complete Unit UL Listed Products

ProTube T2H-xxx-0+1-US	40
Weight	pounds [grams] .244 [111]
ProTube T2H-xxx-0+1-US(-R)	40
Weight	pounds [grams] .259 [118]
DIN 43880 Dimension	1 TE / .71" [18]
Packaging Dimensions (HxWxL)	4.3 x 4.5 x 13.8" [109 x 115 x 352 mm]
Standard Order Quantity	12 Units

Spare Plug



Single Unit

ProTube T2H-40-P	40
Weight	pounds [grams] .093 [42]
DIN 43880 Dimension	1 TE / .71" [18]
Packaging Dimensions (HxWxL)	3.2 x 4.5 x 12" [83 x 116 x 305 mm]
Standard Order Quantity	24 Units