

Raycap's Heat Exchanger solutions ensure that active electronic equipment installed in outdoor cabinets are cooled properly, are isolated from dust and dirt and keep the noise level low. They provide excellent thermal performance, optimized controlling and have low maintenance requirements.



**Description**

Active equipment is very sensitive and needs to be protected against external environmental influences especially when installed outdoors. The Heat Exchangers are the perfect solutions to control the internal temperature of the cabinets and protect the active equipment from extreme external conditions.

The Heat Exchangers incorporate two fans creating separate internal and external air circuits. The outside air cannot infiltrate inside the cabinet and vice versa.

The Heat Exchanger provides a lot of features such as reliability, excellent thermal performance, optimized controlling and low maintenance requirements.

**Main Features**

*Cooling :*

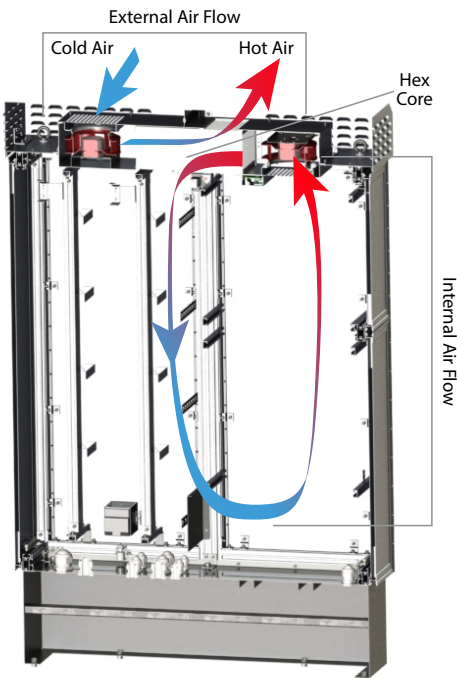
- The closed cooling concept protects equipment against external environmental influences.

*HEX Core and enclosure :*

- Closed cooling system leads to low noise level especially important in urban areas.
- The HEX core is made by aluminum resulting to higher cooling efficiency.
- The high performance fans contribute to long operational life and low maintenance requirements.
- The enclosure of the Heat Exchanger is made by aluminum providing light weight and solid construction. It can be easily adapted to the cabinet.
- Two mounting options dependent on the cabinet configuration.

*Fan Speed Controller :*

- The cooling capacity relates to the fan speed of the external and internal air loops.
- The controller incorporates programmable temperature and fan speed set points for higher cooling efficiency & lower noise levels.
- The controller contains integrated and external temperature sensors.
- The fan speed controller supports a friendly GUI for setting the different parameters.



## Raycap Cabinet Solutions

**RHEX-2868**

Heat Exchanger for Outdoor Cabinet for Active Equipment

**Technical Characteristics\*****Heat Exchanger**

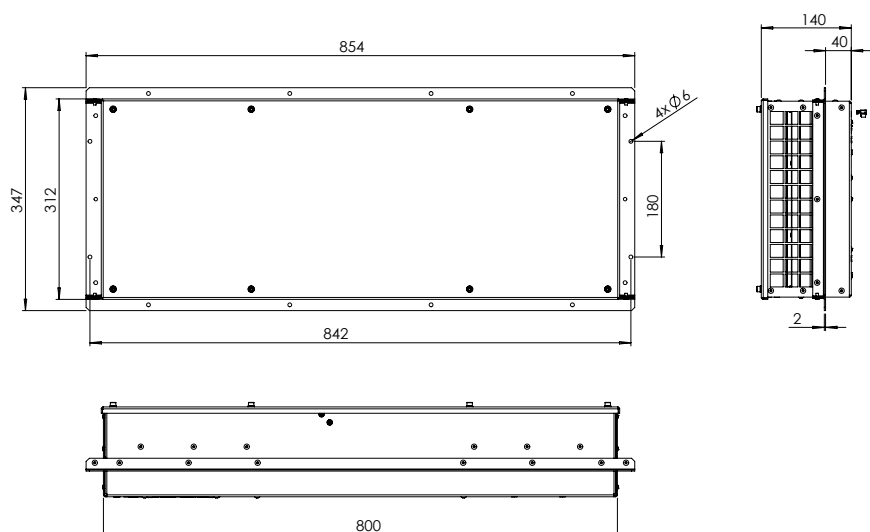
Supply voltage nominal	-48 VDC
Power consumption (max)	115W
Current (max)	2A
Operating Temperature range	-25°C to +70°C
Cooling capacity	max 61W/K (90% fan speed)
IP Rating (cabinet installation)	IP 54
Speed	3050 min <sup>-1</sup>
Noise Level	min 35dB (A) - max 60 dB (A)
Number of fans	2
Technical features	Control input 0-10 VDC/PWM, tach output
EMC Interface Immunity	EN 61000-4-1/4-2/4-3/4-4/4-5/4-6/4-8
EMC Interface Emission	EN 55022
Safety	EN 60950
Specification	TA Lärm
Housing Material	Aluminum 2mm
Mounting Position	Roof / Door
Dimensions (H x W x D)	854 x 347 x 140mm

**Fan Speed Controller**

Mounting position	Cabinet / Heat Exchanger Housing
Programmable fan speed control	Yes, included
Fan Failure Alarm	Yes, included
Temperature Alarm	Yes, included

**Product Drawings**

\* Modifications according to customer's requests are possible.

**Raycap**

Information provided in this document is subject to change without notice.