



Raycap

RaycapSTAX™
Modular Stackable Toppers



RaycapSTAX™ MODULAR POLE SHROUDS

Raycap's new 16", 18", and 22" diameter modular and stackable pole toppers are available in partially and fully concealed designs.

The unique stackable toppers are constructed from structural steel and aluminum following the American Institute of Steel Construction (AISC), and accommodate multiple radio types and antennae housed on top of Raycap steel poles or wooden poles in a 4G/5G cellular network.

The 16" and 18" partially concealed variants have steel structures and aluminum cutouts to accommodate the placement of radios. The fully-concealed 22" version has a steel structure with leaves made of InvisiWave®, Raycap's technology specifically engineered to be minimally invasive to 5G mmWave signals.

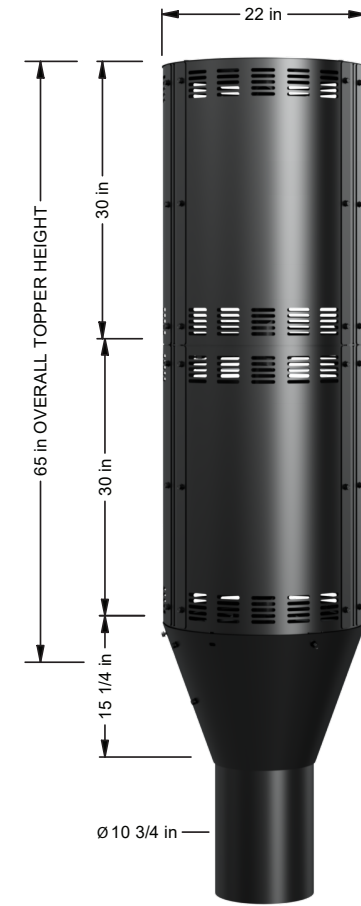
Note: Additional pole top mount hardware is required for use on wood poles.



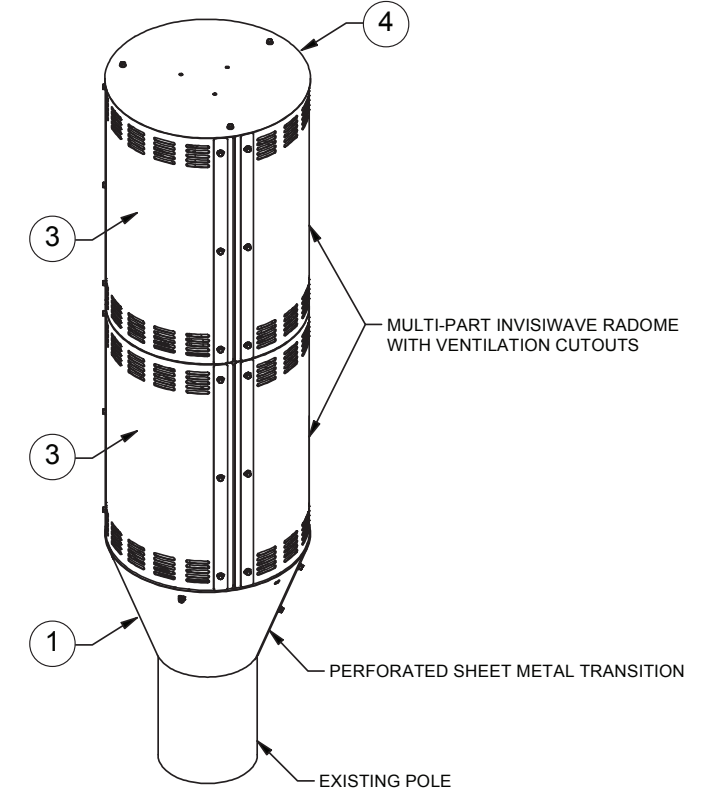
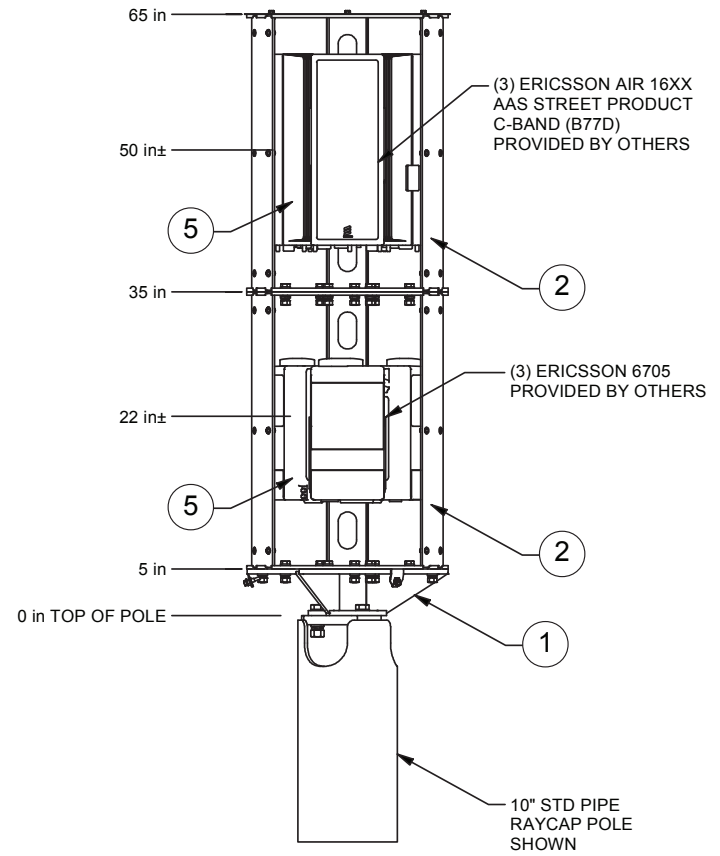
Stacks of up to three modules per pole are possible. The new designs accommodate site flexibility and facilitate the growing 5G and next generation network infrastructure buildout.

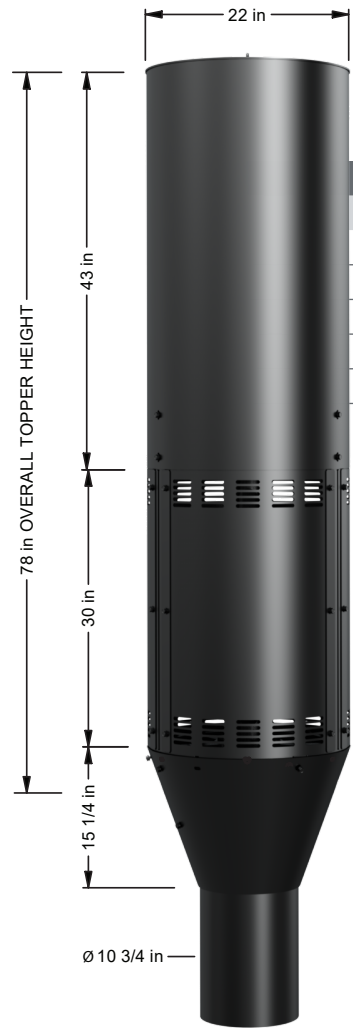
RaycapSTAX™ Color Options			
X:	Color	Color #	Color Name
1		6012	Black Green
2		7022	Umbra Grey
3		7013	Brown Grey
4		7040	Window Grey
5		7047	Telegrey 4
6		9011	Graphite Black
7		9005	Jet Black
8		7035	Light Grey
9		9010	Pure White
A		8028	Terra Brown
B		8019	Grey Brown
C		8011	Nut Brown
D		7006	Beige Grey
E		8014	Sepia Brown
F		1019	Grey Beige
G		9017	Traffic Black
H		7001	Silver Grey
J		7037	Dusty Grey
K		9002	Grey White
L		8017	Chocolate Brown
M		7045	Telegrey 1
N		7004	Signal Grey
P		xxxx	Transit Blue
Q		6009	Fir Green
R		7038	Agate Grey
S		1001	Beige
T		6028	Pine Green

RaycapSTAX™ Modular Topper (Configuration Example 1)



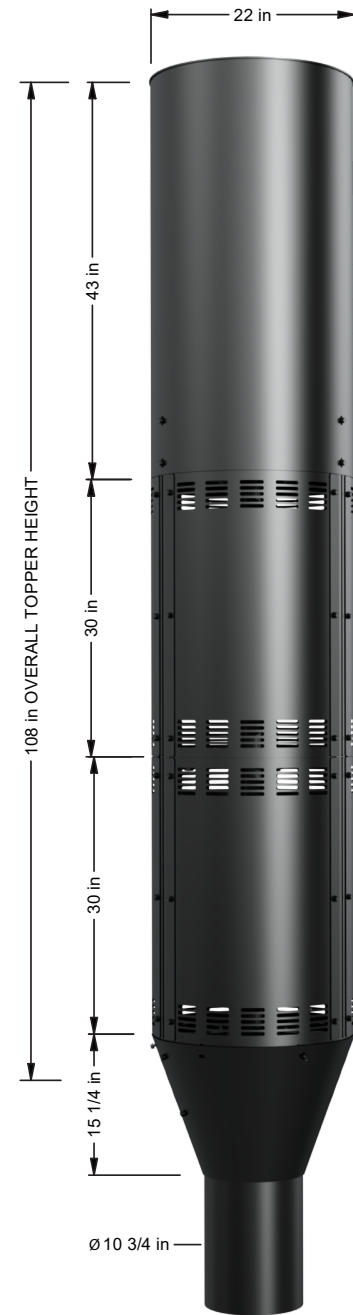
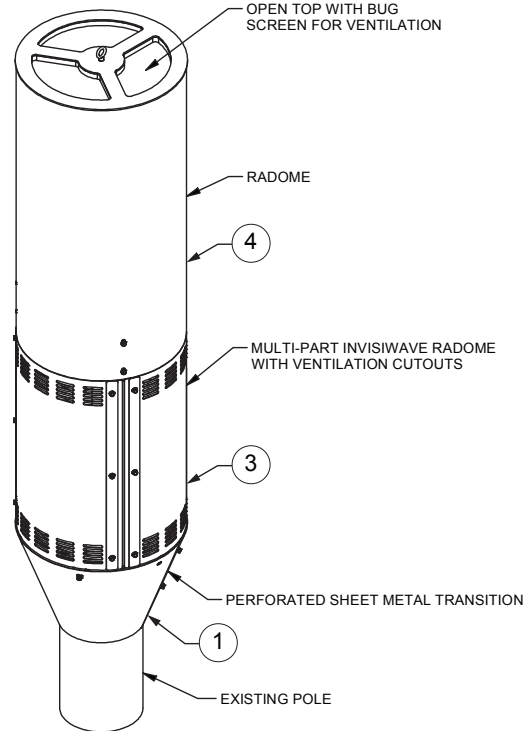
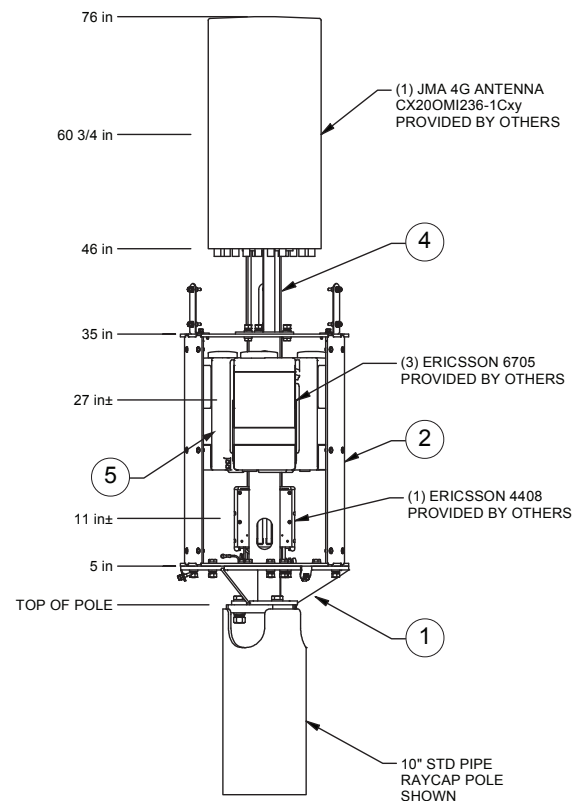
Parts List			
ITEM#	SAP#	QTY	DESCRIPTION
1	MTT-2210S1-002-X	1	TAPERED TRANSITION & POLE ADAPTOR
2	MTB-2230S-001-X	2	EQUIPMENT BAY WELDMENT
3	MTR-2230F-002-X	6	VENTED INVISIWAVE RADOME LEAF
4	MTC-22VC-001-X	1	PERFORATED VENTING CAP
5	1423-210	2	TRI RADIO CLAMPING MOUNT (NO TILT)





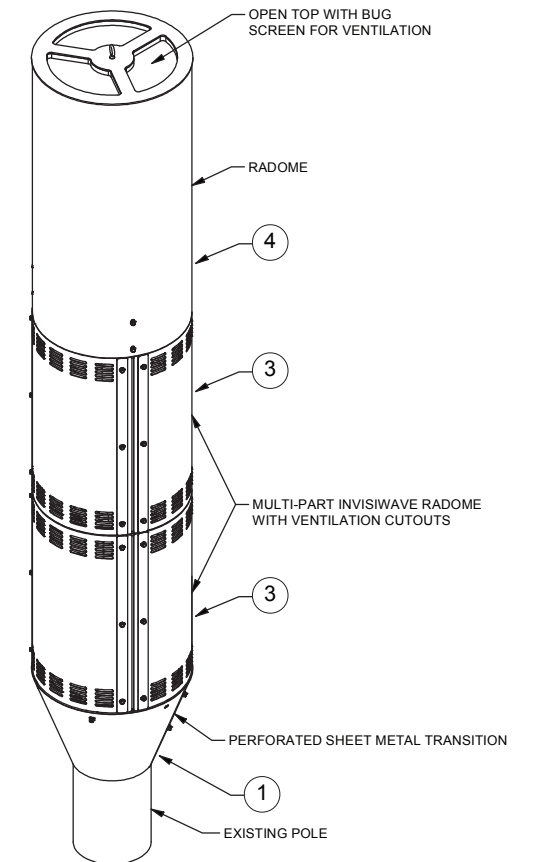
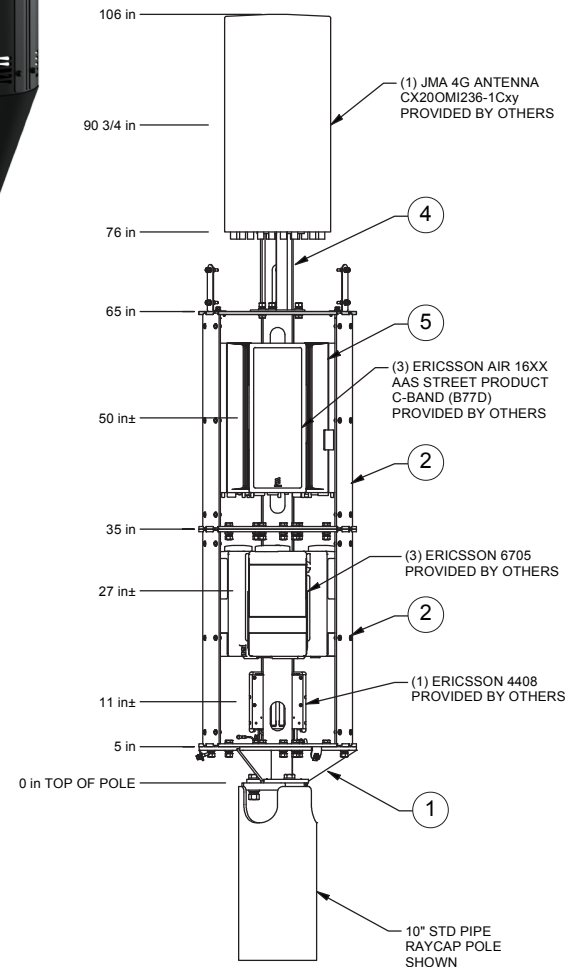
RaycapSTAX™ Modular Topper (Configuration Example 2)

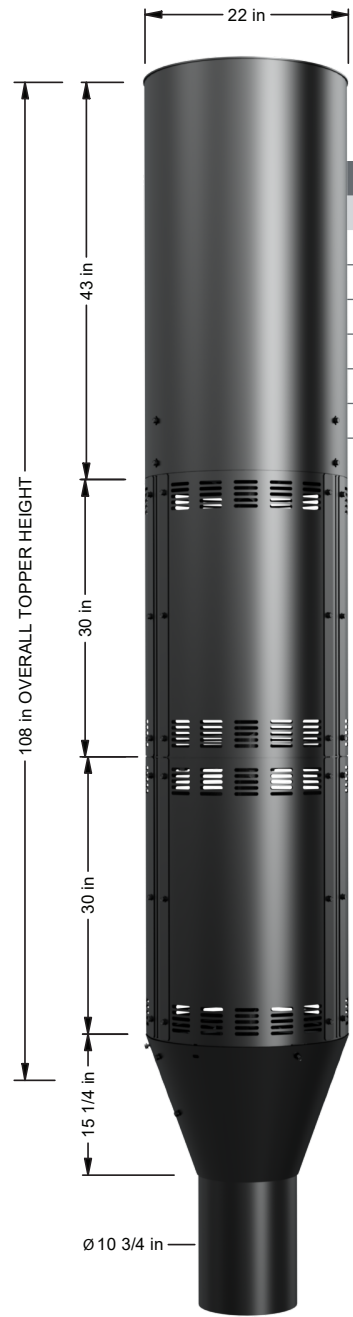
Parts List			
ITEM#	SAP#	QTY	DESCRIPTION
1	MTT-2210S1-002-X	1	TAPERED TRANSITION & POLE ADAPTOR
2	MTB-2230S-001-X	1	EQUIPMENT BAY WELDMENT
3	MTR-2230F-002-X	3	VENTED INVISIWAVE RADOME LEAF
4	MTC-2243F-001-X	1	OMNI MOUNT & RADOME KIT
5	1423-210	1	TRI RADIO CLAMPING MOUNT (NO TILT)



RaycapSTAX™ Modular Topper (Configuration Example 3)

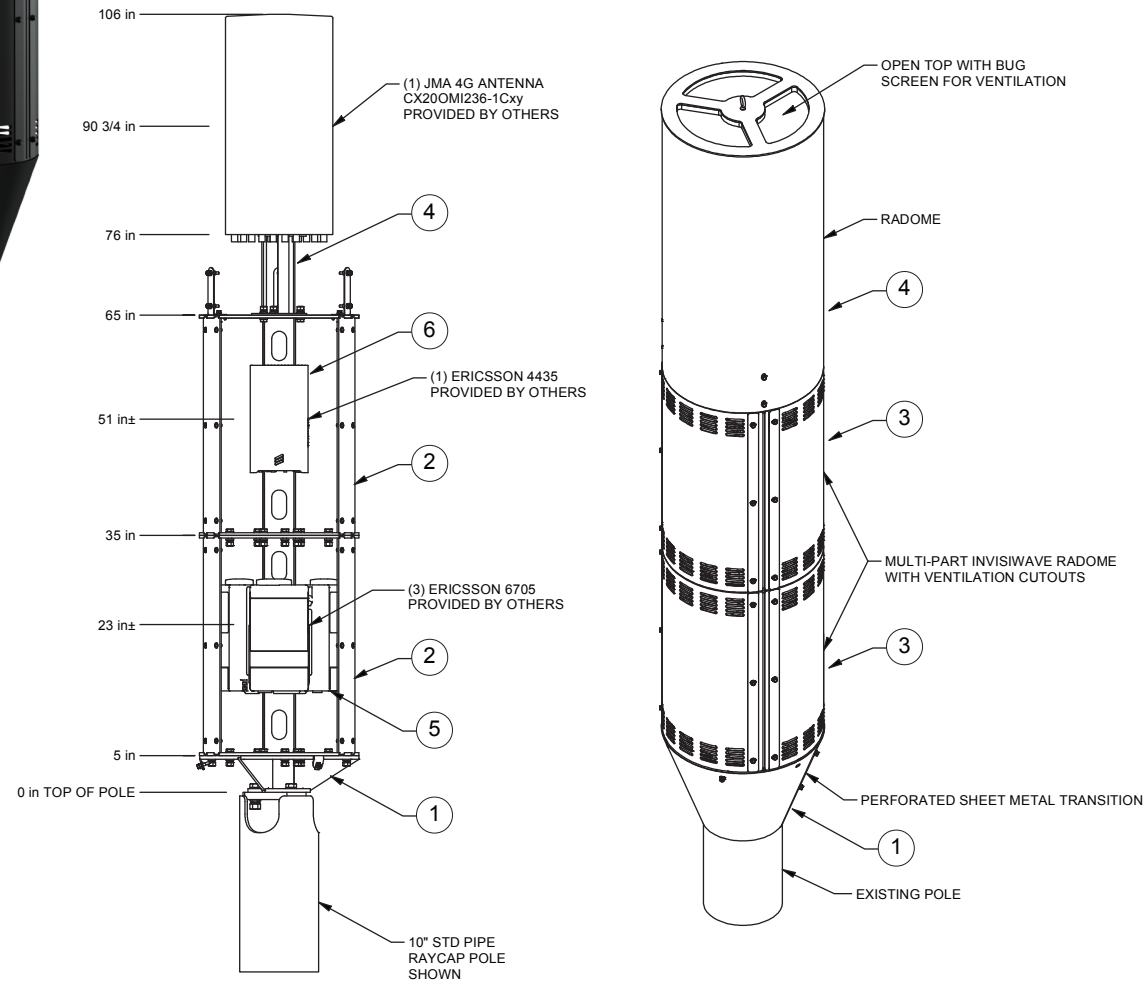
Parts List			
ITEM#	SAP#	QTY	DESCRIPTION
1	MTT-2210S1-002-X	1	TAPERED TRANSITION & POLE ADAPTOR
2	MTB-2230S-001-X	2	EQUIPMENT BAY WELDMENT
3	MTR-2230F-002-X	6	VENTED INVISIWAVE RADOME LEAF
4	MTC-2243F-001-X	1	OMNI MOUNT & RADOME KIT
5	1423-210	2	TRI RADIO CLAMPING MOUNT (NO TILT)





RaycapSTAX™ Modular Topper (Configuration Example 4)

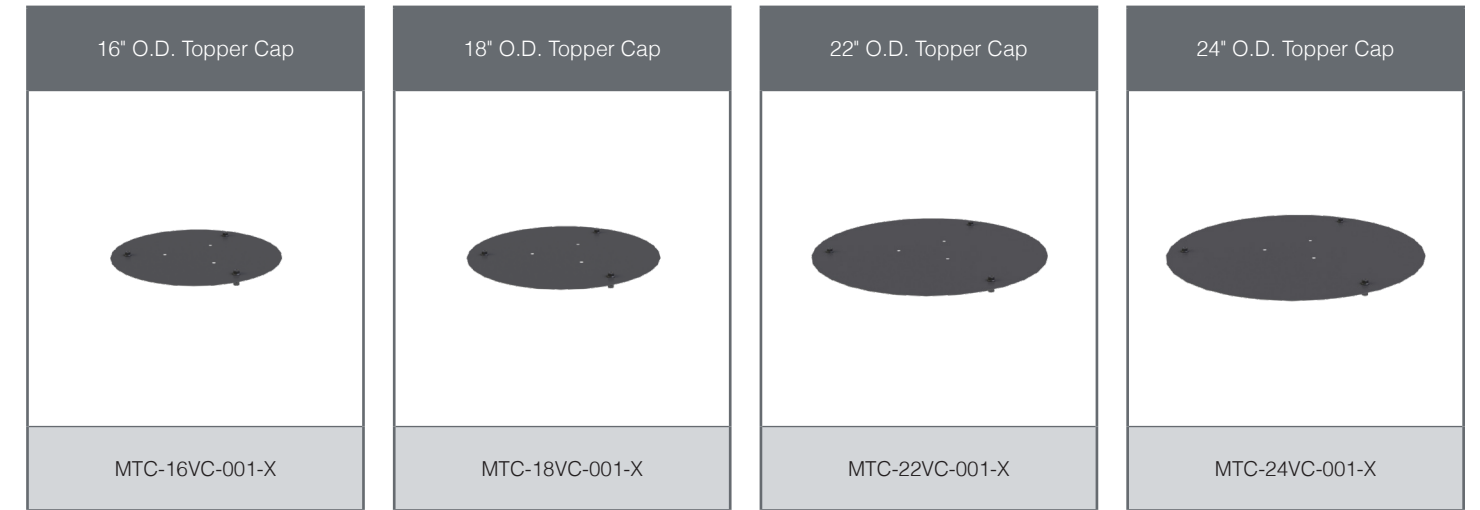
Parts List			
ITEM#	SAP#	QTY	DESCRIPTION
1	MTT-2210S1-002-X	1	TAPERED TRANSITION & POLE ADAPTOR
2	MTB-2230S-001-X	2	EQUIPMENT BAY WELDMENT
3	MTR-2230F-002-X	6	VENTED INVISIWAVE RADOME LEAF
4	MTC-2243F-001-X	1	OMNI MOUNT & RADOME KIT
5	1423-210	1	TRI RADIO CLAMPING MOUNT (NO TILT)
6	1423-200	1	DUAL RADIO CLAMPING MOUNT (NO TILT)



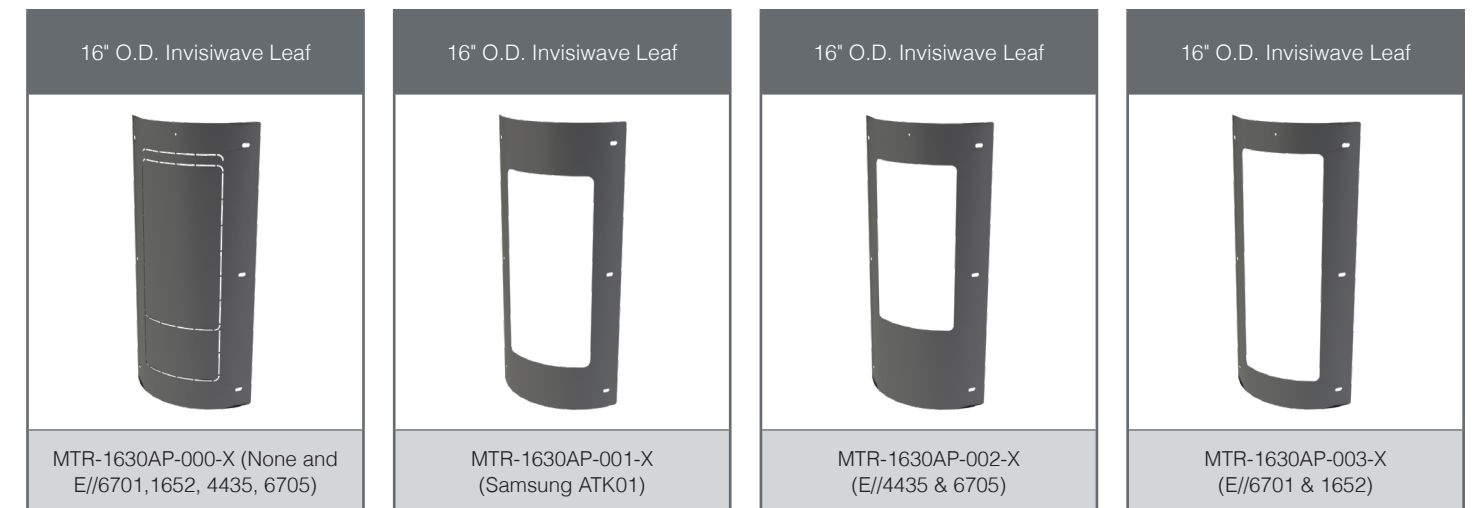
Steel, Modular Topper Bays






Aluminum, Perforated Topper Bay Cap



Partially Concealed, Aluminum Shrouds/Leaves




Partially Concealed, Aluminum Shrouds/Leaves





18" O.D. Invisiwave Leaf	18" O.D. Invisiwave Leaf	18" O.D. Invisiwave Leaf	18" O.D. Invisiwave Leaf
			
MTR-1830AP-000-X (None and E//6701,1652,4435, 6705)	MTR-1830AP-001-X (Samsung ATK01)	MTR-1830AP-002-X (E//4435 & 6705)	MTR-1830AP-003-X (E//6701 & 1652)

Fully Concealed, Modular Omni Concealments

*all MTCs below include StealthSkin Radomes

18" O.D. x 38" Tall Radome	18" O.D. x 50" Tall Radome	18" O.D. x 62" Tall Radome
		
MTC-1838F-001-X	MTC-1850F-001-X	MTC-1862F-001-X

Fully Concealed, IW Shrouds/Leaves

22" O.D. Invisiwave Leaf	22" O.D. Invisiwave Leaf	24" O.D. Invisiwave Leaf	24" O.D. Invisiwave Leaf
			
MTR-2230F-001-X (No Ventilation)	MTR-2230F-002-X (Ventilation)	MTR-2430F-001-X (No Ventilation)	MTR-2430F-002-X (Ventilation)

Fully Concealed, Modular Omni Concealments

*all MTCs below include StealthSkin Radomes

22" O.D. x 38" Tall Radome	22" O.D. x 43" Tall Radome	22" O.D. x 50" Tall Radome	22" O.D. x 62" Tall Radome
			
MTC-2238F-001-X	MTC-2243F-001-X	MTC-2250F-001-X	MTC-2262F-001-X




Fully Concealed, Modular Omni Concealments

*all MTCs below include StealthSkin Radomes

16" O.D. x 38" Tall Radome	16" O.D. x 50" Tall Radome	16" O.D. x 62" Tall Radome
		
MTC-1638F-001-X	MTC-1650F-001-X	MTC-1662F-001-X

Fully Concealed, Modular Omni Concealments

*all MTCs below include StealthSkin Radomes

24" O.D. x 38" Tall Radome	24" O.D. x 50" Tall Radome	24" O.D. x 62" Tall Radome
		
MTC-2438F-001-X	MTC-2450F-001-X	MTC-2462F-001-X

Partially Concealed, Modular Omni Concealments

*all MTCs below include Aluminum Shroud but do not include perforated caps



Modular Topper Transitions

*all MTTs below include Aluminum Shroud



Capped, Partially Concealed, Modular Omni Concealments

*all MTCs below include Aluminum Shroud and include perforated caps



Modular Topper Transitions

*all MTTs below include Aluminum Shroud



Modular Topper Transitions

*all MTTs below include Aluminum Shroud



Modular Topper Transitions

*all MTTs below include Aluminum Shroud



Modular Topper Transitions

*all MTTs below include Aluminum Shroud

24" O.D. Transition (10" pole)	24" O.D. Transition (12" pole)	24" O.D. Transition (14" pole)	24" O.D. Transition (18" pole)
MTT-2410S1-001-X (Ventilated)	MTT-2412S1-001-X (Ventilated)	MTT-2414S1-001-X (Ventilated)	MTT-2418S1-001-X (Ventilated)

Brackets / Radio Mounts

Universal 3-Radio, 5-10deg Downtilt	Universal 3-Radio, Fixed	Universal 2-Radio, Fixed (Pending 14/19)
1423-211	1423-210	1423-200

Active Cooling

22" & 24" Fans Speed Controller Assembly)	Samsung ATK01 Fan Assembly
RMK-FSC1-STAX	RMK-FAN-ATK01

InvisiWave is a registered trademark.
© 2024 Raycap All rights reserved.

G09-00-220 240416