

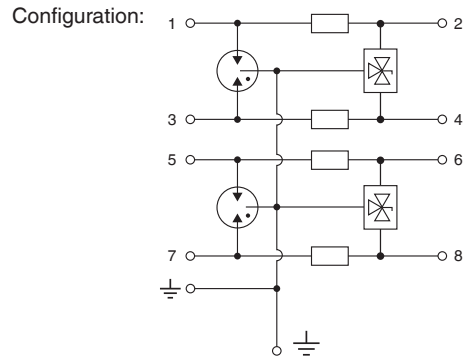
# DATA SHEET

## Modular SPD for Two Pair RayDat SLH-4 Series D1 • C1 • C2 • C3

\*UL Listed, CSA Certified



IEC/EN Category: D1/C1/C2/C3  
Surge Discharge Ratings:  $I_n$ : 10 kA,  $I_{max}$ : 20 kA,  $I_{imp}$ : 5 kA  
Voltages: 5, 12\*, 15, 24\*, 30\*, 48, 60 V DC  
Frequency Range: 30 MHz  
Housing: Modular Design  
Compliance: IEC/EN 61643-21  
UL 497B 4th Edition  
CSA C22.2 No. 226.92



### Technical Data

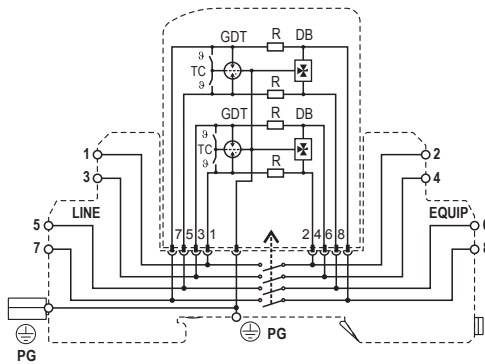
SLH-4 Series		5	12*	15	24*	30*	48	60
<b>Electrical</b>								
Lines Protected		2 (4 Conductors)						
Nominal Operating Voltage (DC)	$U_n$	5V	12V	15V	24V	30V	48V	60V
Maximum Continuous Operating Voltage (DC)	$U_c$	6V	15V	18V	28V	33V	52V	64V
Rated Load Current at 25°C	$I_L$	1 A						
C2 Nominal Discharge Current (8/20µs)	$I_n$	10 kA						
Maximum Discharge Current (8/20µs)	$I_{max}$	20 kA						
D1 Impulse Current (10/350µs)	$I_{imp}$	5 kA						
Residual Voltage at 5kA (8/20µs)	$U_{res}$	<22V	<42V	<48V	<70V	<80V	<140V	<160V
Rated Spark Overvoltage	(Line-Ground)	7-10V	17-21V	21-25V	31-37V	36-44V	57-69V	68-84V
	(Line-Line)	7-10V	17-21V	21-25V	31-37V	36-44V	57-69V	68-84V
Response Time Overvoltage Protection	$t_A$	<1 ns						
Thermal Protection		Yes						
Insulation Resistance of the Protection	$R_{iso}$	≥ 6 KΩ	≥ 15 MΩ	≥ 18 MΩ	≥ 28 MΩ	≥ 33 MΩ	≥ 52 MΩ	≥ 64 MΩ
Serial Resistance per Path	R	1.6-2.0Ω						
Transverse Capacitance	C	50 pF						
Cut-off Frequency	$f_G$	30 MHz						
<b>Mechanical</b>								
Temperature Range		-40 °F to +176 °F [-40 °C to +80 °C]						
Terminal Cross Section Multi-strand (max.)		12 AWG [4 mm <sup>2</sup> , 2.5 mm <sup>2</sup> Q Version]						
Terminal Screw Torque		4.5 lbf-in [0.5 Nm]						
Degree of Protection IEC/EN 60529		IP20 (built-in)						
Housing Material		Thermoplastic; Grey; Extinguishing Degree V-0						
Mounting IEC/EN 60715		35mm DIN Rail						
<b>Order Information</b>								
Order Code		5	12*	15	24*	30*	48	60
SLH-4-xxx		7086.47	7086.48	7086.49	7086.50	7082.78	7086.51	7086.52
SLH-4-xxxQ (Quick Connect Terminals)		7085.13	7085.14	7085.15	7085.16	7085.17	7085.18	7085.19
SLH-4-xxxM (module)		7086.54	7086.55	7086.56	7086.57	7082.79	7086.58	7086.59

# RayDat SLH-4 Series

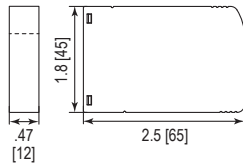
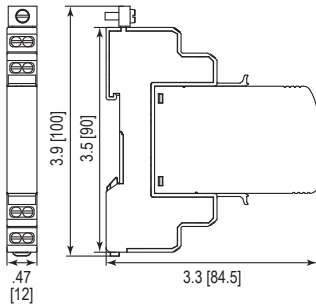
## Internal Configuration

### Legend

- DB Diode Block
- GDT Gas Discharge Tube
- PG Protective Grounding
- R Resistor
- TC Thermo-clip



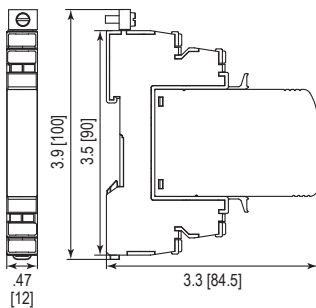
## Dimensions & Packaging



SLH-4 Series	5	12	15	24	30	48	60
<b>Dimensions</b>							
Weight per Unit	2.32 oz [66 g]						
Dimensions DIN 43880	2/3 TE						
Packaging Dimensions (Single Unit)	3.4 x .59 x 4" [87 x 15 x 102 mm]						
Minimum Package Quantity	15 pieces						

SLH-4-xxxM Series	5	12	15	24	30	48	60
<b>Dimensions</b>							
Weight per Unit	1.05 oz [30 g]						
Packaging Dimensions (Single Unit)	3.4 x .59 x 4" [87 x 15 x 102 mm]						
Minimum Package Quantity	15 pieces						

## Quick Connect Terminals



SLH-4-xxxQ Series	5	12	15	24	30	48	60
<b>Dimensions</b>							
Weight per Unit	2.32 oz [66 g]						
Dimensions DIN 43880	2/3 TE						
Packaging Dimensions (Single Unit)	3.4 x .59 x 4" [87 x 15 x 102 mm]						
Minimum Package Quantity	15 pieces						

inches  
[mm]

Information contained in this document is subject to change at any time without notice.

