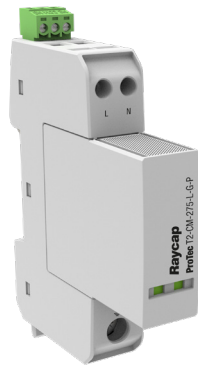


DATA SHEET

Pluggable Multi-pole SPD ProTec T2-CM-1+1-L-E(-R) Class II • Class III • Type 2 • Type 3



Location of Use: Sub-distribution Boards
 Network Systems: TT, TN-S
 Mode of Protection: L-N, N-PE
 IEC/EN Category: Class II+III / Type 2+3
 Housing: Modular Design
 Compliance: IEC 61643-11:2011
 EN 61643-11:2012+A11:2018

Technical Data

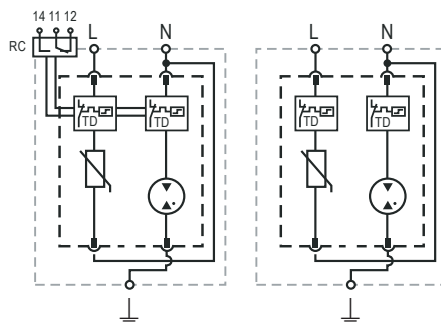
ProTec T2-CM-xxx-1+1-L-E(-R)		275	440
Electrical			
Nominal AC Voltage (50/60 Hz)	U_o	230V	230V
Maximum Continuous Operating Voltage (AC)	(L-N) U_c	275V	440V
	(N-PE) U_c	255V	255V
Nominal Discharge Current (8/20 μ s)	(L-N)/(N-PE) I_n	10 kA/20 kA	
Maximum Discharge Current (8/20 μ s)	(L-N)/(N-PE) I_{max}	20 kA/40 kA	
Voltage Protection Level for Type 2+3	(L-N) U_p	1200V	1700V
	(N-PE) U_p	1500V	1500V
Voltage Protection Level for Type 3 only	(L-N) U_p	1000V	1400V
	(N-PE) U_p	1000V	1000V
Residual Voltage at 5 kA (8/20 μ s)	(L-N) U_{res}	1000V	1500V
	(N-PE) U_{res}	300V	300V
Open Circuit Voltage of Combination Wave Generator (1.2/50 μ s)	(L-N)/(N-PE) U_{oc}	6 kV/6 kV	
Short Circuit Current of Combination Wave Generator (8/20 μ s)	(L-N)/(N-PE) I_{ow}	3 kA/3 kA	
Follow Current Interrupt Rating	(N-PE) I_{fi}	100 A	
Response Time	(L-N)/(N-PE) t_A	< 25 ns / < 100 ns	
Overcurrent Protection (max)		100 A gG	
Short-Circuit Current Rating	I_{SCCR}	25 kA	
TOV Withstand 5s	(L-N) U_T	335V	440V
TOV 120min	(L-N) $U_T / mode$	440V / Safe Fail	440V / Withstand
TOV Safe fail 200ms	(N-PE) U_T	1200V / 300A	
Number of Ports		1	
Mechanical & Environmental			
Temperature Range	T_a	-40 °C to +85 °C	
Permissible Humidity	RH	5%...95%	
Altitude (max)		2000 m	
Terminal Screw Torque	(L, N) M_{max}	1.2 Nm	
	(PE) M_{max}	2.0 Nm	
Conductor Cross Section (max)	(L, N)	10 mm ² (Solid, Stranded) / 6 mm ² (Flexible)	
	(PE)	35 mm ² (Solid, Stranded) / 25 mm ² (Flexible)	
Mounting		35 mm DIN Rail, EN 60715	
Degree of Protection		IP 20B (built-in)	
Thermal Protection		Yes	
Fault Indication		Red Flag	
Remote Contacts (RC)		Optional	
RC Switching Capacity		AC: 250/0.5A; DC: 250V/0.1A, 125A/0.2A, 75V/0.5A	
RC Terminal Cross Section (max)		1.5 mm ²	
RC Terminal Screw Torque	M_{max}	0.4 Nm	
Order Information			
Order Code		275	440
ProTec T2-CM-xxx-1+1-L-E		515 596	515 661
ProTec T2-CM-xxx-1+1-L-E-R (with remote contact)		515 597	515 662
ProTec T2-CM-xxx-L-G-E-P (plug)		515 598	515 607

ProTec T2-CM 1+1-L-E(-R)

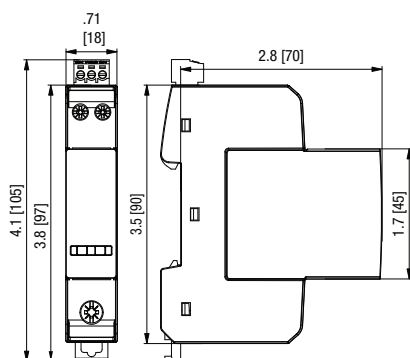
Internal Configuration

Legend

- L Line Conductor Terminal
- N Neutral Conductor Terminal
- ⏏ PE Conductor Terminal
- RC Remote Contacts Terminal
- TD Thermal Disconnecter



Complete Unit

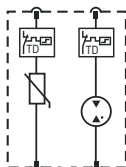


Complete Unit Dimensions & Packaging

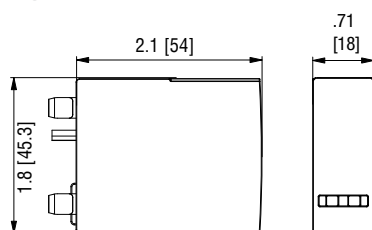
		275	440
ProTec T2-CM-xxx-1+1-L-E			
Weight	pounds [grams]	.304 [138]	.131 [142]
ProTec T2-CM-xxx-1+1-L-E-R			
Weight	pounds [grams]	.313 [142]	.321 [146]
DIN 43880 Dimension		1 TE / .70" [18 mm]	
Packaging Dimensions (H x W x L)		3.2 x 1.7 x 4.6" [83.5 x 44 x 117 mm]	
Standard Order Quantity		15 Units	

Plug Internal Configuration

ProTec T2-CM-xxx-L-G-E-P



Spare plug



Single Unit Dimensions & Packaging

		275	440
ProTec T2-CM-xxx-L-G-E-P			
Weight	pounds [grams]	.144 [65.5]	.151 [68.5]
DIN 43880 Dimension		1 TE / .70" [18 mm]	
Packaging Dimensions (H x W x L)		2.5 x 1.8 x 8.7" [64 x 45 x 220 mm]	
Standard Order Quantity		24 Units	