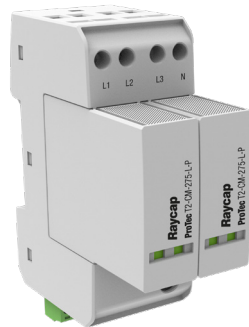


# DATA SHEET

## Pluggable Multi-pole SPD ProTec T2-CM-4+0-L-E(-R) Class II • Class III • Type 2 • Type 3



Location of Use: Sub-distribution Boards  
 Network Systems: TN-S, TN-C, IT\* (only 440)  
 Mode of Protection: L-PE, L-PEN, N-PE  
 IEC/EN Category: Class II+III / Type 2+3  
 Housing: Modular Design  
 Compliance: IEC 61643-11:2011  
 EN 61643-11:2012+A11:2018

### Technical Data

ProTec T2-CM-xxx-4+0-L-E(-R)

275

440

#### Electrical

		275	440
Nominal AC Voltage (50/60 Hz)	$U_o$	230V	230V
Maximum Continuous Operating Voltage (AC)	$U_c$	275V	440V
Nominal Discharge Current (8/20 $\mu$ s)	$I_n$		10 kA
Maximum Discharge Current (8/20 $\mu$ s)	$I_{max}$		20 kA
Voltage Protection Level for Type 2+3	$U_p$	1200V	1700V
Voltage Protection Level for Type 3 only	$U_p$	1000V	1400V
Residual Voltage at 5kA (8/20 $\mu$ s)	$U_{res}$	1000V	1500V
Open Circuit Voltage of Combination Wave Generator (1.2/50 $\mu$ s)	$U_{oc}$		6 kV
Short Circuit Current of Combination Wave Generator (8/20 $\mu$ s)	$I_{cw}$		3 kA
Response Time	$t_A$		< 25 ns
Overcurrent Protection (max)			100 A gG
Short-Circuit Current Rating	$I_{SCCR}$		25 kA
TOV Withstand 5s	$U_T$	335V	440V
TOV 120min	$U_T / mode$	440V / Safe Fail	440V / Withstand
Number of Ports			1

#### Mechanical & Environmental

Temperature Range	$T_a$	-40 °C to +85 °C	
Permissible Humidity	RH	5%...95%	
Altitude (max)		2000 m	
Terminal Screw Torque	(L, N) $M_{max}$	1.2Nm	
	(PE) $M_{max}$	2.0Nm	
Conductor Cross Section (max)	(L, N)	10 mm <sup>2</sup> (Solid, Stranded) / 6 mm <sup>2</sup> (Flexible)	
	(PE)	35 mm <sup>2</sup> (Solid, Stranded) / 25 mm <sup>2</sup> (Flexible)	
Mounting		35 mm DIN Rail, EN 60715	
Degree of Protection		IP 20B (built-in)	
Thermal Protection		Yes	
Fault Indication		Red Flag	
Remote Contacts (RC)		Optional	
RC Switching Capacity		AC:250V/0.5A; DC: 250V/0.1A, 125A/0.2A, 75V/0.5A	
RC Terminal Cross Section (max)		1.5 mm <sup>2</sup>	
RC Terminal Screw Torque	$M_{max}$	0.4Nm	

#### Order Information

Order Code	275	440
ProTec T2-CM-xxx-4+0-L-E	515 603	515 605
ProTec T2-CM-xxx-4+0-L-E-R (with remote contact)	515 604	515 606
ProTec T2-CM-xxx-L-E-P (plug)	515 667	515 668

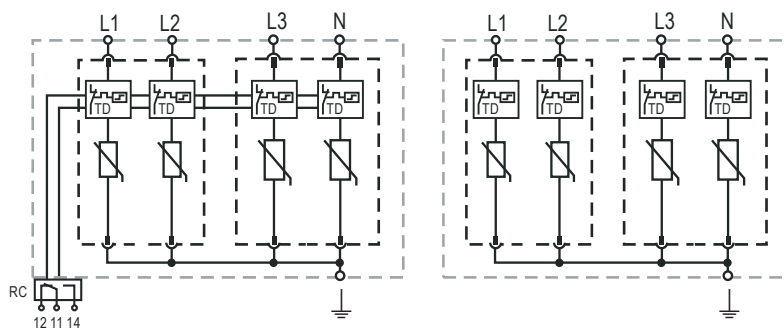
\*Only applicable for SPD with  $U_c$  440V to IT power systems where the earth on the distribution transformer is interconnected with the earth on the consumer side (RE=RA in Figure 44.A1 of IEC 60364-4-44:2018).

## ProTec T2-CM 4+0-L-E(-R)

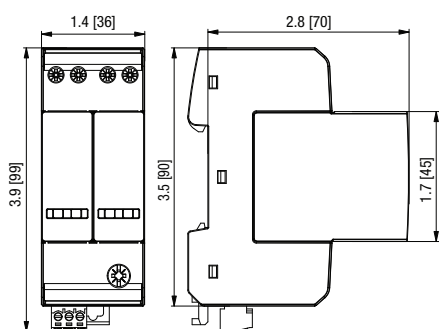
### Internal Configuration

#### Legend

- L Line Conductor Terminal
- N Neutral Conductor Terminal
- ⏚ PE Conductor Terminal
- RC Remote Contacts Terminal
- TD Thermal Disconnect



### Complete Unit

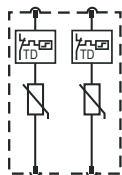


#### Complete Unit Dimensions & Packaging

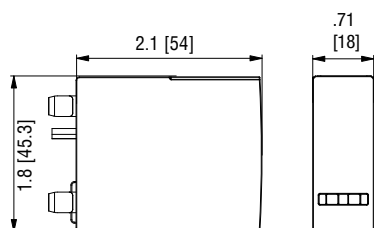
		275	440
ProTec T2-CM-xxx-4+0-L-E			
Weight	pounds [grams]	.618 [281]	.654 [297]
ProTec T2-CM-xxx-4+0-L-E-R			
Weight	pounds [grams]	.632 [287]	.667 [303]
DIN 43880 Dimension		2 TE / 1.42" [36 mm]	
Packaging Dimensions (H x W x L)		3.2 x 1.7 x 4.6" [83.5 x 44 x 117 mm]	
Standard Order Quantity		8 Units	

### Plug Internal Configuration

#### ProTec T2-CM-xxx-L-E-P



### Spare plug



#### Single Unit Dimensions & Packaging

		275	440
ProTec T2-CM-xxx-L-E-P			
Weight	pounds [grams]	.173 [78.5]	.190 [86.5]
DIN 43880 Dimension		1 TE / .70" [18 mm]	
Packaging Dimensions (H x W x L)		2.5 x 1.8 x 8.7" [64 x 45 x 220 mm]	
Standard Order Quantity		24 Units	