

AC Surge Protection Solutions

Surge Blox™ 200 Modular B Series

B82XXR...XRR • BT2XXR...XRR • B82XHR • BT2XHR • B82XJR • BT2XJR • B82XPR • BT2XPR
 B84XXR...XRR • BT4XXR...XRR • B84XHR • BT4XHR • B84XJR • BT4XJR • B84XPR • BT4XPR

The Surge Blox™ 200 circuit design and modular assembly provides the optimal surge suppression solution. Modules may be installed individually or vertically stacked to upgrade for maximum protection coverage. Units can be ordered with or without ground and alarm feature.

ACData®



Features

- UL 1449 5th Edition Listed
- Common mode suppression available (-G or -GNA models)
- Thermal fused metal oxide varistor (MOV) and/or silicon avalanche diode (SAD) for MOV/SAD suppression technology
- Audible, three distinct light-emitting diodes (LED) visual and remote alarm protection status indicators
- Type 4X fiberglass outdoor rated enclosures
- Surge current capacity > 200kA 8/20 per phase
- Increase surge protection with stacking modular design
- Optional filtering module to meet UL 1283 Listing

Benefits

Surge Blox 200 series modular design is field upgradable and features easy-to-replace independently alarmed components in a variety of service voltages, enclosure types and sizes. Partial failure notification allows for timely component repair without compromising protection, while damaged components can be replaced without suppressor failure

Basic Applications

- Light-industrial
- Other commercial applications

Surge Blox is a trademark of Raycap

ACData is a registered trademark of Raycap

© 2024 Raycap All rights reserved.

G02-00-009 240515

Raycap

www.raycap.com

SPECIFICATIONS

AC Surge Protection Solutions
Surge Blox™ 200 Modular B Series

B82XXR...XRR • BT2XXR...XRR • B82XHR • BT2XHR • B82XJR • BT2XJR • B82XPR • BT2XPR
 B84XXR...XRR • BT4XXR...XRR • B84XHR • BT4XHR • B84XJR • BT4XJR • B84XPR • BT4XPR



Electrical

Models B8 Series (Below Panel Mount)	B82XXR	B82XRR	B82XHR	B82XJR	B82XPR
Models BT Series (Above Panel Mount)	BT2XXR	BT2XRR	BT2XHR	BT2XJR	BT2XPR
Operating AC Voltage	1φ 240/120V 3W	1φ 240/120V 3W	1φ 240/120V 3W	1φ 240/120V 3W	1φ 240/120V 3W
Models B8 Series (Below Panel Mount)	B84XXR	B84XRR	B84XHR	B84XJR	B84XPR
Models BT Series (Above Panel Mount)	BT4XXR	BT4XRR	BT4XHR	BT4XJR	BT4XPR
Operating AC Voltage	3φ 208/120V 4W	3φ 208/120V 4W	3φ 208/120V 4W	3φ 208/120V 4W	3φ 208/120V 4W
Surge Protection Device (SPD) Type to UL	Type 2	Type 2	Type 2	Type 2	Type 2
Maximum Continuous Operating AC Voltage (MCOV):					
Line-Neutral	140V	140V	140V	140V	140V
Line-Line	280V	280V	280V	280V	280V
Nominal Discharge Current [I _n]	20 kA	20 kA	20 kA	20 kA	20 kA
Maximum Surge Current Capacity [I _{max}]:					
MOV	200 kA	>200 kA	200 kA	200 kA	200 kA
SAD	-	-	10 kA	20 kA	50 kA
Fault Current Rating	65 kA with 200 Amp breaker	65 kA with 200 Amp breaker	65 kA with 200 Amp breaker	65 kA with 200 Amp breaker	65 kA with 200 Amp breaker
Voltage Protection Rating (VPR):					
Line-Neutral	800V	800V	800V	700V	700V
Line-Line	1200V	1200V	1000V	1000V	900V
Suppression Technology (MOV and/or SAD)	MOV	MOV	MOV/SAD	MOV/SAD	MOV/SAD

Mechanical

Connection Terminal (Alarm) Hardwired	#22 - #16 AWG [0.34 mm ² - 1.5 mm ²]
Connection Terminal (Suppression) Hardwired	#14 - #2/0 AWG [2.5 mm ² - 70 mm ²]
Operation Temperature (°C)	-20° C to +80° C
Enclosure Type (Outdoor)	Type 4X Fiberglass
Enclosure Dimension (L x W x H)	13.88" x 15.52" x 6.24" [352.55 x 394.21 x 158.49 mm]
Weight	18.0 lbs [8.16 kg]

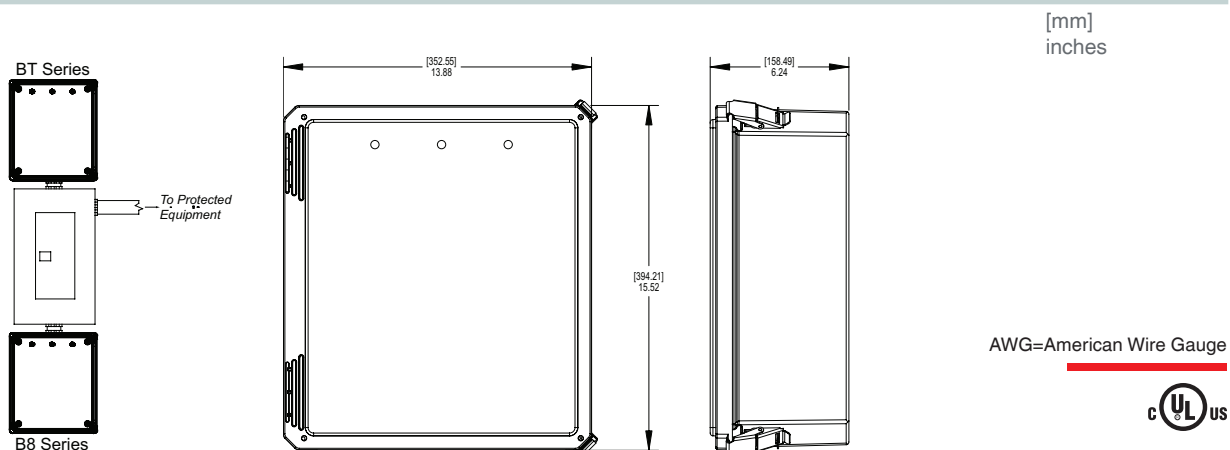
Optional Accessories

Surge Counter (Factory Installed)	Specify Model Number '-C'				
Filter Module 'B' (Factory Installed)	B82XBR & BT2XBR	B82BRR & BT2BRR	B82BHR & BT2BHR	B82BJR & BT2BJR	B82BPR & BT2BPR
	B84XBR & BT4XBR	B84BRR & BT4BRR	B84BHR & BT4BHR	B84BJR & BT4BJR	B84BPR & BT4BPR

Standards Compliance & Certifications

UL 1283 5 th Edition: 2009 (with filter module), UL 1449 5 th Edition: 2009, IEEE C62.41.2: 2002	
Certification	UL
Standards	ANSI, IEEE, NEC

Product Diagram



www.raycap.com