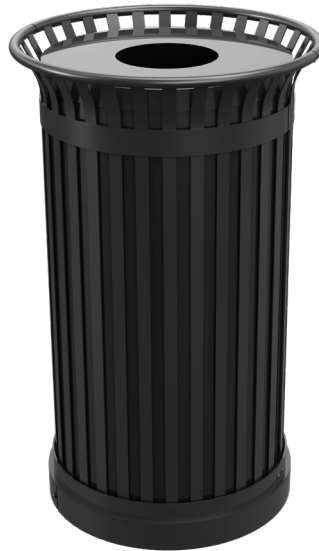


Small Cell Concealment Products **4G Cabinet Concealment Solutions**

STEALTH Concealment

RPE-2001842-00 • RPE-2000762-00

As the preparation for 5G networks and future technology networks mounts, the installation of small cell infrastructure at street level and on rooftops requires both form and function. Raycap has developed its fully-integrated STEALTH small cell cabinet products to meet the needs of carriers and municipalities.



RPE-2001842-00



RPE-2000762-00

Description

Raycap 4G cabinet solutions feature an aesthetic, ergonomic, and modular design. Raycap's design is rigid enough to support a variety of equipment but is light weight and allows heat dissipation.

Features

- Two piece clam shell design for easy access to equipment
- Supports several high power radios
- Active cooling included for proper ventilation
- Mounting Brackets included to support easy installation
- Small Trash bin included
- Optional Raycap Disconnect can be included
- Many color finishes available

SPECIFICATIONS

Small Cell Concealment Products

4G Cabinet Concealment Solutions

STEALTH Concealment

RPE-2001842-00 • RPE-2000762-00

Product Information

| | | |
|--------------|----------------|----------------|
| Model Number | RPE-2001842-00 | RPE-2000762-00 |
|--------------|----------------|----------------|

Environmental

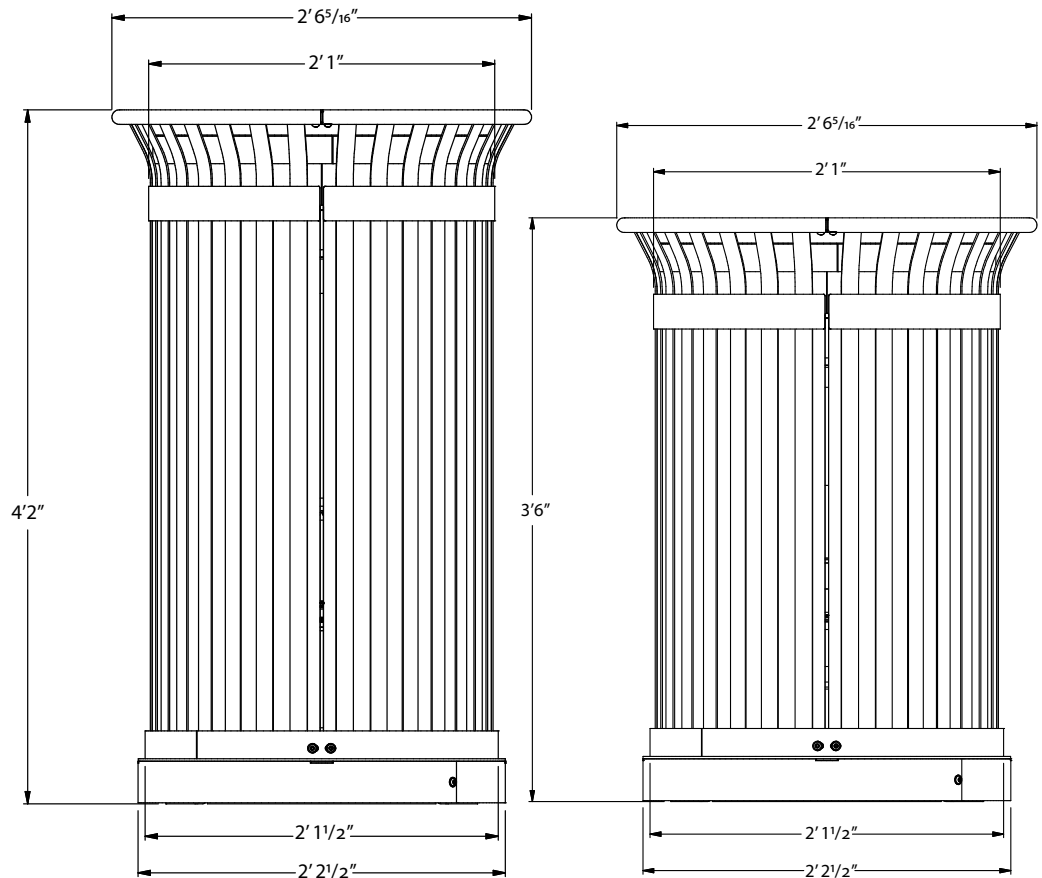
| | | |
|----------------------------|---|--|
| Operating Temperature | -20°C to +46°C | |
| Storage Temperature | -25°C to +55°C (according to ETSI 300 019-1-1, Class 1.2) | |
| Transportation Temperature | -40°C to +70°C (according to ETSI 300 019-1-2, Class 2.3) | |

Mechanical

| | | |
|--------------------|---|-------------------------|
| Weight | ~300 lbs (fully loaded) | ~300 lbs (fully loaded) |
| Dimensions (W x H) | 2' 6-5/16" x 4'-2" | 2' 6-5/16" x 3'-6" |
| Construction | Mast Support: Stainless Steel / Shroud: Aluminum | |
| Surface | Powder coated, 7035 (Other color options available) | |
| Locking Mechanism | (1x) Spring Loaded Safety Lock + (2) Lockout Padlock Hasp | |

Product Diagram

inches

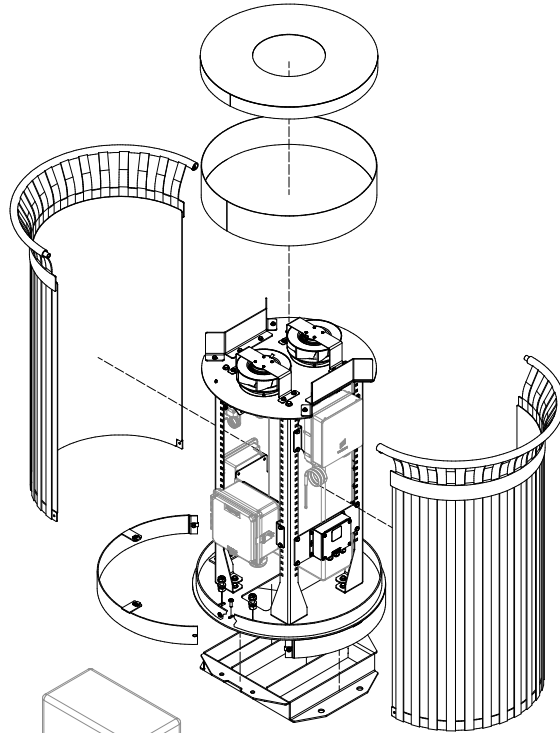


SPECIFICATIONS

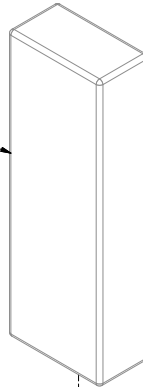
Small Cell Concealment Products 4G Cabinet Concealment Solutions

STEALTH Concealment

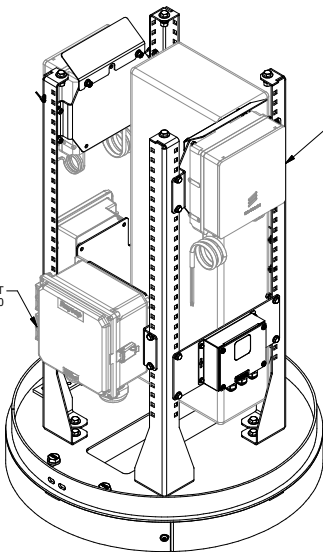
RPE-2001842-00



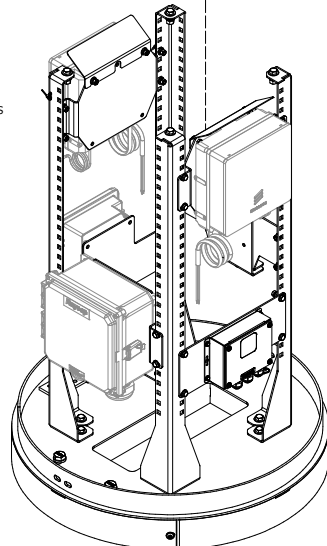
(1) ERICSSON 4455,
BY OTHERS



(1) RAYCAP DISCONNECT
RSCAC-1333-P-240

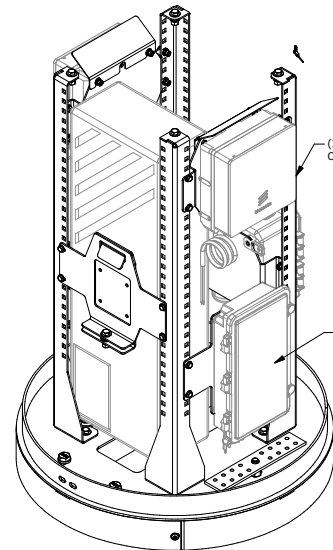


(1) ERICSSON 220X
OR 440X, BY OTHERS



(1) ERICSSON 220X
OR 440X, BY OTHERS

(1) CLEARFIELD
FIBER BOX
19223-W2W-M24-F-01,
OR SIMILAR BY OTHERS



Raycap

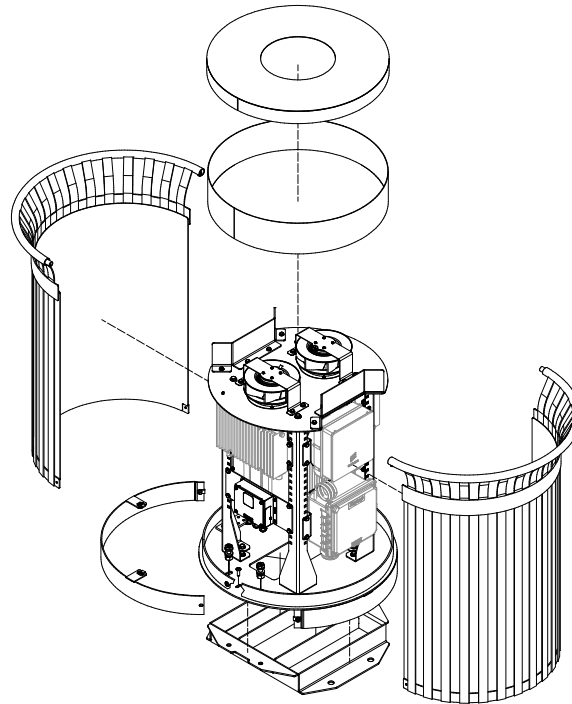
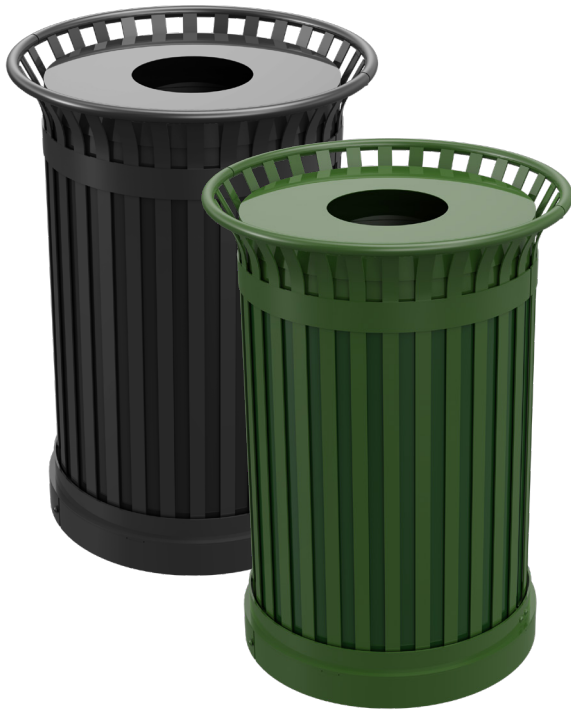
www.raycap.com

SPECIFICATIONS

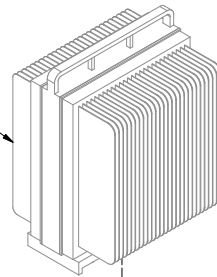
Small Cell Concealment Products 4G Cabinet Concealment Solutions

STEALTH Concealment

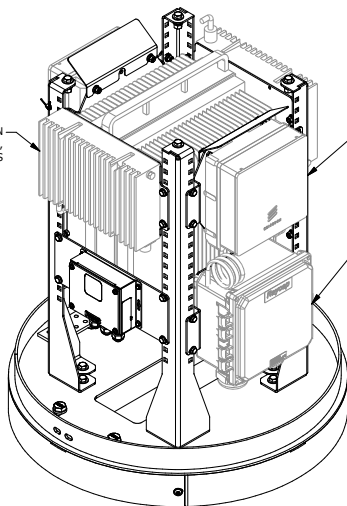
RPE-2000762-00



ERICSSON 8843
OR SIMILAR, BY OTHERS

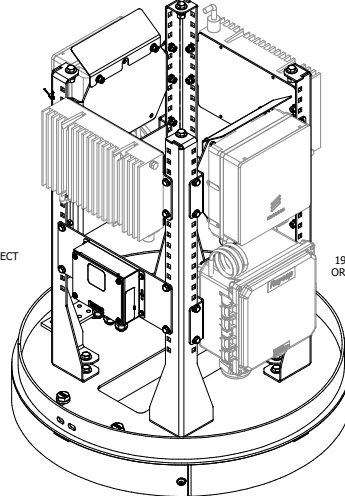


(1) ERICSSON
PSU AC08,
BY OTHERS



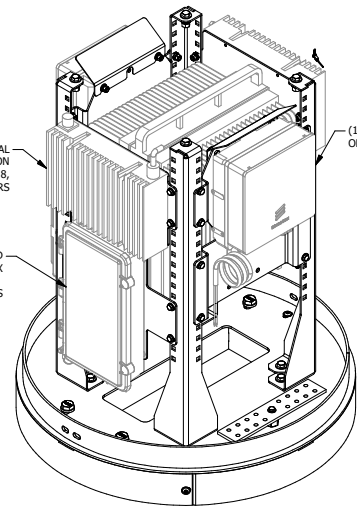
(1) ERICSSON 220X
OR 440X, BY OTHERS

(1) RAYCAP DISCONNECT
RSCAC-1333-P-240



(1) OPTIONAL
ERICSSON
PSU AC08,
BY OTHERS

(1) CLEARFIELD
FIBER BOX
19223-W2W-M24-F-01,
OR SIMILAR BY OTHERS



(1) ERICSSON 220X
OR 440X, BY OTHERS

Raycap

www.raycap.com