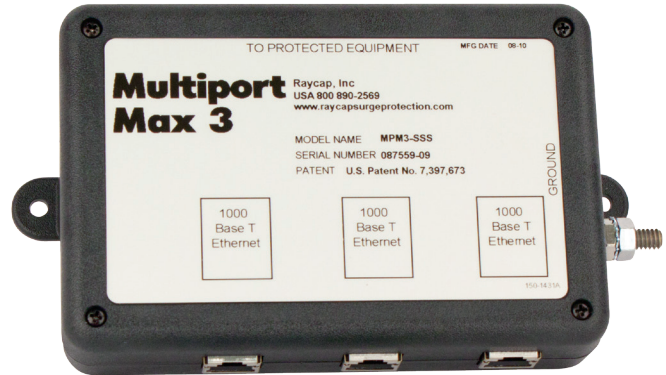


# Data Surge Protection Solutions

## Multiport Max 3

The Multiport Max 3 lets users protect up to three separate lines and modules can be replaced and or upgraded independently.

**ACData**<sup>®</sup>

### Features

- Innovative modular design allows for custom protection configurations
- Modules can be removed, replaced and/or upgraded independently
- Separate modules available for
  - ♦ 1000 Base-T shielded Gigabit Ethernet (GigE)
  - ♦ Power over Ethernet (PoE) 1000 Base-T shielded GigE is UL497B 5<sup>th</sup> Edition Listed
- Double lug grounding available

### Benefits

Field upgradable protects shielded Gigabit Ethernet (GigE) or shielded Power Over Ethernet (PoE)

### Basic Applications

- Light-industrial
- Telecommunications



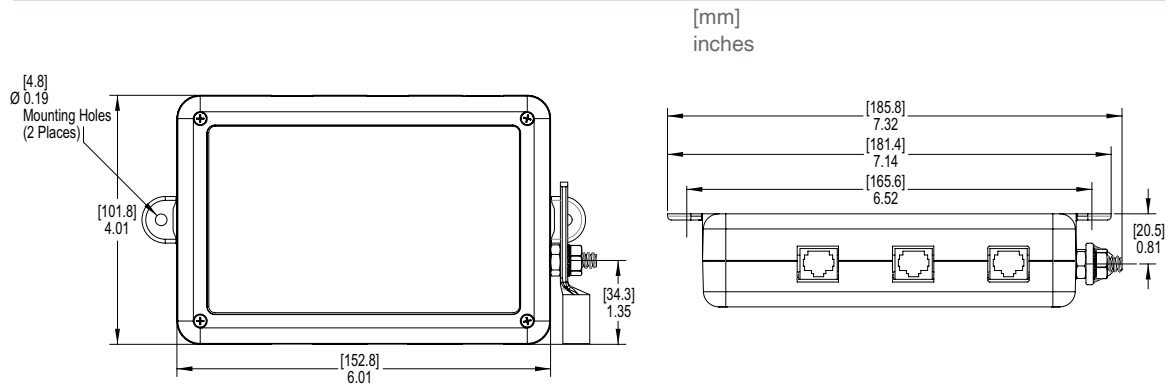
Electrical	Base Model MPM3-XXX	
<b>Module Specifications</b>	<b>SM0010</b>	<b>NM0060*</b>
Breakdown Voltage	-	120 VDC to 140 VDC
Accumulative Surge Current Capacity [ $I_{max}$ ]	<3kA 8/20 $\mu$ s	<3kA 8/20 $\mu$ s
Suppression Technology	TBU + GDT	SAD + GDT
Connection Type	1000 Base-T GigE Ethernet Modules	PoE 1000 Base-T GigE Ethernet Modules
Pins Protected	1 & 2, 3 & 6, 4 & 5, 7 & 8	1 & 2, 3 & 6, 4 & 5, 7 & 8
Connection Method	8 RJ45 Shielded Modular Jack	RJ45 Shielded Modular Jack

Mechanical	Base Model MPM3-XXX	
Operating Temperature (°C)	-40° C to +80° C	
Enclosure Type (Indoor)	TABS Plastic, UL 94V0 Rated	
Enclosure Dimension (L x W x H)	7.32" x 4.01" x 1.62" [185.8 x 101.8 x 41.0 mm]	
Weight	1.0 lbs [45 kg]	

Optional Configurations	Part Number-Suffix
Double Lug Grounding (DL)	(See key to Part Numbering System below.) MPM3-XXX-DL

Standards Compliance & Certifications	
*Standards	UL 497B 5 <sup>th</sup> Edition: 2008, UL 1283 5 <sup>th</sup> Edition: 2009
Certification	UL

**Product Diagram**



**Part Numbering System**  
Naming Configuration  
**MPM3 - XXX - DL**  
1 2 3

**Example**  
**MPM3-SNN**  
Port 1 = Shielded GigE  
Port 2 & 3 = PoE 1000 Base-T GigE Ethernet

1 = Multiport Max 3 Enclosure MPM3  
2 = Port Configuration  
X = Blank (port is empty)  
S = 1000 Base-T GigE Ethernet Shielded  
N = PoE 1000 Base-T GigE Ethernet

*\*GigE configurations require two ports each side by side.*

BTU=Transient Blocking Unit  
GDT=Gas Discharge Tube

