

# Data Surge Protection Solutions **SureLinx SLA2 Series**

SLA2-2024C • SLA2-2048C

The SLA2 provides multi-stage capacity protection for 24 volt and 48 volt 4-20 mA electronics instruments.

**ACData**<sup>®</sup>



## Features

- Maintenance free
- 10kA surge capacity
- Low let-through voltage, even on severe surges
- Screw-down terminal strips for easy installation

## Benefits

Low cost, maintenance free protection for electronics equipment

## Basic Applications

- Light-industrial
- Telecommunications
- Other commercial applications

# Data Surge Protection Solutions SureLinx SLA2 Series

SLA2-2024C • SLA2-2048C

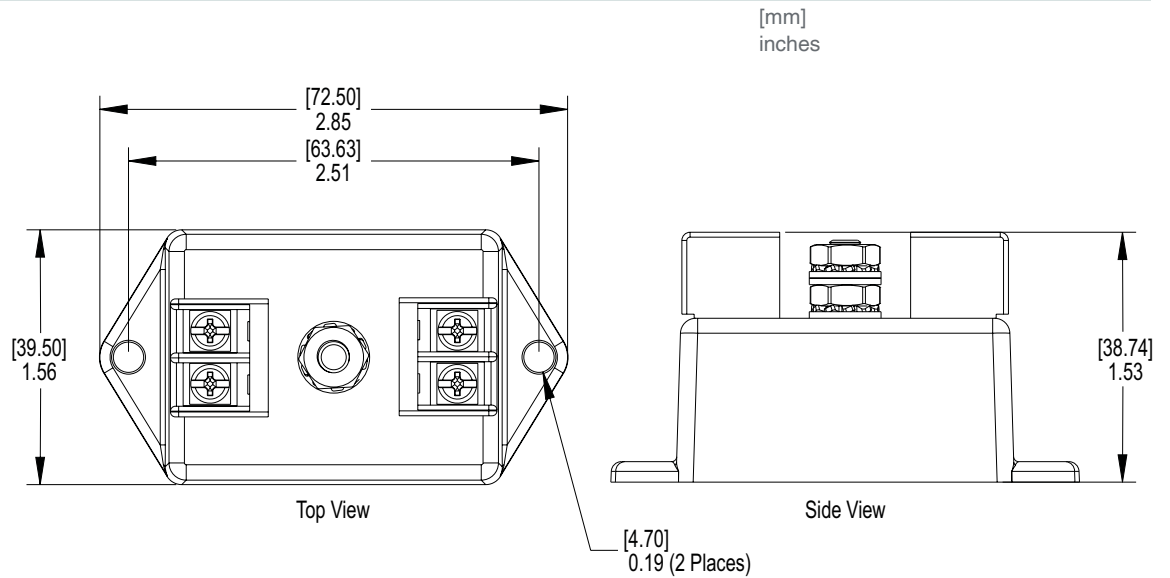


Electrical	SLA2-2024C	SLA2-2048C
Nominal Operating DC Voltage	24V	48V
Maximum Continuous Operating DC Voltage (MCOV)	28V	56V
Maximum Continuous Operating Current (MCOC)	4-20 mA loop	4-20 mA loop
Maximum Surge Current Capacity [ $I_{max}$ ]	10 kA 8/20 $\mu$ s	10 kA 8/20 $\mu$ s
Suppression Technology	SAD & GDT	SAD & GDT
Series Impedance per Line	4 $\Omega$	4 $\Omega$

Mechanical	
Connection Terminal (Suppression) Hardwired	#16 to #22 AWG
Connection Terminal Type (Wire Compression)	2 position screw-down terminal strips
Operating Temperature ( $^{\circ}$ C)	-40 $^{\circ}$ C to +80 $^{\circ}$ C
Enclosure Type (Indoor)	ABS Plastic, UL 94-V0 Rated
Enclosure Dimension (L x W x H)	2.85" x 1.56" x 1.53" [72.50 x 39.50 x 38.74 mm]
Weight	.10 lbs [.045 kg]

**Product Diagram**



AWG=American Wire Gauge