

**DDC Series**

DDC024 • DDC048

The DDC Series features silicon avalanche diode (SAD) surge suppression technology with 24 or 48 volt DC operating voltage.

**ACData®**

DDC024



DDC048

**Features**

- Feed-through design with no series impedance
- Housing meets UL 94-V flame rating
- Local and remote monitoring capabilities
- Uses bipolar silicon avalanche diode (SAD) suppression technology
- Bullet-style DC distribution interface

**Benefits**

Protects DC operating voltages of 24 or 48 volt DC.

**Basic Applications**

- Telecommunications
- Energy
- Light-industrial

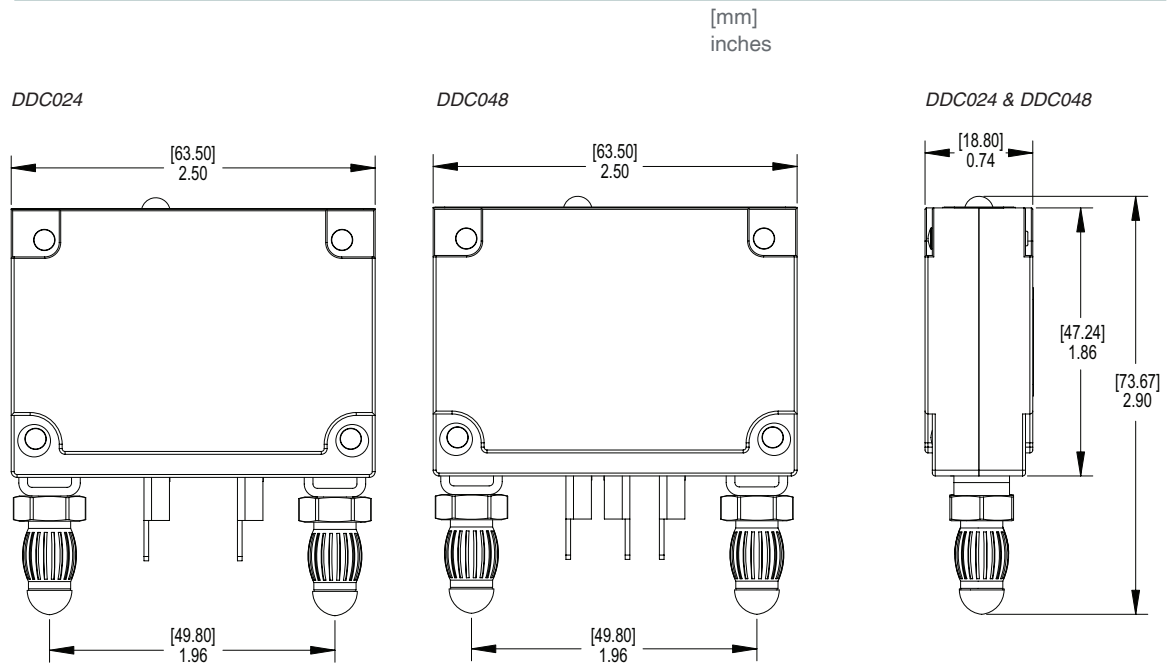


Electrical	DDC024	DDC048
Operating DC Voltage Range	+19.5V to 29V	+44V to 60V
Nominal Operating DC Voltage [U <sub>n</sub> ]	24V	48V
Clamping Response Time	<5 ns	<5 ns
Maximum Dissipation Energy	45 joules	60 joules
Peak Pulse Current (10 × 1000 μs)	975A	592A
Maximum Let-through Voltage	50V	100V
Suppression Technology	SAD	SAD

Mechanical	DDC024	DDC048
Connection Terminal (Alarm) Method	0.110" flat tab	
Connection Terminal (Suppression) Method	Bullet-style	
Operation Temperature (°C)	-20° C to +80° C	
Enclosure Type (Indoor)	Type 1 ABS Plastic, UL 94V-0 Rated	
Enclosure Dimension (L × W × H)	2.50" × 2.90" × 0.74" [63.50 × 73.67 × 18.80 mm]	
Weight	0.2 lbs [0.0910 kg]	

**Product Diagram**



AWG=American Wire Gauge