

DCLT protectors provide heavy-duty surge capability with low let-through voltages for DC power and signal circuits up to 20 A.

ACData[®]



Features

- Feed-through design with no series impedance
- Silicon avalanche diode (SAD) suppression technology provides low let-through voltage
- No crowbar components yields high impulse reset current
- Light-emitting diode (LED) indicator visually verifies correct polarity and installation

Benefits

High capacity protection for DC distributed antenna systems.

Basic Applications

- Telecommunications
- Energy
- Transportation
- Other commercial applications

DCLT Series

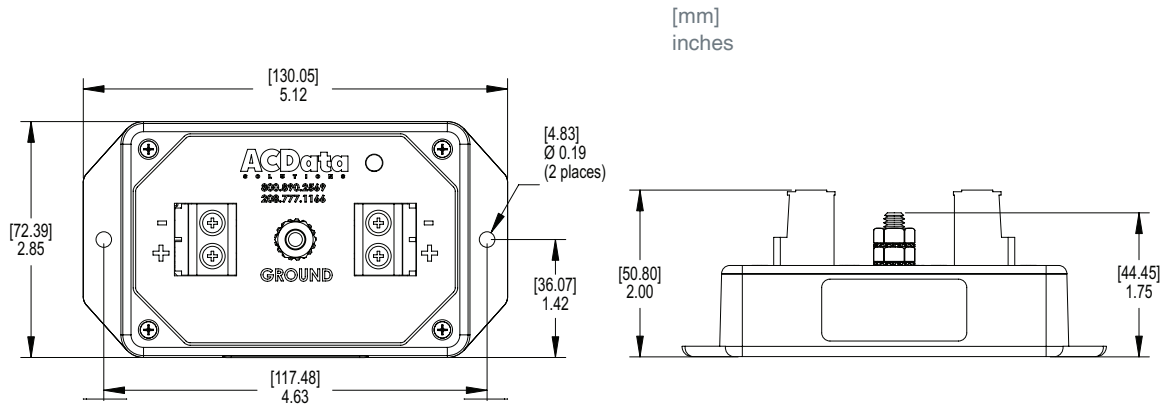
DCLT-24 • DCLT-48



Electrical	DCLT-24	DCLT-48
Nominal Operating DC Voltage [U_n]	24V	48V
Maximum Continuous Operating DC Voltage (MCOV)	30V	60V
Maximum Continuous Operating DC Current (MCOC)	20 A	20 A
Maximum surge current capacity [I_{max}]	20 kA (8/20 μ s) per mode	20 kA (8/20 μ s) per mode
Suppression Technology	SAD	SAD

Mechanical	
Connection Method	#20 to #6 AWG [0.5 mm ² - 16 mm ²]
Operation Temperature (°C)	-40° C to +65° C
Enclosure Type (Indoor)	Type 1 ABS Plastic, UL 94V-0 Rated
Enclosure Dimension (L x W x H)	5.125" x 2.85" x 2.00" [130.05 x 72.39 x 50.80 mm]
Weight	0.3 lbs [0.136 kg]

Product Diagram



AWG=American Wire Gauge