

DCBH Series

DCBH24 • DCBH48

The DCBH Series provides a solid-state clamping design that eliminates the impulse reset current considerations common with most crowbar designs.

ACData[®]**Features**

- Up to 60 volt DC continuous operating voltage
- Feed-through design with no series impedance
- Silicon Avalanche Diode (SAD) suppression technology provides low let-through voltage
- Light-Emitting Diode (LED) indicator visually verifies correct polarity and installation

Benefits

High capacity protection for 24 and 48 volt DC applications. Solid-state design protects fiber-to-copper conversion electronics in network interface devices.

Basic Applications

- Telecommunications
- Energy
- Transportation
- Other commercial applications

DCBH Series

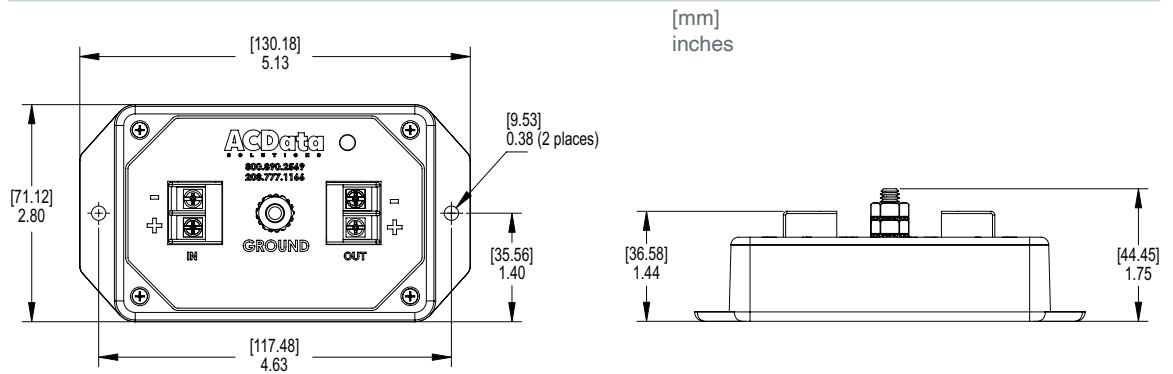
DCBH24 • DCBH48



Electrical	DCBH24	DCBH48
Nominal Operating DC Voltage [U_n]	24V	48V
Maximum Continuous Operating DC Voltage (MCOV)	30V	60V
Maximum Continuous Operating DC Current (MCOC)	20 A	20 A
Maximum surge current capacity [I_{max}]	20 kA (8/20 μ s) per mode	20 kA (8/20 μ s) per mode
Suppression Technology	SAD	SAD

Mechanical	
Connection Method	#22 to #12 AWG [0.34 mm ² - 4 mm ²]
Operation Temperature (°C)	-40° C to +80° C
Enclosure Type (Indoor)	Type 1 ABS Plastic, UL 94V-0 Rated
Enclosure Dimension (L x W x H)	5.125" x 2.80" x 1.75" [130.18 x 71.12 x 44.45 mm]
Weight	0.3 lbs [.136 kg]

Product Diagram



AWG=American Wire Gauge