

AC Surge Suppression Solution

AC2040M-02-NA-A

The AC2040M-02-NA-A is a small, lightweight surge protection device.

ACData[®]



Features

- UL 1449 4th Edition Certified
- Common mode suppression
- Thermal fused metal oxide varistor (MOV) suppression technology
- Light-emitting diode (LED) visual protection status indicator
- Type 1 Indoor rated enclosure
- Surge current capacity 40kA

Benefits

The compact and lightweight design features extended temperature operation in a Type 2 surge protection device.

Basic Applications

- Light-industrial
- Energy
- Transportation

AC Surge Suppression Solution AC2040M-02-NA-A

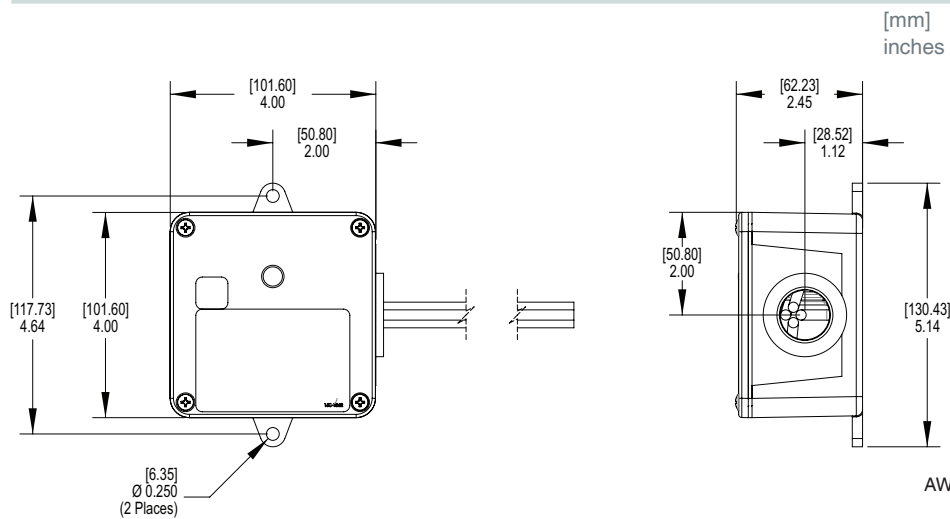


Electrical		AC2040M-02-NA-A
Surge Protection Device (SPD) Classification to UL		Type 2
Operating AC Voltage		1 120/240V 3W+G
Maximum Continuous Operating AC Voltage (MCOV):	Line-Neutral	175V
	Line-Ground	175V
	Neutral-Ground	175V
	Line-Line	254V
Nominal Discharge Current [I_n]		10 kA
Maximum Surge Current Capacity [I_{max}]:	Line-Neutral	40 kA
	Line-Ground	40 kA
	Neutral-Ground	40 kA
	Line-Line	40 kA
Fault Current Rating		65 kA with 200 Amp breaker
Voltage Protection Rating (VPR):	Line-Neutral	800V
	Line-Ground	1200V
	Neutral-Ground	800V
	Line-Line	1200V

Mechanical		AC2040M-02-NA-A
Connection Terminal (Suppression) Hardwire		#12 AWG [3.31 mm ²] pigtail leads
Operating Temperature (°C)		-40° C to +80° C
Enclosure Type (Indoor)		Type 1 PVC Plastic
Enclosure Dimension (L x W x H)		4.00" x 5.14" x 2.45" [101.6 x 130.4 x 62.2 mm]
Weight		2.2 lbs [1 kg]

Standards Compliance & Certifications	
Standards	UL 1449 4 th Edition: 2011
Certification	UL
Associations	ANSI

Wiring Diagram



AWG=American Wire Gauge

