

AC Power Surge Protection Solutions All-Mode V Series-B

AM4100-V-07 • AM4100M-V-07 • AM5100-V-07 • AM7100-V-07 • AM7100-V-3WG-07

The All-Mode V Series AC surge suppressor operates to a maximum surge capacity of 100kA and is available in a variety of operating voltages.

ACData®



Features

- UL 1449 3rd Edition Listed
- UL 1283 Listed
- Form C relay contacts for remote alarm notification included
- Push-to-test diagnostics
- Built with electromagnetic interference and radio frequency interference (EMI/RFI) filtering sine wave tracking circuitry
- Individually thermal fused metal oxide varistor (MOV) suppression technology components

Benefits

UL Type 2 surge protection device (SPD). Features extended temperature operation with a maximum surge current capacity of 100kA

Basic Applications

- Light-industrial
- Power
- Telecommunications
- Transportation
- Other commercial applications

SPECIFICATIONS

**AC Power Surge Protection Solutions
All-Mode V Series-B**

AM4100-V-07 • AM4100M-V-07 • AM5100-V-07 • AM7100-V-07 • AM7100-V-3WG-07



Electrical

Model	AM4100-V-07	AM4100M-V-07	AM5100-V-07	AM7100-V-07	AM7100-V-3WG-07
Surge Protection Device (SPD) Type to UL	Type 2	Type 2	Type 2	Type 2	Type 2
Operating AC Voltage	3φ 208/120Y 4W+G	3φ 220/127Y 4W+G	3φ 240/120D 4W+G	3φ 480/277Y 4W+G	3φ 480/277 3W+G
Maximum Continuous Operating AC Voltage (MCOV):	High Leg Delta				
Line-Neutral	140V	175V	140V	280V	320V
Line-Ground	140V	175V	140V	280V	320V
Neutral-Ground	140V	175V	140V	-	320V
Line-Line	280V	320V	280V	280V	560V
Nominal Discharge Current [I _n]	20 kA	20 kA	20 kA	20 kA	20 kA
Maximum Surge Current Capacity	100 kA	100 kA	100 kA	100 kA	100 kA
Fault Current Rating	65 kA no breaker	65 kA no breaker	200 kA with 30 Amp breaker	200 kA with 30 Amp breaker	200 kA with 30 Amp breaker
Voltage Protection Rating (VPR):					
Line-Neutral	600V	700V	900V	1000V	1500V
Line-Ground	700V	700V	900V	1200V	1500V
Neutral-Ground	700V	700V	800V	-	1200V
Line-Line	800V	1000V	1200V	1000V	1800V
Suppression Technology	MOV	MOV	MOV	MOV	MOV

Mechanical

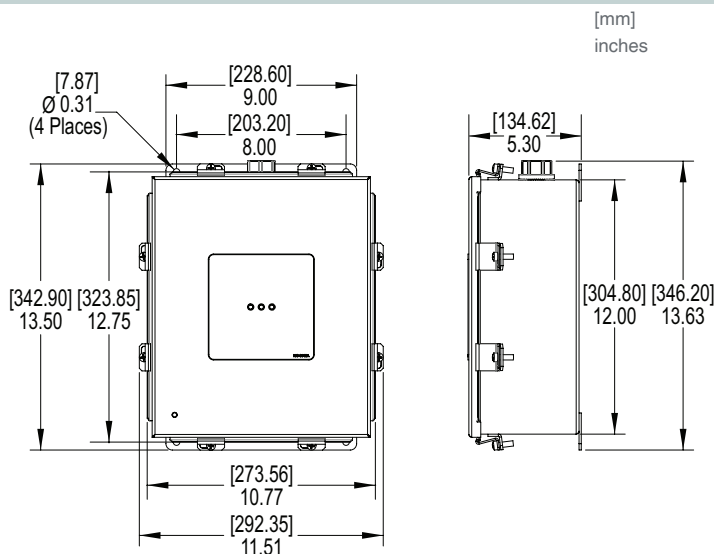
Connection Terminals (Suppression) Hardwired	#10 AWG [6 mm ²] pigtail leads
Form C Contact Connection (Terminal Block)	#22 - #18 AWG [0.34 mm ² - 0.75 mm ²]
Operation Temperature (°C)	-40° C to +80° C
Enclosure Type	Type 4
Enclosure Dimension (L x W x H)	11.5" x 13.5" x 5.3" [292.35 x 342.90 x 134.62 mm]
Weight	18.0 lbs [8.16 kg]

Standards Compliance & Certifications

UL 1283 5 th Edition: 2009, UL 1449 3 rd Edition: 2009, IEEE C62.41.2: 2002	
Certification	UL
Standards	ANSI, IEEE, NEC

Product Diagram

AM4100-V-07, AM4100M-V-07, AM5100-V-07
AM7100-V-07 & AM7100-V-3WG-07



AWG=American Wire Gauge



www.raycap.com