

AC Power Surge Protection Solutions **All-Mode V Series-A**

AM1080-V-07 • AM1080M-V-07 • AM2080-V-07 • AM2080M-V-07

The All-Mode V Series AC surge suppressor operates to a maximum surge capacity of 100kA and is available in a variety of operating voltages.

ACData[®]

AM2080-V-07



Features

- UL 1449 4th Edition Listed
- UL 1283 Listed
- Form C relay contacts included
- Push-to-test diagnostics
- Built with electromagnetic interference and radio frequency interference (EMI/RFI) filtering sine wave tracking circuitry
- Individually thermal fused metal oxide varistor (MOV) suppression technology components

Benefits

Features extended temperature operation.
UL Type 2 surge protection device (SPD).

Basic Applications

- Light-industrial
- Power
- Telecommunications
- Transportation
- Other commercial applications

AC Power Surge Protection Solutions All-Mode V Series-A

AM1080-V-07 • AM1080M-V-07 • AM2080-V-07 • AM2080M-V-07



Electrical

Model	AM1080-V-07	AM1080M-V-07	AM2080-V-07	AM2080M-V-07
Surge Protection Device (SPD) Type to UL	Type 2	Type 2	Type 2	Type 2
Operating AC Voltage	1φ 120 2W+G	1φ 127 2W+G	1φ 120/240 3W+G	1φ 127/220 3W+G
Maximum Continuous Operating AC Voltage (MCOV):				
Line-Neutral	140V	175V	140V	175V
Line-Ground	140V	175V	140V	175V
Neutral-Ground	140V	175V	140V	175V
Line-Line	-	-	280V	320V
Nominal Discharge Current [I _n]	20 kA	20 kA	20 kA	20 kA
Maximum Surge Current Capacity	100 kA	100 kA	100 kA	100 kA
Fault Current Rating	65 kA no breaker	65 kA no breaker	65 kA no breaker	65 kA no breaker
Voltage Protection Rating (VPR):				
Line-Neutral	600V	700V	600V	700V
Line-Ground	600V	700V	600V	700V
Neutral-Ground	600V	700V	600V	700V
Line-Line	-	-	900V	1000V
Suppression Technology	MOV	MOV	MOV	MOV

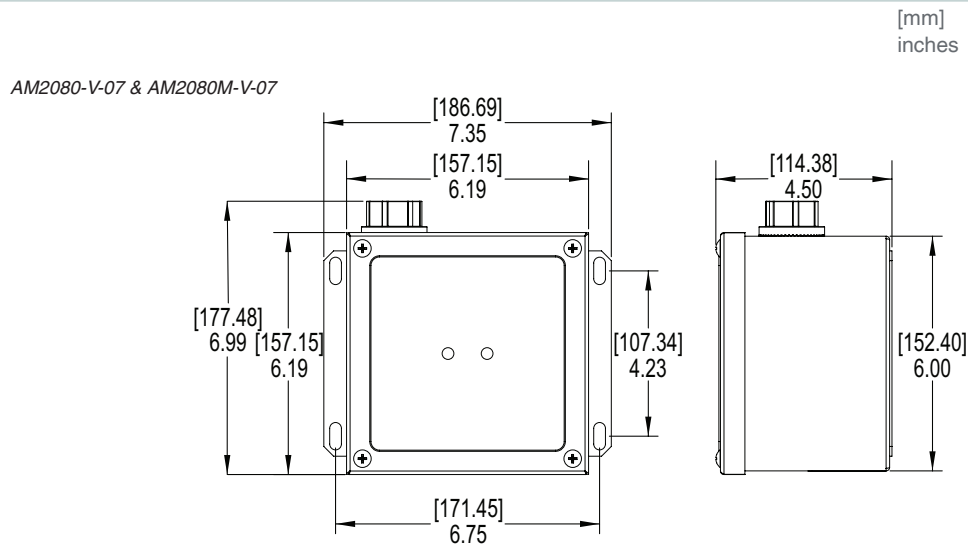
Mechanical

Connection Terminals (Suppression) Hardwired	#10 AWG [6 mm ²] pigtail leads
Form C Contact Connection (Terminal Block)	#22 - #18 AWG [0.34 mm ² - 0.75 mm ²]
Operation Temperature (°C)	-40° C to +80° C
Enclosure Type	Type 4
Enclosure Dimension (L x W x H)	7.35" x 6.99" x 4.5" [186.69 x 177.48 x 114.38 mm]
Weight	8.0 lbs [3.63 kg]

Standards Compliance & Certifications

UL 1283 5 th Edition: 2009, UL 1449 4 th Edition: 2011, IEEE C62.41.2: 2002	
Certification	UL
Standards	ANSI, IEEE, NEC

Product Diagram



AWG=American Wire Gauge

