

AC Power Surge Protection Solutions AM2080-V-07

The All-Mode V Series AC surge suppressor operates to a maximum surge capacity of 100 kA per mode, 200kA per phase and is available in a variety of operating voltages.

ACData[®]

Features

- UL 1449 4th Edition Listed
- UL 1283 Listed
- Form C relay contacts included
- Push-to-test diagnostics
- Built with electromagnetic interference and radio frequency interference (EMI/RFI) filtering sine wave tracking circuitry
- Individually thermal fused metal oxide varistor (MOV) suppression technology components

Benefits

Features extended temperature operation.
UL Type 2 surge protection device (SPD).

Basic Applications

- Light-industrial
- Power
- Telecommunications
- Transportation
- Other commercial applications



Electrical

Surge Protection Device (SPD) Type to UL.	Type 2
Operating AC Voltage	1φ 120/240 3W+G
Maximum Continuous Operating AC Voltage (MCOV):	
Line-Neutral	140V
Line-Ground	140V
Neutral-Ground	140V
Line-Line	280V
Nominal Discharge Current [I _n]	20kA
Maximum Surge Current Capacity per Mode	100kA on All 6 Modes
Maximum Surge Current Capacity per Phase	200kA
Fault Current Rating	65kA no breaker
Voltage Protection Rating (VPR):	
Line-Neutral	600V
Line-Ground	600V
Neutral-Ground	600V
Line-Line	900V
Suppression Technology	MOV

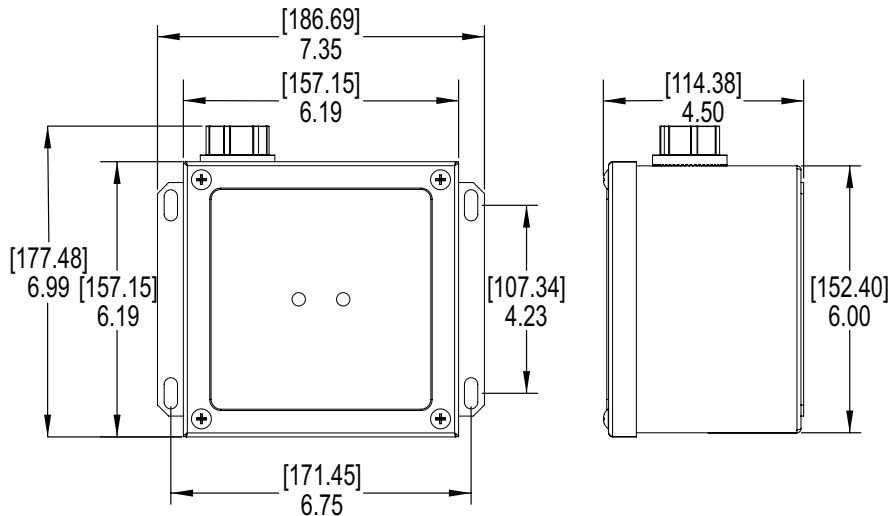
Mechanical

Connection Terminals (Suppression) Hardwired	#10 AWG [6 mm ²] pigtail leads
Form C Contact Connection (Terminal Block)	#22 - #18 AWG [0.34 mm ² - 0.75 mm ²]
Operation Temperature (°C)	-40° C to +80° C
Enclosure Type	Type 4
Enclosure Dimension (L x W x H)	7.35" x 6.99" x 4.5" [186.69 x 177.48 x 114.38 mm]
Weight	8.0 lbs [3.63 kg]

Standards Compliance & Certifications

UL 1283 5 th Edition: 2009, UL 1449 4 th Edition: 2011, IEEE C62.41.2: 2002	
Certification	UL
Standards	ANSI, IEEE, NEC

Product Diagram



AWG=American Wire Gauge

