

AC Power Surge Protection Solution **ACD0667 All-Mode with Filtering**

Designed for 120/240V applications, the ACD0667 All-Mode is the ideal choice when applications require all-mode single protection and filtering capabilities.

ACData[®]**Features**

- UL 1449 3rd Edition Listed
- UL 1283 Listed
- Form C relay contacts for remote notification included
- Two distinct light-emitting diode (LED) visual protection status indicators
- Built with electromagnetic interference and radio frequency interference (EMI/RFI) filtering sine wave tracking circuitry
- Individually thermal fused metal oxide varistor (MOV) suppression technology components

Benefits

UL Type 2 surge suppression device with a maximum surge current capacity of 100kA. Extended temperature operation in a Type 4 rated outdoor steel enclosure.

Basic Applications

- Light-industrial
- Telecommunications
- Energy
- Transportation
- Other commercial applications

AC Power Surge Protection Solution **ACD0667 All-Mode with Filtering**

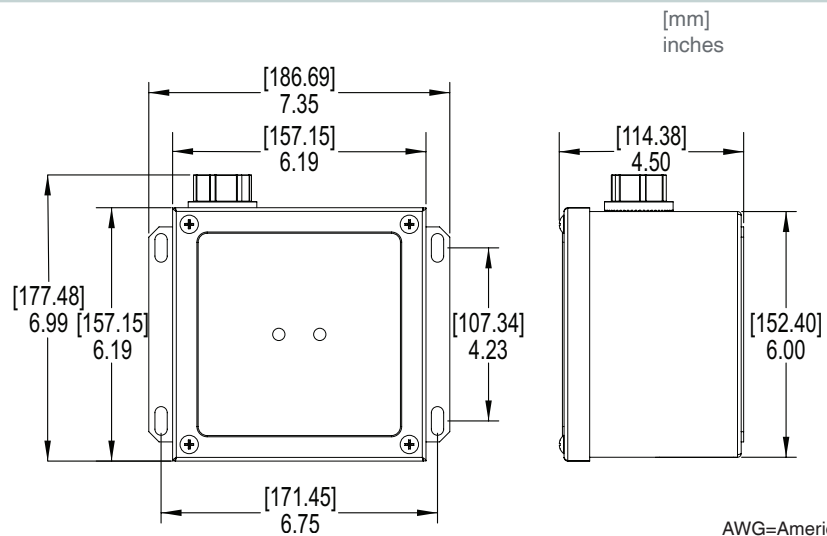


Electrical		ACD0667
Surge Protection Device (SPD) Type to UL		Type 2
Operating AC Voltage		1 ϕ 120/240V 3W+G
Maximum Continuous Operating AC Voltage (MCOV):	Line-Neutral	140V
	Line-Ground	140V
	Neutral-Ground	140V
	Line-Line	280V
Nominal Discharge Current [I_n]		20 kA
Maximum Surge Current Capacity [I_{max}]:		100 kA
Fault Current Rating		65 kA with no breaker
Voltage Protection Rating (VPR):	Line-Neutral	600V
	Line-Ground	600V
	Neutral-Ground	600V
	Line-Line	900V
Suppression Technology		MOV

Mechanical		ACD0667
Connection Terminal (Suppression) Hardwired		#10 AWG [6 mm ²] pigtail leads
Form C Contact Connection (Terminal Block) Hardwired		#22 [034 mm ²] AWG
Operation Temperature (°C)		-40° C to +80° C
Enclosure Type (Outdoor)		Type 4 Steel
Enclosure Dimension (L x W x H)		7.35" x 6.99" x 4.50" [186.7 x 177.5 x 114.4 mm]
Weight		8.0 [3.63 kg]

Standards Compliance & Certifications	
UL 1283 5 th Edition: 2009, UL 1449 3 rd Edition: 2009, IEEE C62.41.2: 2002	
Certification	UL
Standards	ANSI, IEEE, NEC

Product Diagram



AWG=American Wire Gauge

