

AC Surge Protection Solutions AC1100/AC2100/AC4100 Series Hardwired

AC1100-F-07 • AC2100-F-07 • AC4100-F-07 • AC1100M-F-07 • AC2100M-F-07 • AC4100M-F-07

Raycap ACX100 Series provides affordable hardwired AC surge protection solutions.



AC2100 Series & AC4100 Series

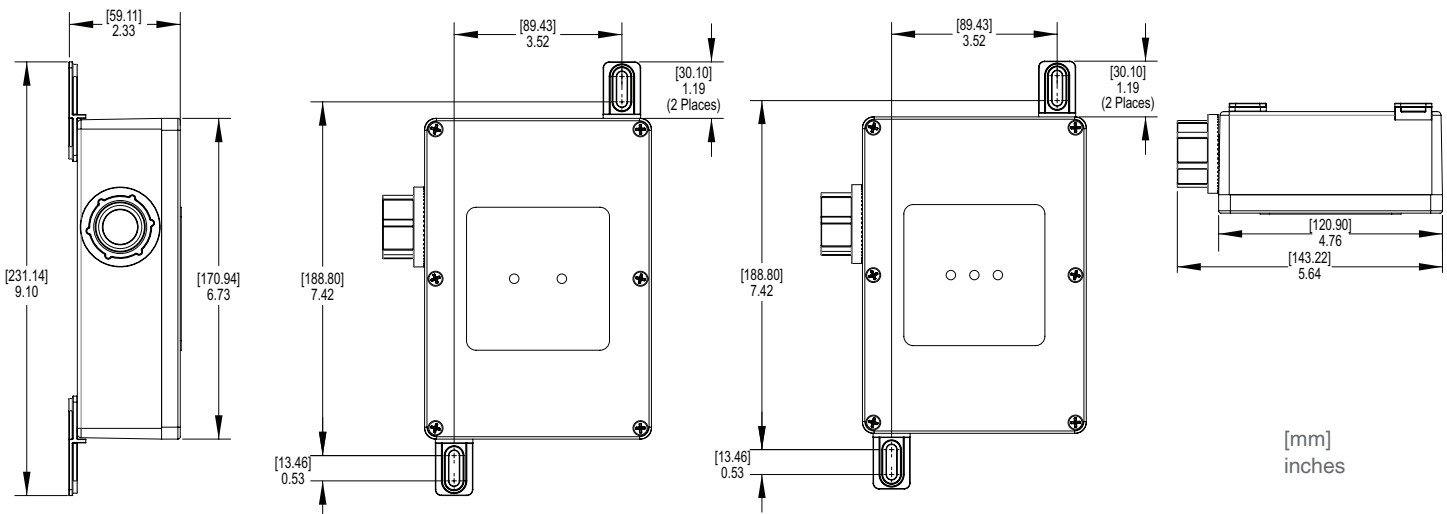
Features

- UL 1449 4th Edition Listed
- Thermal fused metal oxide varistor (MOV) suppression technology
- Common mode suppression
- Single light-emitting diode (LED) visual protection status indicator per phase
- Remote alarm notification included on models with alarming
- Electromagnetic interference and radio frequency interference (EMI/RFI) filtering
- Surge current capacity 100kA 8/20µs

Benefits

Compact size and extended temperature operation with the versatility of a Type 4 outdoor enclosure.

Product Diagram



[mm]
inches

ACData is a registered trademark of Raycap
© 2020 Raycap All rights reserved.
G02-00-001 200407

**Electrical**

| Models | AC1100-F-07 | AC1100M-F-07 | AC2100-F-07 | AC2100M-F-07 | AC4100-F-07 | AC4100M-F-07 |
|---|-------------------------|-------------------------|---------------------------|---------------------------|---------------------------|---------------------------|
| Models (no alarm) | -F-NA-07 | -F-NA-07 | -F-NA-07 | -F-NA-07 | -F-NA-07 | -F-NA-07 |
| Surge Protection Device (SPD) Type to UL | Type 2 | Type 2 | Type 2 | Type 2 | Type 2 | Type 2 |
| Operating AC Voltage | 1 ϕ 120V 2W+G | 1 ϕ 120V 2W+G | 1 ϕ 120/240V 3W+G | 1 ϕ 220/127Y 3W+G | 3 ϕ 208/120Y 4W+G | 3 ϕ 220/127Y 4W+G |
| Maximum Continuous Operating AC Voltage (MCOV): | | | | | | |
| Line-Neutral | 140V | 180V | 140V | 180V | 140V | 180V |
| Line-Ground | 140V | 180V | 140V | 180V | 140V | 180V |
| Neutral-Ground | 140V | 180V | 140V | 180V | 140V | 180V |
| Line-Line | - | - | 254V | 280V | 220V | 280V |
| Nominal Discharge Current [I_n] | 20kA | 20kA | 20kA | 20kA | 20kA | 20kA |
| Maximum Surge Current Capacity [I_{max}]: | | | | | | |
| Line-Neutral | 100kA | 100kA | 100kA | 100kA | 100kA | 100kA |
| Line-Ground | 100kA | 100kA | 100kA | 100kA | 100kA | 100kA |
| Neutral-Ground | 60kA | 60kA | 60kA | 60kA | 60kA | 60kA |
| Line-Line | - | - | 100kA | 100kA | 100kA | 100kA |
| Fault Current Rating | 65kA with no breaker | 65kA with no breaker | 65kA with no breaker | 65kA with no breaker | 65kA with no breaker | 65kA with no breaker |
| Voltage Protection Rating (VPR): | | | | | | |
| Line-Neutral | 600V | 800V | 600V | 600V | 600V | 600V |
| Line-Ground | 1000V | 1200V | 1000V | 1200V | 1000V | 1200V |
| Neutral-Ground | 600V | 700V | 600V | 700V | 600V | 700V |
| Line-Line | - | - | 1000V | 1200V | 1000V | 1200V |
| Suppression Technology | MOV | MOV | MOV | MOV | MOV | MOV |

Mechanical

| | |
|--|--|
| Connection Terminal (Suppression) Hardwired | #10 AWG [6 mm ²] pigtail leads |
| Form C Contact Connection (Terminal Block) Hardwired | #22 AWG [0.34 mm ²] |
| Operation Temperature (°C) | -40° C to +80° C |
| Enclosure Type (Outdoor) | Type 4 Aluminum |
| Enclosure Dimension (L x W x H) | 5.64" x 9.10" x 2.33" [143.22 x 231.41 x 59.11 mm] |
| Weight | 4.0 lbs [1.81 kg] |

Standards Compliance & Certifications

| | |
|---------------|---|
| Standards | UL 1449 4th Edition: 2016, IEC 61643-11: 2011, EN 61643-11: 2012, IEEE C62.41: 2002, IEEE C62.45: 2002, IEEE C62.45: 2002 |
| Certification | UL |
| Standards | ANSI, IEEE, NEC |

AWG=American Wire Gauge

