

# AC Surge Protection Solutions AC OEM M Single Phase Series

AC1040M-01 • AC1040M-02 • AC1060M-01 • AC1060M-02 • AC1080M-01 • AC1080M-02

The AC OEM M Single Phase Series offers durable, hardwired, cost-effective AC surge protection.

**ACData**<sup>®</sup>



AC1080M-02

## Features

- Common mode suppression
- Thermal fused metal oxide varistor (MOV) suppression technology
- Light-emitting diode (LED) visual protection status indicator
- Type 1 indoor and Type 4 outdoor rated enclosures
- Available in maximum surge current capacities of 40kA, 60kA and 80kA

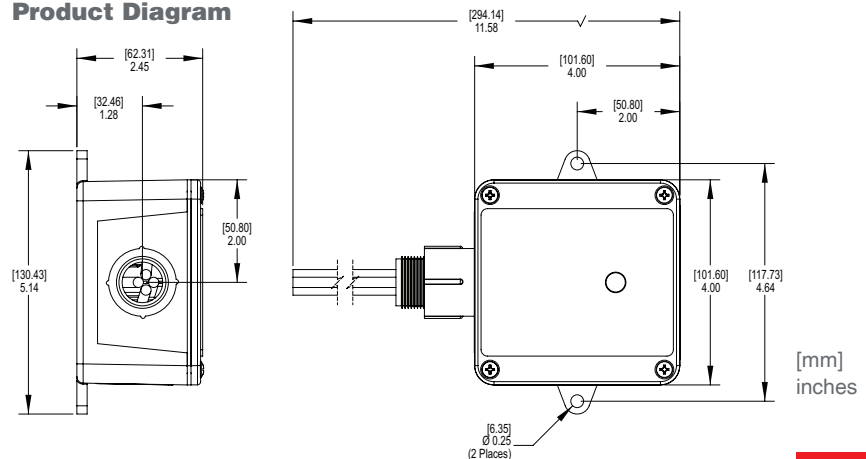
## Benefits

Type 1 or Type 2 surge protection devices and extended operating temperature with the versatility of either a Type 1 indoor or Type 4 outdoor rated enclosure.

## Basic Applications

- Light-industrial
- Telecommunications
- Energy
- Transportation
- Other commercial applications

## Product Diagram



ACData is a registered trademark of Raycap  
© 2015 Raycap All rights reserved.  
G02-00-022 150410

# AC Surge Suppression Solutions

## AC OEM M Single Phase Series

AC1040M-01 • AC1040M-02 • AC1060M-01 • AC1060M-02 • AC1080M-01 • AC1080M-02



### Electrical

Models (Indoor)	AC1040M-01-NA	AC1040M-02-NA	AC1060M-01-NA	AC1060M-02-NA	AC1080M-01-NA	AC1080M-02-NA
Models (Outdoor)	AC1040M-01W-NA	AC1040M-02W-NA	AC1060M-01W-NA	AC1060M-02W-NA	AC1080M-01W-NA	AC1080M-02W-NA
Surge Protection Device (SPD) Type to UL	Type 1	Type 2	Type 1	Type 2	Type 1	Type 2
Operating AC Voltage	1 $\phi$ 127V 2W+G	1 $\phi$ 127V 2W+G	1 $\phi$ 127V 2W+G	1 $\phi$ 127V 2W+G	1 $\phi$ 127V 2W+G	1 $\phi$ 127V 2W+G
Maximum Continuous Operating AC Voltage (MCOV):						
Line-Neutral	175V	175V	175V	175V	175V	175V
Line-Ground	175V	175V	175V	175V	175V	175V
Neutral-Ground	175V	175V	175V	175V	175V	175V
Nominal Discharge Current [ $I_n$ ]	10kA	10kA	20kA	20kA	20kA	20kA
Maximum Surge Current Capacity [ $I_{max}$ ]:						
Line-Neutral	40kA	40kA	60kA	60kA	80kA	80kA
Line-Ground	40kA	40kA	60kA	60kA	80kA	80kA
Neutral-Ground	40kA	40kA	60kA	60kA	80kA	80kA
Fault Current Rating	10kA with no breaker	65kA with 200Amp breaker	10kA with no breaker	65kA with 200Amp breaker	10kA with no breaker	65kA with 200Amp breaker
Voltage Protection Rating (VPR):						
Line-Neutral	700V	800V	700V	800V	700V	800V
Line-Ground	1200V	1200V	1200V	1200V	1200V	1200V
Neutral-Ground	800V	800V	800V	800V	800V	800V
Suppression Technology	MOV	MOV	MOV	MOV	MOV	MOV

### Mechanical

Connection Terminal (Suppression) Hardwired	#12 AWG [4 mm <sup>2</sup> ] pigtail leads
Operation Temperature (°C)	40° C to +80° C
Enclosure Type (Indoor)	Type 1 PVC Plastic
Enclosure Type (Outdoor)	Type 4 PVC Plastic
Enclosure Dimension (L×W×H)	11.58"×5.14"×2.45" [294.14×130.43×62.31 mm]
Weight	4.0 lbs [1.81 kg]

### Standards Compliance & Certifications

UL 1449 4 <sup>th</sup> Edition: 2011, IEEE C62.41.2: 2002	
Certification	UL
Standards	ANSI, IEEE, NEC

OEM=Original Equipment Manufacturer  
AWG=American Wire Gauge

