

Ballasted Chimneys

Ballasted (non-penetrating) concealment chimneys are a great solution for disguising rooftop antennas. The ballasted chimneys are comprised of a steel frame, center mast pipe, steel clamp-on bulkheads and a panel chimney. This standard frame allows for a reduced engineering cost and lead time plus the optimized framing material makes manufacturing and installation a breeze. For additional information on chimney sizes available, please view the load tables on the following pages.

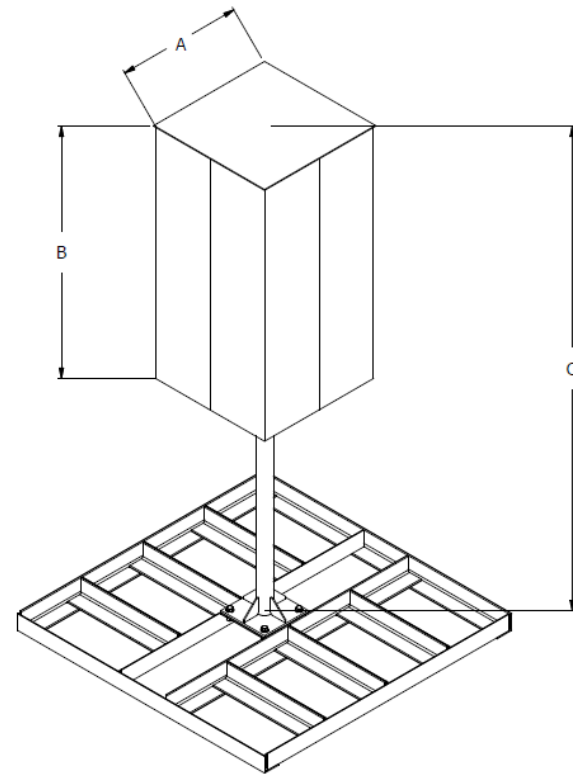
STANDARD BALLASTED CHIMNEY FRAME

**Chimney and attachment bulkheads provided with every frame; see following pages for available sizes.*

Part # SCS-5-8

BALLASTED CHIMNEY FEATURES

- 5'-8" x 5'-8" frame with 4 ballast trays
- Up to 10' overall height with 9' chimney
- Chimney face up to 5'
- 3" SCH 40 center mast



STEALTH Concealment Solutions
Ballasted Chimney Frames

Part # SCS-5-8

5'8" x 5'8" Frame with 3" STD pipe

A Chimney Face	B Chimney Height	Wind Pressure, PSF	C Top of Chimney Above Frame Base													
			4'-0"		5'-0"		6'-0"		7'-0"		8'-0"		9'-0"		10'-0"	
			Ballast Wt	Roof psf	Ballast Wt	Roof psf	Ballast Wt	Roof psf	Ballast Wt	Roof psf	Ballast Wt	Roof psf	Ballast Wt	Roof psf	Ballast Wt	Roof psf
2'-0"	3'-0"	15	100	17	100	18	100	18	100	18	100	18	100	19	100	19
		20	100	17	100	18	100	18	100	18	110	19	150	20	210	22
		25	100	17	100	18	100	18	130	19	200	22	270	24	350	27
		30	100	17	100	18	130	19	210	22	300	25	390	28	480	31
		35	100	17	100	18	190	21	300	24	400	28	500	31	610	35
		40	110	18	150	19	260	23	370	27	490	31	610	34	730	38
		45	160	19	200	21	320	25	460	29	590	34	720	38		
		50	210	21	260	23	400	27	540	32	690	37				
		55	250	22	310	24	460	29	620	34	790	40				
		60	300	24	360	26	530	31	710	37						
		65	350	25	410	27	600	33	790	40						
		70	390	26	460	29	670	36								
		75	440	28	510	30	730	38								
		80	490	30	560	32	800	40								
		85	540	31	610	34										
		90	580	32	670	35										
95	620	34	720	37												
100	680	35	780	39												

A Chimney Face	B Chimney Height	Wind Pressure, PSF	C Top of Chimney Above Frame Base													
			4'-0"		5'-0"		6'-0"		7'-0"		8'-0"		9'-0"		10'-0"	
			Ballast Wt	Roof psf	Ballast Wt	Roof psf	Ballast Wt	Roof psf	Ballast Wt	Roof psf	Ballast Wt	Roof psf	Ballast Wt	Roof psf	Ballast Wt	Roof psf
2'-0"	4'-0"	15			100	18	100	18	100	19	100	19	140	20	200	22
		20			100	18	100	18	110	19	190	22	250	24	330	27
		25			100	18	120	19	210	22	300	25	400	28	500	32
		30			100	18	190	21	310	25	430	29	550	33	670	37
		35			150	20	270	24	410	28	550	33	690	37	830	42
		40			220	22	360	27	500	31	660	36	820	42		
		45			290	24	440	29	600	34	780	40				
		50			340	26	510	31	710	38						
		55			410	28	590	34	810	41						
		60			480	30	680	36								
		65			540	32	750	39								
		70			600	34										
		75			660	36										
80			730	38												
85			790	40												

Part # SCS-5-8
 5'8" x 5'8" Frame with 3" STD pipe

A Chimney Face	B Chimney Height	Wind Pressure, PSF	C Top of Chimney Above Frame Base													
			4'-0"		5'-0"		6'-0"		7'-0"		8'-0"		9'-0"		10'-0"	
			Ballast Wt	Roof psf	Ballast Wt	Roof psf	Ballast Wt	Roof psf	Ballast Wt	Roof psf	Ballast Wt	Roof psf	Ballast Wt	Roof psf	Ballast Wt	Roof psf
2'-0"	5'-0"	15					100	19	100	19	120	20	180	22	260	25
		20					100	19	150	21	250	24	330	27	430	30
		25					140	20	260	24	380	28	500	32	630	36
		30					230	23	370	28	520	32	670	37	820	42
		35					310	25	490	31	660	37	840	43		
		40					410	29	590	34	790	41				
		45					500	31	700	38						
		50					590	34								
		55					670	37								
		60					760	39								

A Chimney Face	B Chimney Height	Wind Pressure, PSF	C Top of Chimney Above Frame Base													
			4'-0"		5'-0"		6'-0"		7'-0"		8'-0"		9'-0"		10'-0"	
			Ballast Wt	Roof psf	Ballast Wt	Roof psf	Ballast Wt	Roof psf	Ballast Wt	Roof psf	Ballast Wt	Roof psf	Ballast Wt	Roof psf	Ballast Wt	Roof psf
2'-0"	6'-0"	15						100	20	140	21	230	24	320	27	
		20						170	22	290	26	410	30	530	34	
		25						280	25	430	30	580	35	730	40	
		30						410	29	590	35	770	41			
		35						530	33	740	40					
		40						660	37							
		45						780	41							

A Chimney Face	B Chimney Height	Wind Pressure, PSF	C Top of Chimney Above Frame Base													
			4'-0"		5'-0"		6'-0"		7'-0"		8'-0"		9'-0"		10'-0"	
			Ballast Wt	Roof psf	Ballast Wt	Roof psf	Ballast Wt	Roof psf	Ballast Wt	Roof psf	Ballast Wt	Roof psf	Ballast Wt	Roof psf	Ballast Wt	Roof psf
2'-0"	7'-0"	15								150	22	250	25	360	29	
		20								310	27	450	32	590	36	
		25								460	32	630	37	810	43	
		30								620	37	830	43			
		35								780	42					

Part # SCS-5-8

5'8" x 5'8" Frame with 3" STD pipe

A Chimney Face	B Chimney Height	Wind Pressure, PSF	C Top of Chimney Above Frame Base														
			4'-0"		5'-0"		6'-0"		7'-0"		8'-0"		9'-0"		10'-0"		
			Ballast Wt	Roof psf	Ballast Wt	Roof psf	Ballast Wt	Roof psf	Ballast Wt	Roof psf	Ballast Wt	Roof psf	Ballast Wt	Roof psf	Ballast Wt	Roof psf	
2'-0"	8'-0"	15												270	26	390	30
		20												470	33	630	38
		25												660	39		

A Chimney Face	B Chimney Height	Wind Pressure, PSF	C Top of Chimney Above Frame Base														
			4'-0"		5'-0"		6'-0"		7'-0"		8'-0"		9'-0"		10'-0"		
			Ballast Wt	Roof psf	Ballast Wt	Roof psf	Ballast Wt	Roof psf	Ballast Wt	Roof psf	Ballast Wt	Roof psf	Ballast Wt	Roof psf	Ballast Wt	Roof psf	
2'-0"	8'-0"	15														400	31
		20														650	39

1. Ballast weights calculations exclude bulkhead and equipment weights.
2. Final ballast weight requirement may vary slightly.
3. Structural analysis and capacity of the existing structure must be verified by others.

Ballast Frame Preliminary Ballast Weight Calculations Assumptions:

- Wind pressures are calculated based on ASCE 7-10 standard. Occupancy Category II, with no topographic effects.
- Snow, ice, and seismic effects are NOT considered.
- Factor of Safety 1.0 is used.
- When computing the resisting moment, the dead load (DL) of the frame, etc. is multiplied by 0.6 per ASD load combinations. Ballast weight is not reduced by this factor.
- Coefficient of friction of 0.90 is assumed (neoprene mat on a clean roof surface). Coefficient of friction must be determined based on materials in contact.

Part # SCS-5-8

5'8" x 5'8" Frame with 3" STD pipe

A Chimney Face	B Chimney Height	Wind Pressure, PSF	C Top of Chimney Above Frame Base													
			4'-0"		5'-0"		6'-0"		7'-0"		8'-0"		9'-0"		10'-0"	
			Ballast Wt	Roof psf	Ballast Wt	Roof psf	Ballast Wt	Roof psf	Ballast Wt	Roof psf	Ballast Wt	Roof psf	Ballast Wt	Roof psf	Ballast Wt	Roof psf
3'-0"	3'-0"	15	100	18	100	18	100	19	100	19	140	20	210	23	280	25
		20	100	18	100	18	120	19	190	22	290	25	380	28	450	31
		25	100	18	100	18	210	22	320	26	430	29	540	33	650	37
		30	140	19	180	21	320	26	450	30	580	34	720	39	850	43
		35	210	22	260	23	420	29	570	34	730	39	890	44		
		40	280	24	350	26	510	31	690	37	870	43				
		45	360	26	430	29	610	35	810	41						
		50	430	28	510	31	720	38								
		55	500	31	580	33	820	41								
		60	570	33	660	36										
		65	640	35	730	38										
		70	710	37	820	41										
75	760	39														

A Chimney Face	B Chimney Height	Wind Pressure, PSF	C Top of Chimney Above Frame Base													
			4'-0"		5'-0"		6'-0"		7'-0"		8'-0"		9'-0"		10'-0"	
			Ballast Wt	Roof psf	Ballast Wt	Roof psf	Ballast Wt	Roof psf	Ballast Wt	Roof psf	Ballast Wt	Roof psf	Ballast Wt	Roof psf	Ballast Wt	Roof psf
3'-0"	4'-0"	15			100	19	100	19	140	21	230	24	320	27	410	30
		20			100	19	180	22	290	26	410	30	530	34	660	38
		25			170	21	290	25	440	30	580	35	730	40		
		30			260	24	410	29	590	35	770	41				
		35			360	27	530	33	740	40						
		40			460	30	660	37								
		45			550	33	780	41								
		50			650	36										
		55			740	39										
		60			840	42										

Part # SCS-5-8

5'8" x 5'8" Frame with 3" STD pipe

A Chimney Face	B Chimney Height	Wind Pressure, PSF	C Top of Chimney Above Frame Base													
			4'-0"		5'-0"		6'-0"		7'-0"		8'-0"		9'-0"		10'-0"	
			Ballast Wt	Roof psf	Ballast Wt	Roof psf	Ballast Wt	Roof psf	Ballast Wt	Roof psf	Ballast Wt	Roof psf	Ballast Wt	Roof psf	Ballast Wt	Roof psf
3'-0"	5'-0"	15					100	20	180	23	300	27	410	31	520	34
		20					210	24	360	28	510	33	630	37	780	42
		25					340	28	510	33	700	39	890	45		
		30					460	31	690	39						
		35					600	36	860	44						
		40					740	40								

A Chimney Face	B Chimney Height	Wind Pressure, PSF	C Top of Chimney Above Frame Base													
			4'-0"		5'-0"		6'-0"		7'-0"		8'-0"		9'-0"		10'-0"	
			Ballast Wt	Roof psf	Ballast Wt	Roof psf	Ballast Wt	Roof psf	Ballast Wt	Roof psf	Ballast Wt	Roof psf	Ballast Wt	Roof psf	Ballast Wt	Roof psf
3'-0"	6'-0"	15							200	24	340	29	470	33	610	38
		20							390	30	570	36	750	42		
		25							550	35	780	43				
		30							740	41						

A Chimney Face	B Chimney Height	Wind Pressure, PSF	C Top of Chimney Above Frame Base													
			4'-0"		5'-0"		6'-0"		7'-0"		8'-0"		9'-0"		10'-0"	
			Ballast Wt	Roof psf	Ballast Wt	Roof psf	Ballast Wt	Roof psf	Ballast Wt	Roof psf	Ballast Wt	Roof psf	Ballast Wt	Roof psf	Ballast Wt	Roof psf
3'-0"	7'-0"	15									360	30	510	35	670	40
		20									600	38	810	44		
		25									820	45				

A Chimney Face	B Chimney Height	Wind Pressure, PSF	C Top of Chimney Above Frame Base													
			4'-0"		5'-0"		6'-0"		7'-0"		8'-0"		9'-0"		10'-0"	
			Ballast Wt	Roof psf	Ballast Wt	Roof psf	Ballast Wt	Roof psf	Ballast Wt	Roof psf	Ballast Wt	Roof psf	Ballast Wt	Roof psf	Ballast Wt	Roof psf
3'-0"	8'-0"	15											530	36	710	42
		20											840	46		

A Chimney Face	B Chimney Height	Wind Pressure, PSF	C Top of Chimney Above Frame Base													
			4'-0"		5'-0"		6'-0"		7'-0"		8'-0"		9'-0"		10'-0"	
			Ballast Wt	Roof psf	Ballast Wt	Roof psf	Ballast Wt	Roof psf	Ballast Wt	Roof psf	Ballast Wt	Roof psf	Ballast Wt	Roof psf	Ballast Wt	Roof psf
3'-0"	8'-0"	15													730	44

STEALTH Concealment Solutions
Ballasted Chimney Frames

Part # SCS-5-8

5'8" x 5'8" Frame with 3" STD pipe

A Chimney Face	B Chimney Height	Wind Pressure, PSF	C Top of Chimney Above Frame Base													
			4'-0"		5'-0"		6'-0"		7'-0"		8'-0"		9'-0"		10'-0"	
			Ballast Wt	Roof psf	Ballast Wt	Roof psf	Ballast Wt	Roof psf	Ballast Wt	Roof psf	Ballast Wt	Roof psf	Ballast Wt	Roof psf	Ballast Wt	Roof psf
4'-0"	3'-0"	15	100	19	100	19	100	19	190	22	280	26	370	29	460	32
		20	100	19	120	20	240	24	360	28	480	32	600	36	720	40
		25	180	21	230	23	360	27	510	32	660	37	810	42		
		30	270	24	330	26	500	32	680	38	860	44				
		35	360	27	430	29	640	36	850	43						
		40	460	30	540	33	770	40								
		45	560	33	650	36										
		50	660	36	760	40										
		55	750	39												
60	840	42														

A Chimney Face	B Chimney Height	Wind Pressure, PSF	C Top of Chimney Above Frame Base													
			4'-0"		5'-0"		6'-0"		7'-0"		8'-0"		9'-0"		10'-0"	
			Ballast Wt	Roof psf	Ballast Wt	Roof psf	Ballast Wt	Roof psf	Ballast Wt	Roof psf	Ballast Wt	Roof psf	Ballast Wt	Roof psf	Ballast Wt	Roof psf
4'-0"	4'-0"	15			100	20	160	22	280	26	390	30	520	34	640	38
		20			180	23	320	27	480	32	640	38	770	42		
		25			320	27	470	32	670	38	870	45				
		30			430	30	630	37	870	45						
		35			560	34	790	42								
		40			690	39										
		45			820	43										

A Chimney Face	B Chimney Height	Wind Pressure, PSF	C Top of Chimney Above Frame Base													
			4'-0"		5'-0"		6'-0"		7'-0"		8'-0"		9'-0"		10'-0"	
			Ballast Wt	Roof psf	Ballast Wt	Roof psf	Ballast Wt	Roof psf	Ballast Wt	Roof psf	Ballast Wt	Roof psf	Ballast Wt	Roof psf	Ballast Wt	Roof psf
4'-0"	5'-0"	15					180	24	330	29	480	34	630	39	780	44
		20					360	29	560	36	760	42	960	49		
		25					540	35	770	42						
		30					700	40								

Part # SCS-5-8

5'8" x 5'8" Frame with 3" STD pipe

A Chimney Face	B Chimney Height	Wind Pressure, PSF	C Top of Chimney Above Frame Base													
			4'-0"		5'-0"		6'-0"		7'-0"		8'-0"		9'-0"		10'-0"	
			Ballast Wt	Roof psf	Ballast Wt	Roof psf	Ballast Wt	Roof psf	Ballast Wt	Roof psf	Ballast Wt	Roof psf	Ballast Wt	Roof psf	Ballast Wt	Roof psf
4'-0"	6'-0"	15							360	31	540	37	720	42		
		20							600	38	840	46				
		25							820	45						

A Chimney Face	B Chimney Height	Wind Pressure, PSF	C Top of Chimney Above Frame Base													
			4'-0"		5'-0"		6'-0"		7'-0"		8'-0"		9'-0"		10'-0"	
			Ballast Wt	Roof psf	Ballast Wt	Roof psf	Ballast Wt	Roof psf	Ballast Wt	Roof psf	Ballast Wt	Roof psf	Ballast Wt	Roof psf	Ballast Wt	Roof psf
4'-0"	7'-0"	15									560	38	770	45		
		20									880	48				

Part # SCS-5-8

5'8" x 5'8" Frame with 3" STD pipe

A Chimney Face	B Chimney Height	Wind Pressure, PSF	C Top of Chimney Above Frame Base													
			4'-0"		5'-0"		6'-0"		7'-0"		8'-0"		9'-0"		10'-0"	
			Ballast Wt	Roof psf	Ballast Wt	Roof psf	Ballast Wt	Roof psf	Ballast Wt	Roof psf	Ballast Wt	Roof psf	Ballast Wt	Roof psf	Ballast Wt	Roof psf
5'-0"	3'-0"	15	100	20	100	20	190	23	300	27	410	30	530	34	640	38
		20	160	22	215	24	360	28	510	33	660	38	810	43		
		25	280	25	350	28	520	33	700	39	890	45				
		30	390	29	470	31	690	39								
		35	510	32	600	35	860	44								
		40	640	36	740	40										
		45	760	40												

A Chimney Face	B Chimney Height	Wind Pressure, PSF	C Top of Chimney Above Frame Base													
			4'-0"		5'-0"		6'-0"		7'-0"		8'-0"		9'-0"		10'-0"	
			Ballast Wt	Roof psf	Ballast Wt	Roof psf	Ballast Wt	Roof psf	Ballast Wt	Roof psf	Ballast Wt	Roof psf	Ballast Wt	Roof psf	Ballast Wt	Roof psf
5'-0"	4'-0"	15			130	22	260	26	410	31	560	36	710	41		
		20			290	27	460	33	660	39	860	46				
		25			460	32	670	39	900	47						
		30			600	37	860	45								
		35			760	42										

A Chimney Face	B Chimney Height	Wind Pressure, PSF	C Top of Chimney Above Frame Base													
			4'-0"		5'-0"		6'-0"		7'-0"		8'-0"		9'-0"		10'-0"	
			Ballast Wt	Roof psf	Ballast Wt	Roof psf	Ballast Wt	Roof psf	Ballast Wt	Roof psf	Ballast Wt	Roof psf	Ballast Wt	Roof psf	Ballast Wt	Roof psf
5'-0"	5'-0"	15					290	29	480	35	670	41				
		20					510	35	760	43						
		25					740	43								

A Chimney Face	B Chimney Height	Wind Pressure, PSF	C Top of Chimney Above Frame Base													
			4'-0"		5'-0"		6'-0"		7'-0"		8'-0"		9'-0"		10'-0"	
			Ballast Wt	Roof psf	Ballast Wt	Roof psf	Ballast Wt	Roof psf	Ballast Wt	Roof psf	Ballast Wt	Roof psf	Ballast Wt	Roof psf	Ballast Wt	Roof psf
5'-0"	6'-0"	15							510	37	740	44				
		20							810	46						