

DATA SHEET

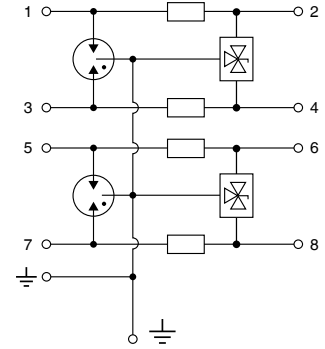
SPD for Two Pair Exposed Lines

RayDat SUI-4-110

D1 • C1 • C2 • C3



IEC/EN Category: D1/C1/C2/C3
 Surge Discharge Ratings: I_n : 20 kA, I_{max} : 30 kA, I_{imp} : 5 kA
 Voltages: 110V DC
 Frequency Range: 30 MHz
 Housing: Modular Design
 Compliance: IEC/EN 61643-21
 Configuration:



Technical Data

SUI-4-xxx

110

Electrical

Lines Protected		2 (4 Conductors)
Nominal Operating Voltage (DC)	U_n	110V
Maximum Continuous Operating Voltage (DC)	U_c	170V
Rated Load Current at 25°C	I_L	1 A
C2 Nominal Discharge Current (8/20 μ s)	I_n	20 kA
Maximum Discharge Current (8/20 μ s)	I_{max}	30 kA
D1 Impulse Current (10/350 μ s)	I_{imp}	5 kA
Residual Voltage at 5 kA (8/20 μ s)	U_{res}	< 450V
Rated Spark Overvoltage	(Line-Ground)	184-264V
	(Line-Line)	184-264V
Response Time Overvoltage Protection	t_A	< 1 ns
Thermal Protection		Yes
Insulation Resistance of the Protection	R_{iso}	$\geq 170 M\Omega$
Serial Resistance per Path	R	1.6-2.0 Ω
Transverse Capacitance	C	50 pF
Cut-off Frequency	f_G	30 MHz

Mechanical

Temperature Range		-40 °F to +176 °F [-40 °C to +80 °C]
Terminal Cross Section Multi-strand (max.)		12 AWG [4 mm ²]
Terminal Screw Torque		4.5 lbf-in [0.5 Nm]
Degree of Protection IEC/EN 60529		IP 20 (built-in)
Housing Material		Thermoplastic; Grey; Extinguishing Degree V-0
Mounting IEC/EN 60715		35mm DIN Rail

Order Information

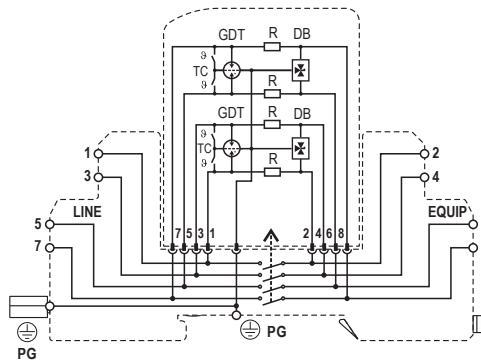
Order Code		110
SUI-4-xxx		7083.28
SUI-4-xxxM (module)		7083.36

RayDat SUI-4-110

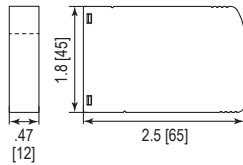
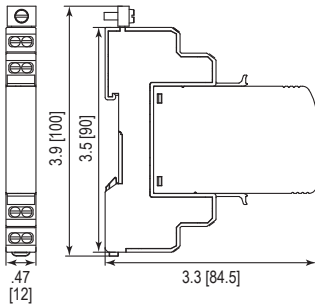
Internal Configuration

Legend

- DB Diode Block
- GDT Gas Discharge Tube
- PG Protective Grounding
- R Resistor
- TC Thermo-clip



Dimensions & Packaging



SUI-4-xxx

110

Dimensions

Weight per Unit	2.46 oz [70 g]
Dimensions DIN 43880	2/3 TE
Packaging Dimensions (Single Unit)	3.4 x .59 x 4" [87 x 15 x 102 mm]
Minimum Package Quantity	15 pieces

SUI-4-xxxM Series

110

Dimensions

Weight per Unit	1.05 oz [30 g]
Packaging Dimensions (Single Unit)	3.4 x .59 x 4" [87 x 15 x 102 mm]
Minimum Package Quantity	15 pieces

inches
[mm]

Information contained in this document is subject to change at any time without notice.

