

DATA SHEET

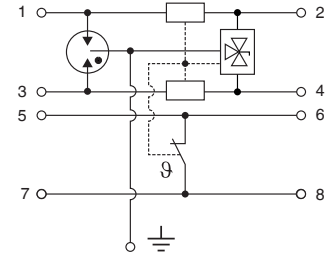
SPD with Remote Contacts RayDat SRH-2 Series D1 • C1 • C2 • C3

*UL Listed



IEC/EN Category: D1/C1/C2/C3
 Surge Discharge Ratings: I_n : 10 kA, I_{max} : 20 kA, I_{imp} : 2.5 kA
 Voltages: 5*, 12*, 15, 24*, 30*, 48, 60 V DC
 Frequency Range: 30 MHz
 Housing: Modular Design
 Compliance: IEC/EN 61643-21
 UL 497B 4th Edition

Configuration:



Technical Data

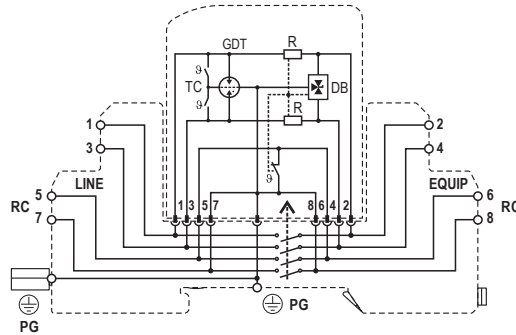
SRH-2 Series		5*	12*	15	24*	30*	48	60
Electrical								
Lines Protected		1 (2 Conductors)						
Nominal Operating Voltage (DC)	U_n	5V	12V	15V	24V	30V	48V	60V
Maximum Continuous Operating Voltage (DC)	U_c	6V	15V	18V	28V	33V	52V	64V
Rated Load Current at 25°C	I_L	1 A						
C2 Nominal Discharge Current (8/20 μs)	I_n	10 kA						
Maximum Discharge Current (8/20 μs)	I_{max}	20 kA						
D1 Impulse Current (10/350 μs)	I_{imp}	2.5 kA						
Residual Voltage at 5 kA (8/20 μs)	U_{res}	<22V	<42V	<48V	<70V	<80V	<140V	<160V
Rated Spark Overvoltage	(Line-Ground)	7-10V	16-21V	21-25V	31-37V	36-44V	57-69V	68-84V
	(Line-Line)	7-10V	16-21V	21-25V	31-37V	36-44V	57-69V	68-84V
Response Time Overvoltage Protection	t_A	<1 ns						
Thermal Protection		Yes						
Insulation Resistance of the Protection	R_{iso}	≥ 6 KΩ	≥ 15 MΩ	≥ 18 MΩ	≥ 28 MΩ	≥ 33 MΩ	≥ 52 MΩ	≥ 64 MΩ
Serial Resistance per Path	R	1.6-2.0 Ω						
Transverse Capacitance	C	50 pF						
Cut-off Frequency	f_G	30 MHz						
Mechanical								
Temperature Range		-40 °F to +176 °F [-40 °C to +80 °C]						
Terminal Cross Section Multi-strand (max.)		12 AWG [4 mm ² , 2.5 mm ² Q Version]						
Terminal Screw Torque		4.5 lbf-in [0.5 Nm]						
Degree of Protection IEC/EN 60529		IP 20 (built-in)						
Housing Material		Thermoplastic; Grey; Extinguishing Degree V-0						
Mounting IEC/EN 60715		35 mm DIN Rail						
Remote Contacts Ratings		AC 250V/0.5A, DC 50V/1A						
Order Information								
Order Code		5*	12*	15	24*	30*	48	60
SRH-2-xxx		7086.17	7086.18	7086.19	7086.20	7086.21	7086.22	7086.23
SRH-2-xxxQ (Quick Connect Terminals)		7085.33	7085.34	7085.35	7085.36	7085.37	7085.38	7085.39
SRH-2-xxxM (module)		7086.25	7086.26	7086.27	7086.28	7086.29	7086.30	7086.31

RayDat SRH-2 Series

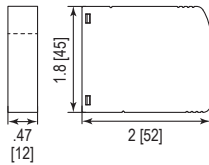
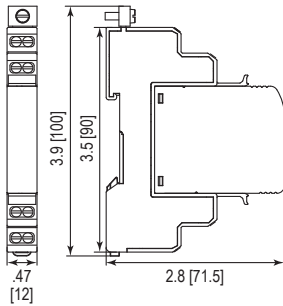
Internal Configuration

Legend

- DB Diode Block
- GDT Gas Discharge Tube
- PG Protective Grounding
- R Resistor
- RC Remote Control (NC)
- TC Thermo-clip



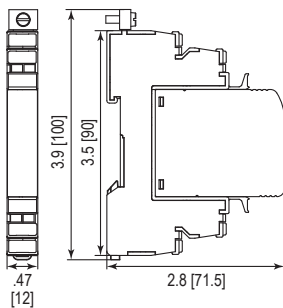
Dimensions & Packaging



SRH-2 Series	5	12	15	24	30	48	60
Dimensions							
Weight per Unit	2.04 oz [58 g]						
Dimensions DIN 43880	2/3 TE						
Packaging Dimensions (Single Unit)	3.4 x .59 x 4" [87 x 15 x 102 mm]						
Minimum Package Quantity	15 pieces						

SRH-2-xxxM Series	5	12	15	24	30	48	60
Dimensions							
Weight per Unit	.84 oz [24 g]						
Packaging Dimensions (Single Unit)	3.4 x .59 x 4" [87 x 15 x 102 mm]						
Minimum Package Quantity	15 pieces						

Quick Connect Terminals



SRH-2-xxxQ Series	5	12	15	24	30	48	60
Dimensions							
Weight per Unit	2.11 oz [60 g]						
Dimensions DIN 43880	2/3 TE						
Packaging Dimensions (Single Unit)	3.4 x .59 x 4" [87 x 15 x 102 mm]						
Minimum Package Quantity	15 pieces						

inches
[mm]

Information contained in this document is subject to change at any time without notice.

