

DATA SHEET

SPD for LAN Category 6 Networks

RayDat NET 6 POE**D1 • C1 • C2 • C3****UL Listed**

IEC/EN Category: D1/C1/C2/C3
 Surge Discharge Ratings: I_n : 10kA, I_{imp} : 1kA
 Voltages: 48V DC
 Max. Operating Voltage: 50V
 Frequency Range: 250MHz, up to Cat 6,
 up to PoE++ Compatible
 Housing: Compact Design
 Compliance: IEC/EN 61643-21
 UL 497B 4th Edition

**Technical Data****NET 6 POE****48****Electrical**

Number of Protected Pairs		4 Pairs (8 Conductors)
Nominal Operating Voltage (DC)	U_n	48V
Maximum Continuous Operating Voltage (DC)	(Line-Line) U_c	50V
	(Pair-Pair)	72V
Rated Load Current at 25°C	I_L	1 A
Nominal Discharge Current (8/20 μ s)	(Line-Line) I_n	150A
C2 Total Discharge Current (8/20 μ s)	(Lines-Ground) I_n	10kA
D1 Impulse Current (10/350 μ s)	I_{imp}	1kA
Voltage Protection Level at I_n	(Line-Line) U_p	150V
	(Line-Ground)	550V
Response Time Overvoltage Protection	t_A	< 1 ns
Cut-off Frequency	f_G	250 MHz

Mechanical

Temperature Range	-40 °F to +176 °F [-40 °C to +80 °C]
Connection Type	Input/Output: RJ45 Sockets
Degree of Protection IEC/EN 60529	IP 20
Housing Material	Metal
Mounting IEC/EN 60715	35mm DIN Rail

Order Information

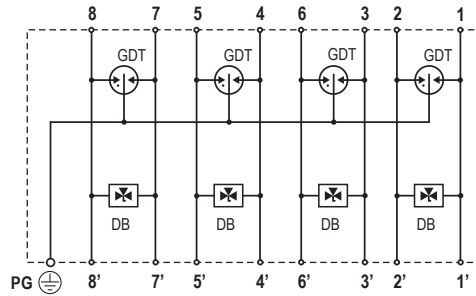
Order Code	48
NET 6 POE	706 312

RayDat NET 6 POE

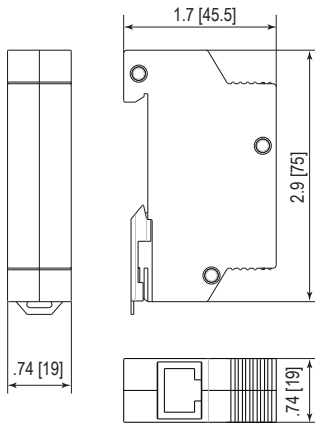
Internal Configuration

Legend

- DB Diode Block
- GDT Gas Discharge Tube
- PG Protective Grounding



Dimensions & Packaging



NET 6 POE

48

Dimensions

Weight per Unit	4.23 oz [120 g]
Dimensions DIN 43880	.74" [19 mm]
Packaging Dimensions (Single Unit)	3.1 x .91 x 4.3" [78 x 23 x 108 mm]
Minimum Package Quantity	12 pieces

inches
[mm]

Information contained in this document is subject to change at any time without notice.

