

ProTube T1 0+1

Class I • Class II • Type 1 • Type 2 • Type 1CA • Open Type 1 SPD Listed



Location of Use: Main Distribution Boards
 Network Systems: TT, TN-S
 Mode of Protection: N-PE
 IEC/EN/UL Category: Class I+II / Type 1+2 / Type 1CA, Open Type 1 SPD Listed
 Housing: Pluggable Design
 Compliance: IEC 61643-11:2011
 EN 61643-11:2012 +A11:2018
 UL 1449 5th Edition

Technical Data

ProTube T1-xxx-0+1 & ProTube T1-xxx-0+1-US

50

100

IEC Electrical		50	100
Maximum Continuous Operating Voltage	U_c	305 V	305 V
Nominal Discharge Current (8/20 μ s)	I_n	50 kA	100 kA
Maximum Discharge Current (8/20 μ s)	I_{max}	100 kA	150 kA
Impulse Discharge Current (10/350 μ s)	I_{imp}	50 kA	100 kA
Specific Energy	W/R	625 kJ/ Ω	2500 kJ/ Ω
Charge	Q	25 As	50 As
Voltage Protection Level	U_p	1500 V	1500 V
Follow Current Interrupt Rating (AC)	I_{fi}	100 A	100 A
Response Time	t_A	< 100 ns	< 100 ns
TOV Withstand 200ms	U_T	1200 V	1200 V
Number of Ports		1	1
UL Electrical		50	100
Maximum Continuous Operating Voltage (AC)	MCOV	305V	305V
Voltage Protection Rating	VPR	1200V	1200V
Nominal Discharge Current (8/20 μ s)	I_n	20 kA	20 kA
Additional Electrical Parameters (Tests performed within Raycap testing laboratory only)			
Residual Voltage at 5 kA (8/20 μ s)	U_{res}	305V	305V
Mechanical & Environmental		50	100
Operating Temperature Range	T_a	-40 °F to +185 °F [-40 °C to +85 °C]	
Permissible Operating Humidity	RH	5%...95%	
Altitude (max)		13123 ft [4000 m]	
Terminal Screw Torque	M_{max}	35 lbf-in per UL 1499 [4.5 Nm]	
Conductor Cross Section (max)		6 AWG (Solid, Stranded) per UL 1449 35 mm ² (Solid, Stranded) / 25 mm ² (Flexible)	
Mounting		35mm DIN Rail, EN 60715	
Degree of Protection		IP 20 (built-in)	
Housing Material		Thermoplastic: Extinguishing Degree UL 94 V-0	
Thermal Protection		Yes	
Operating State / Fault Indication		Green Flag / Not Green Flag	

Technical Data includes technical values for both UL Recognized and Open Type 1 UL Listed products.

Mechanical Data includes only technical values for Open Type 1 UL Listed products.

Connection Configurations can be found in QR Code link on intro page.

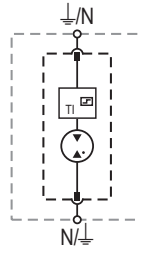


Internal Configuration

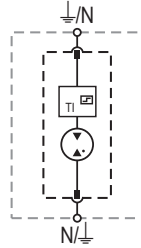
Legend

- N* Neutral Conductor Terminal
- \perp PE/G Conductor Terminal
- T1* Thermal Indication

UL Listed Products



UL Recognized Products



ProTube T1-xxx-0+1(-R)

Order Information VDE Certified and UL Recognized Products

Order Code	50	100
ProTube T1-xxx-0+1	59.0276	59.0278
ProTube T1-50-P (plug)	59.0269	-
ProTube T1-100-P (plug)	-	59.0271

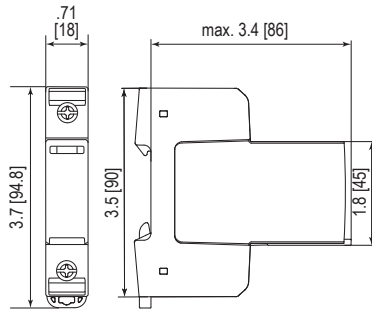
ProTube T1-xxx-0+1-US(-R)

Order Information VDE Certified and Open Type 1 UL Listed Products

Order Code	50	100
ProTube T1-xxx-0+1-US	59.B231	59.B232
ProTube T1-50-P (plug)	59.0269	-
ProTube T1-100-P (plug)	-	59.0271

Dimensions & Packaging

inches [mm]



Complete Unit UL Recognized Products

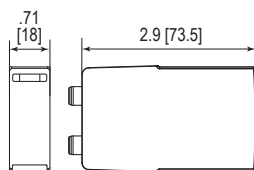
ProTube T1-xxx-0+1	50	100
Weight	pounds	.395
	grams	179

Complete Unit UL Listed Products

ProTube T1-xxx-0+1-US	50	100
Weight	pounds	.395
	grams	179

DIN 43880 Dimension	1 TE / .71" [18]
Packaging Dimensions (HxWxL)	4.3 x 4.5 x 13.8" [109 x 115 x 352 mm]
Standard Order Quantity	12 Units

Spare Plug



Single Unit

ProTube T1-xxx-P	50	100
Weight	pounds	.251
	grams	97

DIN 43880 Dimension	1 TE / .71" [18]
Packaging Dimensions (HxWxL)	4.3 x 4.5 x 13.8" [109 x 115 x 352 mm]
Standard Order Quantity	28 Units