

DATA SHEET

Single-pole PCB Mount SPD Socket for PV System

PCB Socket T2 PV(-R)

Class II • Type 2 • Type 1CA



Location of Use: String box, Inverter
 Mode of Protection: (+)-PE, (-)-PE, (+)-(-)
 IEC/EN/UL Category: Class II / Type 2 / Type 1CA
 Housing: PCB Mount
 Compliance: IEC 61643-31:2018
 EN 61643-31:2019
 UL 1449 5th Edition

Technical Data**PCB Socket T2 PV(-R)****EN Electrical**

Maximum Continuous Operating Voltage (PV)	U_{OPV}	up to 750V
Nominal Discharge Current (8/20 μ s)	I_n	up to 20 kA
Maximum Discharge Current (8/20 μ s)	I_{max}	up to 40 kA
Short-Circuit Current Rating	I_{SCPV}	up to 11 kA
Number of Ports		1

UL Electrical

Maximum Permitted DC Voltage	V_{pVdc}	up to 750V
Nominal Discharge Current (8/20 μ s)	I_n	up to 20 kA
Short-Circuit Current Rating	SCCR	up to 65 kA

Mechanical & Environmental

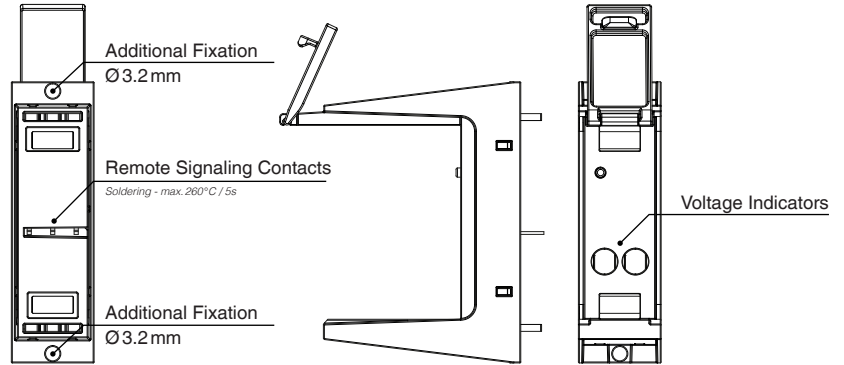
Operating Temperature Range	T_a	-40 °F to +185 °F [-40 °C to +85 °C]
Permissible Operating Humidity	RH	5%...95%
Altitude (max)		13123 ft [4000m]
Mounting		Printed Circuit Board (PCB)
Degree Of Protection		IP 20 (built-in PCB, with protection module plugged in)
Housing Material		Thermoplastic: Extinguishing Degree UL 94 V-0
Remote Contacts (RC)		Optional
RC Switching Capacity		AC: 250V/1A, 125V/1A; DC: 48V/0.5A, 24V/0.5A, 12V/0.5A

Order Information

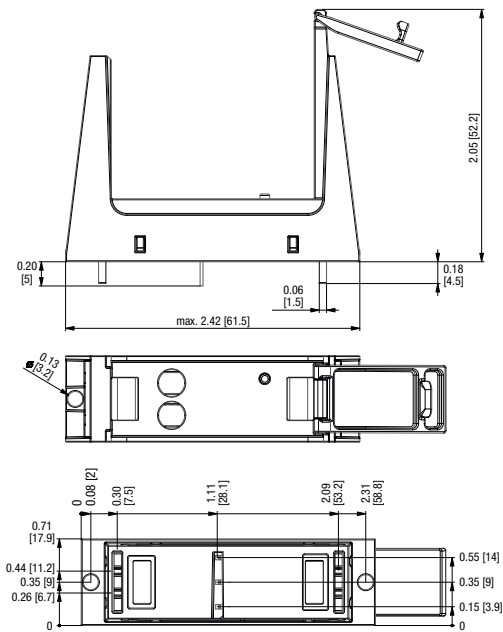
Without Remote Contact		With Remote Contact	
PCB Socket T2-125PV	515 739	PCB Socket T2-125PV-R	515 740
PCB Socket T2-250PV	515 741	PCB Socket T2-250PV-R	515 742
PCB Socket T2-300PV	515 231	PCB Socket T2-300PV-R	515 232
PCB Socket T2-550PV	515 163	PCB Socket T2-550PV-R	515 165
PCB Socket T2-600PV	515 743	PCB Socket T2-600PV-R	515 744
PCB Socket T2-600PVG	515 217	PCB Socket T2-600PVG-R	515 219
PCB Socket T2-600PVG-G	515 218	PCB Socket T2-600PVG-G-R	515 220
PCB Socket T2-750PV	515 164	PCB Socket T2-750PV-R	515 166

PCB Socket T2 PV(-R)

Installation Configuration



Complete Unit



Single Unit Dimensions & Packaging

PCB Socket T2 PV

Weight	pounds	.044
	grams	20g

PCB Socket T2 PV-R

Weight	pounds	.046
	grams	21g

DIN 43880 Dimension	1 TE / .71" [18]
Packaging Dimensions (H x W x L)	14.8 x 2.5 x 2.6" [377 x 64 x 67 mm]
Standard Order Quantity	20 Units

inches
[mm]

Information contained in this document is subject to change at any time without notice.

