

PCB Socket T1 PV(-R)

Class I • Class II • Type 1 • Type 2 • Type 1CA



Location of Use: String box, Inverter
 Mode of Protection: (+)-PE, (-)-PE, (+)-(-)
 IEC/EN/UL Category: Class I+II, Type 1+2 / Type 1CA
 Housing: PCB Mount
 Compliance: IEC 61643-31:2018
 EN 61643-31:2019
 UL 1449 5th Edition

Technical Data

PCB Socket T1 PV(-R)

EN Electrical

Maximum Continuous Operating Voltage (PV)	U_{OPV}	up to 750V
Nominal Discharge Current (8/20 μ s)	I_n	up to 20kA
Impulse Discharge Current (10/350 μ s)	I_{imp}	up to 6.25kA
Specific Energy	W/R	up to 9.77 kJ/ Ω
Charge	Q	up to 3.125As
Maximum Discharge Current (8/20 μ s)	I_{max}	up to 40kA
Short-Circuit Current Rating	I_{SCPV}	up to 30kA
Number of Ports		1

UL Electrical

Maximum Permitted DC Voltage	V_{pvdcc}	up to 750V
Nominal Discharge Current (8/20 μ s)	I_n	up to 20kA
Short-Circuit Current Rating	SCCR	up to 65kA

Mechanical & Environmental

Operating Temperature Range	T_a	-40 °F to +185 °F [-40 °C to +85 °C]
Permissible Operating Humidity	RH	5%...95%
Altitude (max)		13123 ft [4000m]
Mounting		Printed Circuit Board (PCB)
Degree Of Protection		IP 20 (built-in PCB, with protection module plugged in)
Housing Material		Thermoplastic: Extinguishing Degree UL 94 V-0
Remote Contacts (RC)		Optional
RC Switching Capacity		AC: 250V/1A, 125V/1A; DC: 48V/0.5A, 24V/0.5A, 12V/0.5A

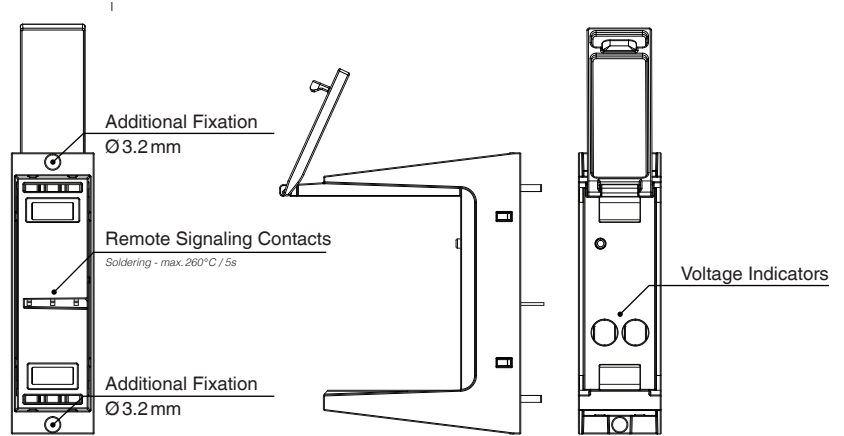
Order Information

Without Remote Contact		With Remote Contact	
PCB Socket T1-300PV	515 227	PCB Socket T1-300PV-R	515 228
PCB Socket T1-300PV-M	515 229	PCB Socket T1-300PV-M-R	515 230
PCB Socket T1-300PV-01-E*	515 233	PCB Socket T1-300PV-01-E-R*	515 234
PCB Socket T1-550PV	515 155	PCB Socket T1-550PV-R	515 159
PCB Socket T1-550PV-M	515 156	PCB Socket T1-550PV-M-R	515 160
PCB Socket T1-550PV-00*	515 235	PCB Socket T1-550PV-00-R*	515 237
PCB Socket T1-550PV-00M*	515 236	PCB Socket T1-550PV-00M-R*	515 238
PCB Socket T1-550PV-01M-E*	515 223	PCB Socket T1-550PV-01M-E-R*	515 224
PCB Socket T1-600PVG*	515 209	PCB Socket T1-600PV-R*	515 213
PCB Socket T1-600PVG-G*	515 210	PCB Socket T1-600PVG-G-R*	515 214
PCB Socket T1-600PVG-E*	515 211	PCB Socket T1-600PVG-E-R*	515 215
PCB Socket T1-600PVG-G-E*	515 212	PCB Socket T1-600PVG-G-E-R*	515 216
PCB Socket T1-750PV	515 157	PCB Socket T1-750PV-R	515 161
PCB Socket T1-750PV-M	515 158	PCB Socket T1-750PV-M-R	515 162
PCB Socket T1-750PV-01-E	515 225	PCB Socket T1-750PV-01-E-R	515 226
PCB Socket T1-750PV-S	515 207		

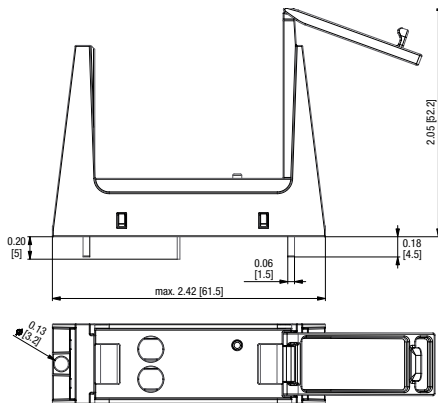
*Product with T2 sized locking clip.

Installation Configuration

PCB Socket T1 PV(-R)



Complete Unit



Single Unit Dimensions & Packaging

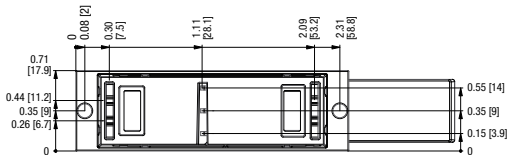
PCB Socket T1 PV

Weight	pounds	.046
	grams	21 g

PCB Socket T1 PV-R

Weight	pounds	.048
	grams	22 g

DIN 43880 Dimension	1 TE / .71" [18]
Packaging Dimensions (H x W x L)	14.8 x 2.5 x 2.6" [377 x 64 x 67 mm]
Standard Order Quantity	20 Units



inches
[mm]

Information contained in this document is subject to change at any time without notice.

