

Single-pole PCB Mount SPD Socket for AC System
PCB Socket T1(-R)
 Class I • Class II • Type 1 • Type 2



Location of Use: Indoor - to be firmly fixed to PCB
 Network Systems: TN, TT (only L-N)
 Mode of Protection: L-PE, N-PE (only TN-S), L-PEN
 IEC/EN Category: Class I+II, Type 1+2
 Housing: PCB Mount
 Compliance: IEC 61643-11:2011
 EN 61643-11:2012

Technical Data

PCB Socket T1(-R)

IEC Electrical

Nominal AC Voltage (50/60 Hz)	U_o / U_n	up to 600V
Maximum Continuous Operating Voltage (AC)	U_c	up to 750V
Nominal Discharge Current (8/20 μ s)	I_n	up to 25 kA
Maximum Discharge Current (8/20 μ s)	I_{max}	up to 65 kA
Impulse Discharge Current (10/350 μ s)	I_{imp}	up to 25 kA
Specific Energy	W/R	up to 156.25 kJ/ Ω
Charge	Q	up to 12.5 As
Short-Circuit Current Rating	I_{SCCR}	up to 25 kA
Number of Ports		1

Mechanical & Environmental

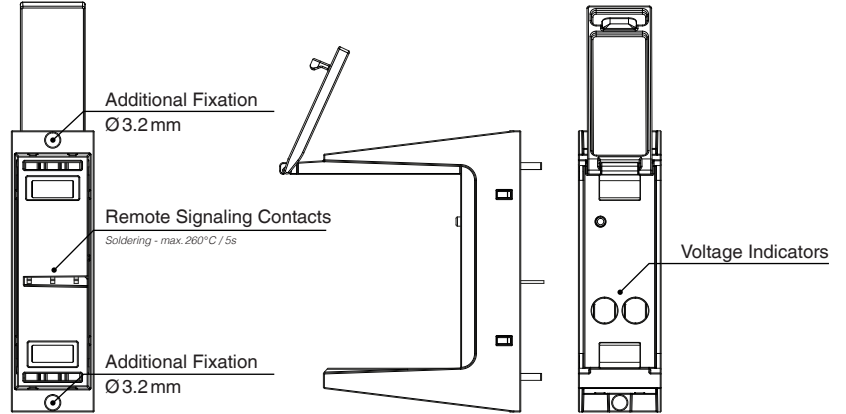
Operating Temperature Range	T_a	-40 °F to +185 °F [-40 °C to +85 °C]
Permissible Operating Humidity	RH	5%...95%
Altitude (max)		13123 ft [4000 m]
Mounting		Printed Circuit Board (PCB)
Degree Of Protection		IP 20 (built-in PCB, with protection module plugged in)
Housing Material		Thermoplastic: Extinguishing Degree UL 94 V-0
Remote Contacts (RC)		Optional
RC Switching Capacity		AC: 250V/1A, 125V/1A; DC: 48V/0.5A, 24V/0.5A, 12V/0.5A

Order Information

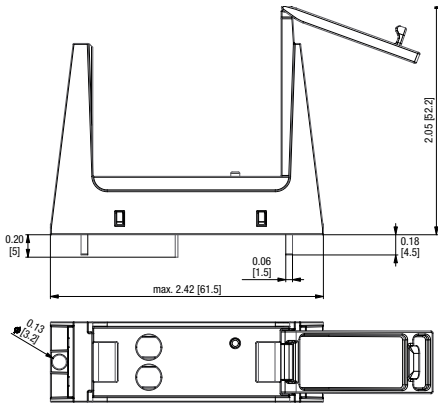
Without Remote Contact		With Remote Contact	
PCB Socket T1-75	515 167	PCB Socket T1-75-R	515 175
PCB Socket T1-150	515 168	PCB Socket T1-150-R	515 176
PCB Socket T1-300	515 169	PCB Socket T1-300-R	515 177
PCB Socket T1-350	515 170	PCB Socket T1-350-R	515 178
PCB Socket T1-480	515 171	PCB Socket T1-480-R	515 179
PCB Socket T1-750	515 173	PCB Socket T1-750-R	515 181

Installation Configuration

PCB Socket T1(-R)



Complete Unit



Single Unit Dimensions & Packaging

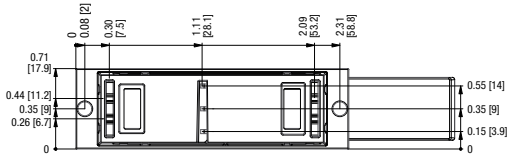
PCB Socket T1

Weight	pounds	.046
	grams	21 g

PCB Socket T1-R

Weight	pounds	.048
	grams	22 g

DIN 43880 Dimension	1 TE / .71" [18]
Packaging Dimensions (H x W x L)	14.8 x 2.8 x 2.6" [37.5 x 7 x 6.5mm]
Standard Order Quantity	1 Unit



inches
[mm]

Information contained in this document is subject to change at any time without notice.

