

**ProTec T2-PV 3+0**

Type 2 • Type 1CA



Location of Use: String box, Inverter  
 Mode of Protection: (+)-PE, (-)-PE, (+)-(-)  
 EN/UL Category: Type 2 / Type 1CA  
 Housing: Pluggable Design  
 Compliance: EN 50539-11:2013+A1:2014  
 UL 1449 4<sup>th</sup> Edition

**Technical Data**

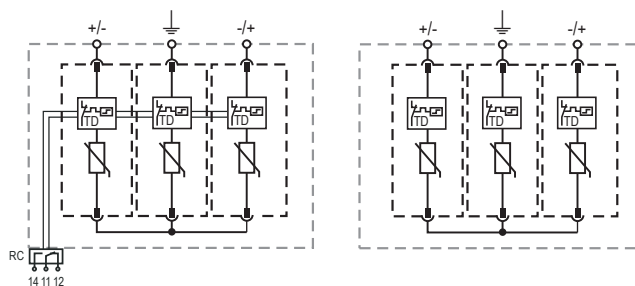
ProTec T2-xxxxPV-3+0(-R)		1100	1500
<b>EN Electrical</b>			
Maximum Continuous Operating Voltage (PV)	$U_{OPV}$	1100 V	1500 V
Nominal Discharge Current (8/20 $\mu$ s)	$I_n$	20 kA	
Maximum Discharge Current (8/20 $\mu$ s)	$I_{max}$	40 kA	30 kA
Total Discharge Current	$I_{Total}$	50 kA	40 kA
Voltage Protection Level	$U_p$	3800 V	5000 V
Response Time	$t_A$	< 25 ns	
Short-Circuit Current Rating	$I_{SCPV}$	11 kA	
Number of Ports		1	
<b>UL Electrical</b>			
Maximum Permitted DC Voltage	$V_{pVdc}$	1100 V	1500 V
Voltage Protection Rating	VPR	2500 V	4000 V
Nominal Discharge Current (8/20 $\mu$ s)	$I_n$	20 kA	
Short-Circuit Current Rating	SCCR	50 kA	65 kA
<b>Mechanical &amp; Environmental</b>			
Operating Temperature Range	$T_a$	-40 °F to +185 °F [-40 °C to +85 °C]	
Permissible Operating Humidity	RH	5%...95%	
Altitude (max)		13123 ft [4000 m]	
Terminal Screw Torque	$M_{max}$	39.9 lbf-in [4.5 Nm]	
Conductor Cross Section (max)		2 AWG (Solid, Stranded) / 4 AWG (Flexible) 35 mm <sup>2</sup> (Solid, Stranded) / 25 mm <sup>2</sup> (Flexible)	
Mounting		35 mm DIN Rail, EN 60715	
Degree of Protection		IP 20 (built-in)	
Housing Material		Thermoplastic: Extinguishing Degree UL 94 V-0	
Thermal Protection		Yes	
Operating State / Fault Indication		Green Flag / Not Green Flag	
Remote Contacts (RC)		Optional	
RC Switching Capacity		AC: 250 V / 1 A, 125 V / 1 A; DC: 48 V / 0.5 A, 24 V / 0.5 A, 12 V / 0.5 A	
RC Conductor Cross Section (max)		16 AWG (Solid) / 1.5 mm <sup>2</sup> (Solid)	
<b>Order Information</b>			
Order Code		1100	1500
ProTec T2-xxxxPV-3+0		59.0292	59.0295
ProTec T2-xxxxPV-3+0-R (with remote contacts)		59.0293	59.0296
ProTec T2-550PV-P (plug)		59.0291	-
ProTec T2-750PV-P (plug)		-	59.0294

## ProTec T2-PV 3+0

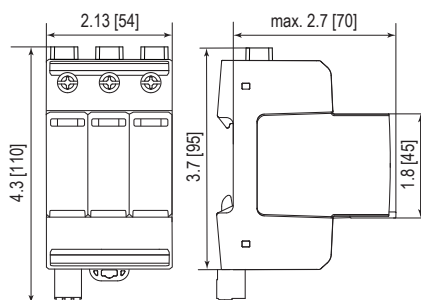
### Internal Configuration

#### Legend

- +/-, -/+ + or - Conductor Terminal
- ⊥ PE/G Conductor Terminal
- RC Remote Contacts Terminal (Optional)
- TD Thermal Disconnect



### Complete Unit

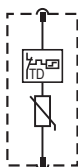


#### Complete Unit Dimensions & Packaging

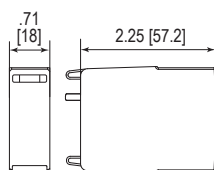
		1100	1500
<b>ProTec T2-xxxxPV-3+0</b>	Weight	pounds .806	.879
		grams 366	399
<b>ProTec T2-xxxxPV-3+0-R</b>	Weight	pounds .817	.890
		grams 371	404
DIN 43880 Dimension	3 TE / 2.13" [54]		
Packaging Dimensions (HxWxL)	4.3 x 4.5 x 13.8" [109 x 115 x 352 mm]		
Standard Order Quantity	5 Units		

### Plug Internal Configuration

#### ProTec T2-XXXPV-P



### Spare Plug



#### Single Unit Dimensions & Packaging

		550	750
<b>ProTec T2-xxxPV-P</b>	Weight	pounds .150	.174
		grams 68	79
DIN 43880 Dimension	1 TE / .71" [18]		
Packaging Dimensions (HxWxL)	3.2 x 4.5 x 12" [83 x 115 x 305 mm]		
Standard Order Quantity	24 Units		

inches  
[mm]

Information contained in this document is subject to change at any time without notice.

