

Raycap

Custom Cabinet Solutions



About Raycap



Raycap is a privately-held technology solutions provider offering products and services that support and protect the world's critical telecommunications, energy, transportation and other infrastructure.

Since 1987 Raycap has built a worldwide organization with offices and production facilities throughout Europe and in North America. The company combines advanced engineering, superior product design, systems integration and manufacturing capability with a deep understanding of the needs of the customer to create unique technological solutions for mission-critical applications. It also offers engineering services such as custom product design and site surveys, as well as warehousing, logistics, customer training, and much more.

The company's comprehensive understanding of customer needs and the industries in which they operate is crucial to its ability to develop effective products and

solutions that integrate the latest technology with the highest quality of service.

The Raycap team of talented, highly experienced staff works together with customers to find the best-fit solutions. As a result, more than half of the products delivered are custom-built for unique customer applications and to their specifications. From rigorous internal and independent testing to a consultative customer-focused approach, Raycap is determined to deliver the highest quality products with responsiveness, innovation and agility.





RCAB-OD-9367

Outdoor Cabinet for Active Equipment



The RCAB-OD-9367 is an outdoor cabinet system that provides maximum protection of customer's equipment against vandalism and extreme weather conditions. This cabinet is the ideal solution for installations over existing cross connect cabinets in parallel with the hosting of active and passive telecom equipment.

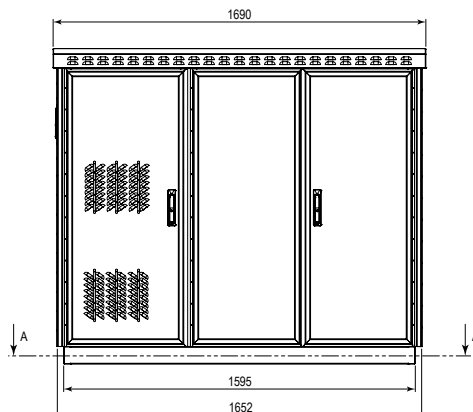
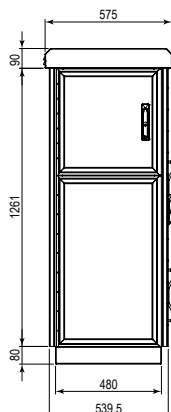
- Dual wall aluminum
- Robust design
- Modular design
- Easy installation process
- Panel profile technology
- Excellent heat dissipation
- 19" technology with moving frames
- Cooling capacity by using heat exchanger
- Customer specific integrations
- Left and right type available, depending on the installation site

Environmental & Mechanical Specifications*

Environmental	
Protection Class	IP55
Impact Protection	IK10
Operating Temperature	-45°C to +45°C (ES 300 019-1-4, Class 4.1 E)
Storage Temperature	-25°C to +55°C (ES I 300 019-1-1, Class 1.2)
Transportation Temperature	-40°C to +70°C (ES 300 019-1-2, Class 2.3)
Earthquake	Zone 4
Mechanical	
Construction	Aluminum Alloy
Surface/Color	Powder Coated RAL 7035
Dimensions (H×W×D)	1431 × 1690 × 575 mm
Reserved for PSU with DC Distribution	1U 19" (extra 1U for DC terminals)
Reserved for ODF	1U
Reserved for AC PDU	3U
Free User Space	10U 19"
Locking Mechanism	3-point Locking System
Doors	3 with Door Stopper and Document Holder 3 × Swivel Handle**, Separate Power Meter Compartment Door
Cable Entry	Bottom, Cable Glands in Equipment Compartment
Temperature Control	
Cooling System	60 W/K Heat Exchanger
Heater	Included
Sensors	
Sensors Included	Door Alarm Contact, Smoke Sensor, Temperature Sensor, Flood Sensor

* Modifications according to customer's requests are possible.

** Locking mechanism available upon request.





RCAB-OD-6849

Outdoor Cabinet for Active Equipment



The RCAB-OD-6849 is an outdoor cabinet system that provides maximum protection of customer's equipment against vandalism and extreme weather conditions. Due to its small dimensions, the cabinet is the ideal solution for installations in residential areas.

- Dual wall aluminum
- Robust design
- Modular design
- Easy installation process
- Panel profile technology
- Excellent heat dissipation
- 19" technology with moving frames
- Cooling capacity by using heat exchanger
- Customer specific integrations

Environmental & Mechanical Specifications*

Environmental

Protection Class	IP55
Impact Protection	IK10
Operating Temperature	-45°C to +45°C (ES 300 019-1-4, Class 4.1 E)
Storage Temperature	-25°C to +55°C (ES 300 019-1-1, Class 1.2)
Transportation Temperature	-40°C to +70°C (ES 300 019-1-2, Class 2.3)
Earthquake	Zone 4

Mechanical

Construction	Aluminum Alloy
Surface/Color	Powder Coated RAL 7035
Dimensions (H x W x D)	1522 x 1198 x 444 mm
Reserved for PSU with DC Distribution	1U 19" (extra 1U for DC terminals)
Reserved for ODF	1U
Reserved for AC PDU	3U
Free User Space	10U 19"
Locking Mechanism	3-point Locking System
Doors	3 with Door Stopper and Document Holder 3 x Swivel Handle**, Separate Power Meter Compartment Door
Cable Entry	Bottom, Cable Glands

Temperature Control

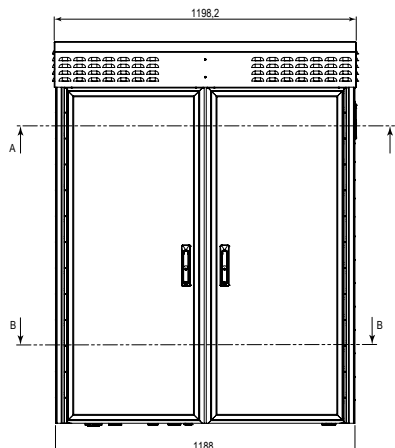
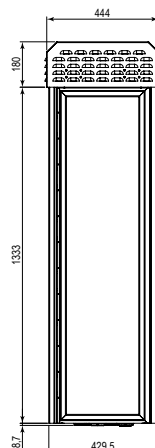
Cooling System	60 W/K Heat Exchanger
Heater	Included

Sensors

Sensors Included	Door Alarm Contact, Smoke Sensor, Temperature Sensor, Flood Sensor
------------------	--

* Modifications according to customer's requests are possible.

** Locking mechanism available upon request.





RCAB-OD-4535 MFG 8

Outdoor Cabinet for
Active & Passive
Equipment



The RCAB-OD-4535 is an outdoor cabinet system that provides maximum protection of customer's equipment against vandalism and extreme weather conditions.

This cabinet is the ideal solution for installations hosting active and passive telecom equipment.

- Dual wall aluminum
- Robust design
- 100% Modular design
- Easy installation process
- Rack technology with moving frames
- Cabinet parts are replaceable without service interruption
- Excellent passive heat conductivity
- Cooling system including heat exchanger
- Customer specific integrations

Environmental & Mechanical Specifications*

Environmental

Protection Class	IP54
Resistance Class	RC2 (EN 1627:2011)
Operating Temperature	-33°C to +45°C (ES 300 019-1-4, Class 4.1)
Storage Temperature	-33°C to +45°C (ES 300 019-1-1, Class 1.3)
Transportation Temperature	-40°C to +70°C (ES 300 019-1-2, Class 2.3)

Mechanical

Construction	Aluminum
Surface/Color	Powder Coated RAL 7035 (Color options available on request)
Dimensions (H x W x D)	1600 x 1000 x 500 mm
Racks	1 x Rack 19"/ETSI, 1-bay System for Disconnection Modules
Locking Mechanism	3-point Locking System
Doors	1 with Door Stopper and Document Holder 1 x Swivel Handle**
Cable Entry	1 x Split Cable Entry Plate With 8 Grommets (Optional Gland Configuration)
Plinth	Stainless Steel/Magnelis, 4 Adjustable Leveling Feet
Plastics	High Recyclable, Halogen Free
Specification Standards	TS 0273/96

Temperature Control

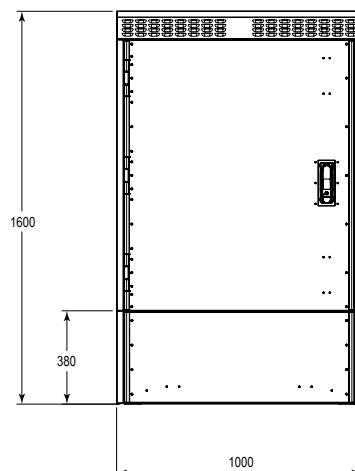
Cooling System	Heat Exchanger
----------------	----------------

Sensors

Sensors Included	Door Alarm Contact, Temperature Sensor
Optional Sensors	Smoke Sensor, Flood Sensor

* Modifications to customer requests are possible.

** Locking mechanism available upon request.





RCAB-OD-7474 MFG 12

Outdoor Cabinet for
Active & Passive
Equipment



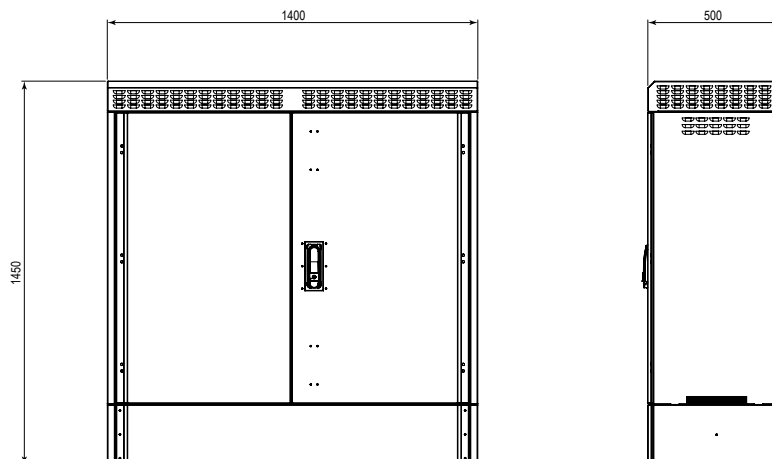
RCAB-OD-7474 is a modular double-wall multifunctional cabinet that provides maximum protection of customer's equipment against vandalism and extreme weather conditions. This cabinet with cooling technology is installed outdoors and due to its small dimensions the cabinet is the ideal solution for installations hosting active and passive telecom equipment in residential areas.

- Dual wall aluminum
- Robust design
- 100% modular design
- Easy installation process
- Cabinet parts are replaceable without service interruption
- Excellent passive heat conductivity
- Cooling system including heat exchanger
- Rack technology with moving frames
- Customer specific integrations

Environmental & Mechanical Specifications*

Environmental	
Protection Class	IP 54
Resistance Class	RC2 (EN 1627: 2011)
Operating Temperature	-33°C to +45°C (ES 300 019-1-4, Class 4.1)
Storage Temperature	-33°C to +45°C (ES 300 019-1-1, Class 1.3)
Transportation Temperature	-40°C to +70°C (ES 300 019-1-2, Class 2.3)
Mechanical	
Construction	Aluminum
Surface/Color	Powder Coated RAL 7035 (Color options available on request)
Dimensions (H×W×D)	1450 × 1400 × 500mm / 1600 × 1400 × 500mm
Racks	2 × Racks 19"/ETSI, (2 × 38SU), 3-bay System Mountable in Rack
Locking Mechanism	3-point Locking System
Doors	2 with Door Stopper and Document Holder 1 × Swivel Handle**
Cable Entry	1 × Split Cable Entry Plate with 14 Grommets (Optional Gland Configuration)
Plinth	Stainless Steel/Magnelis, 4 Adjustable Leveling Feet
Plastics	High Recyclable, Halogen Free
Specification Standards	TS 0273/96
Temperature Control	
Cooling System	Heat Exchanger/Fan Filter System (Micro-LAT)
Sensor	
Sensors Included	Door Alarm Contact, Temperature Sensor
Optional Sensors	Smoke Sensor, Flood Sensor

* Modifications according to customer's requests are possible.
** Locking mechanism available upon request.





RCAB-OD-8040 MFG 15

Outdoor Cabinet for
Active & Passive
Equipment



RCAB-OD-8040 is a modular double-wall multifunctional cabinet that provides maximum protection of customer's equipment against vandalism and extreme weather conditions. This cabinet with cooling technology is the ideal solution for installations over existing cross connect cabinets in parallel with the hosting of active and passive telecom equipment.

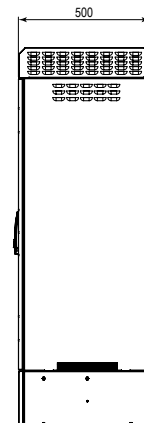
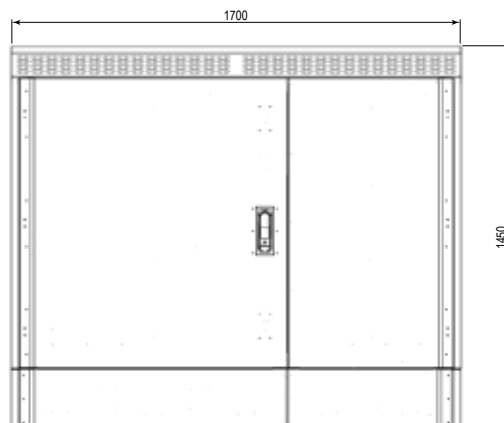
- Double wall aluminum
- Robust design
- 100% modular design
- Easy installation process
- Cabinet parts are replaceable without service interruption
- Excellent passive heat conductivity
- Cooling system including heat exchanger
- Rack technology with mounting frames
- Left and right type available
- Customer specific integrations

Environmental & Mechanical Specifications*

Environmental	
Protection Class	IP 54
Resistance Class	RC2 (EN 1627: 2011)
Operating Temperature	-33°C to +45°C (ES 300 019-1-4, Class 4.1)
Storage Temperature	-33°C to +45°C (ES 300 019-1-1, Class 1.3)
Transportation Temperature	-40°C to +70°C (ES 300 019-1-2, Class 2.3)
Mechanical	
Construction	Aluminum
Surface/Color	Powder Coated RAL 7035 (Color options available on request)
Dimensions (H x W x D)	1450 x 1700 x 500 mm
Racks	up to 2 x Racks 19"/ETSI, (2 x 38SU), 1 x Telecom Rack
Locking Mechanism	3-point Locking System
Doors	2 with Door Stopper and Document Holder 1 x Swivel Handle**
Cable Entry	1 x Universal Foam in MDF Area 1 x Split Cable Entry Plate with 14 Grommets in Rack Area (Optional Gland Configuration)
Plinth	Stainless Steel/Magnelis, 4 Adjustable Leveling Feet
Plastics	High Recyclable, Halogen Free
Specification Standards	TS 0273/96
Temperature Control	
Cooling System	Heat Exchanger/Fan Filter System (Mini-LAT)
Sensors	
Sensors Included	Door Alarm Contact, Temperature Sensor
Optional Sensors	Smoke Sensor, Flood Sensor

* Modifications according to customer's requests are possible.

** Locking mechanism available upon request.





RCAB-OD-5306 MFG 18

Outdoor Cabinet for
Active & Passive
Equipment



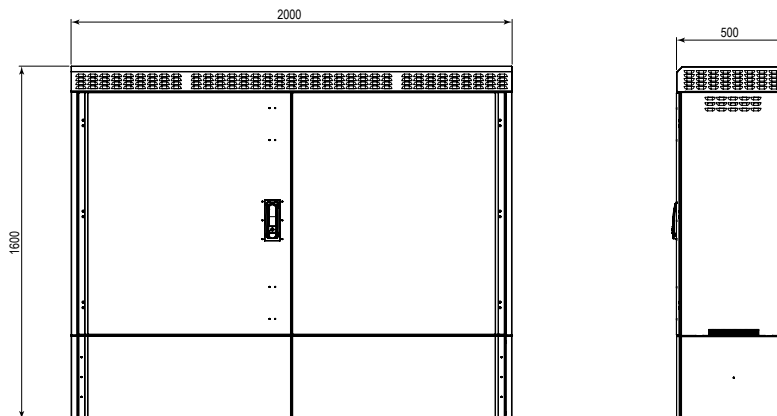
RCAB-OD-5306 is a modular double-wall multifunctional cabinet that provides maximum protection of customer's equipment against vandalism and extreme weather conditions. This cabinet with cooling technology is installed outdoors and is the ideal solution for hosting demanding and sensitive active and passive equipment.

- Double wall aluminum
- Robust design
- 100% modular design
- Easy installation process
- Cabinet parts are replaceable without service interruption
- Excellent passive heat conductivity
- Cooling system including heat exchanger
- Rack technology with moving frames
- Left and right type available
- Customer specific integrations

Environmental & Mechanical Specifications*

Environmental	
Protection Class	IP 54
Resistance Class	RC2 (EN 1627: 2011)
Operating Temperature	-33°C to +45°C (ES 300 019-1-4, Class 4.1)
Storage Temperature	-33°C to +45°C (ES 300 019-1-1, Class 1.3)
Transportation Temperature	-40°C to +70°C (ES 300 019-1-2, Class 2.3)
Mechanical	
Construction	Aluminum
Surface/Color	Powder Coated RAL 7035 (Color options available on request)
Dimensions (H x W x D)	1600 x 2000 x 500 mm
Racks	MFG10 18 3 x Racks 19"/ETSI, (3 x 38SU), 3-bay System Mountable in Rack MFG10 18Ü 1 x Rack 19"/ETSI, (38SU) 1 x Triple Telecom Rack
Locking Mechanism	3-point Locking System
Doors	2 with Door Stopper and Document Holder 1 x Swivel Handle**
Cable Entry	MFG10 18 1 x Split Cable Entry Plate with 21 Grommets in Rack Area MFG10 18Ü 1 x Universal Foam in the MDF Area, 1 x Split Cable Entry Plate with Grommets in the Telecom Rack Area (Optional Gland Configuration)
Plinth	Stainless Steel/Magnelis, 4 Adjustable Leveling Feet
Plastics	High Recyclable, Halogen Free
Specification Standards	TS 0273/96
Temperature Control	
Cooling System	2 x Heat Exchanger/Fan Filter System (LAT)
Sensors	
Sensors Included	Door Alarm Contact, Temperature Sensor
Optional Sensors	Smoke Sensor, Flood Sensor

* Modifications according to customer's requests are possible.
** Locking mechanism available upon request.





RCAB-OD-2731

Outdoor Cabinet for Active Equipment Type C4



Electrical, Environmental & Mechanical Specifications*

Environmental

Protection Class	IP 55
Operating Temperature	-33°C to +45°C (ES 300 019-1-4, Class 4.1 E)
Storage Temperature	-25°C to +55°C (ES 300 019-1-1, Class 1.2)
Transportation Temperature	-40°C to +70°C (ES 300 019-1-2, Class 2.3)
Earthquake	Zone 4

Mechanical

Construction	Aluminum
Surface/Color	Powder Coated RAL 7035, Anti-graffiti Paint Available
Dimensions (H x W x D)	1373 x 800 x 254 mm
AC PDU Mounting Space	3U
Active Equipment Mounting Space	Up to 3U 19"
Locking Mechanism	3-point Locking System
Doors	Single Door Stopper Separate Power Meter Compartment Door x Swivel Handle**
Cable Entry	Bottom: 1 x MG40, 1 x PG9, 1 x M20, 2 x Double Grommets
Main Distribution Frame	250 Pairs
Optical Distribution Frame	Box with 4 Fiber Terminations

Temperature Control

Cooling System	Passive Assisted by Active Equipment's Fan
----------------	--

Sensors

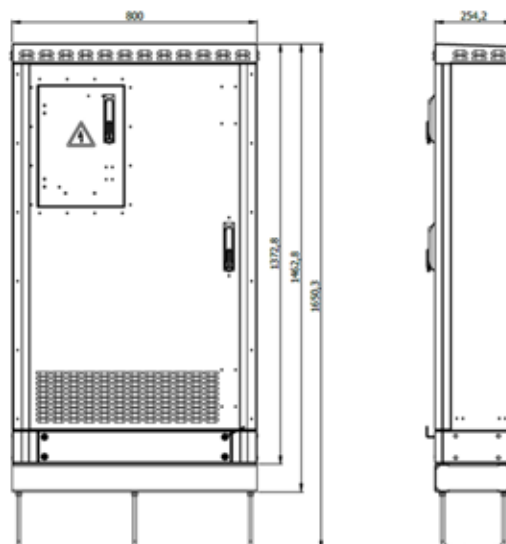
Sensors Included	Door Alarm Contact
------------------	--------------------

* Modifications to customer requests are possible.
** Locking mechanism available upon request.

The RCAB-OD-2731 is an outdoor cabinet system that provides maximum protection of customer's equipment against vandalism and extreme weather conditions.

This cabinet is the ideal solution for installations where lack of space is a challenge, both in urban and rural environments.

- Dual wall aluminum door, single wall aluminum shell
- Robust design
- Easy installation process
- Rotating mounting frame for the active equipment
- Separate power meter compartment with individual door
- Excellent passive heat conductivity
- Passive cooling system, taking advantage of the mounted active equipment's fan
- Customer specific integrations





RCAB-OD-7049
 Outdoor Cabinet for
 Active Equipment
 Type AC1



The RCAB-OD-7049 is an outdoor cabinet system that provides maximum protection of customer's equipment against vandalism and extreme weather conditions. This cabinet is the ideal solution for installations in residential areas.

- Dual wall aluminum
- Robust design
- Modular design
- Easy installation process
- Single phase AC configuration
- Built-in alarm and monitoring
- Solid profile technology
- Excellent heat dissipation
- Cooling system including heat exchanger
- Built to ETSI specification standards
- Customer specific integrations

Electrical, Environmental & Mechanical Specifications*

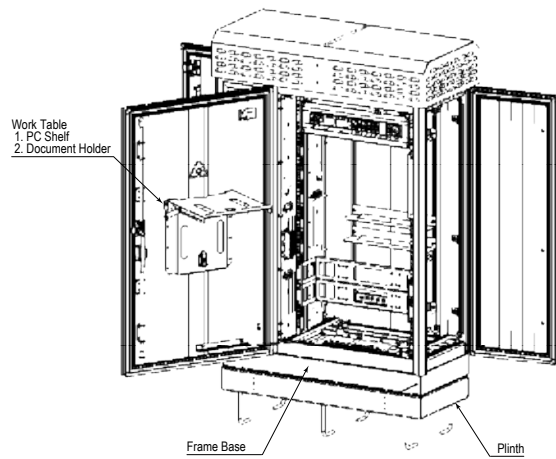
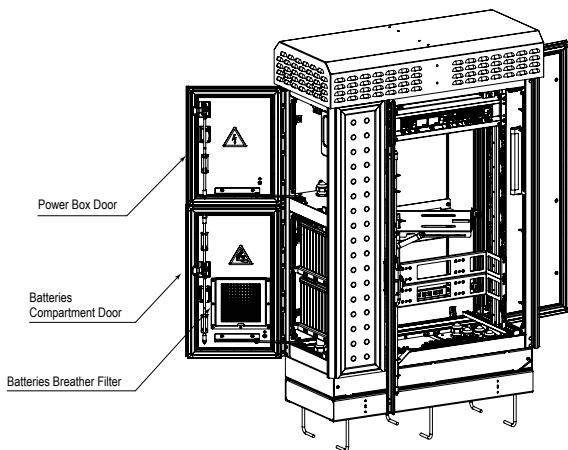
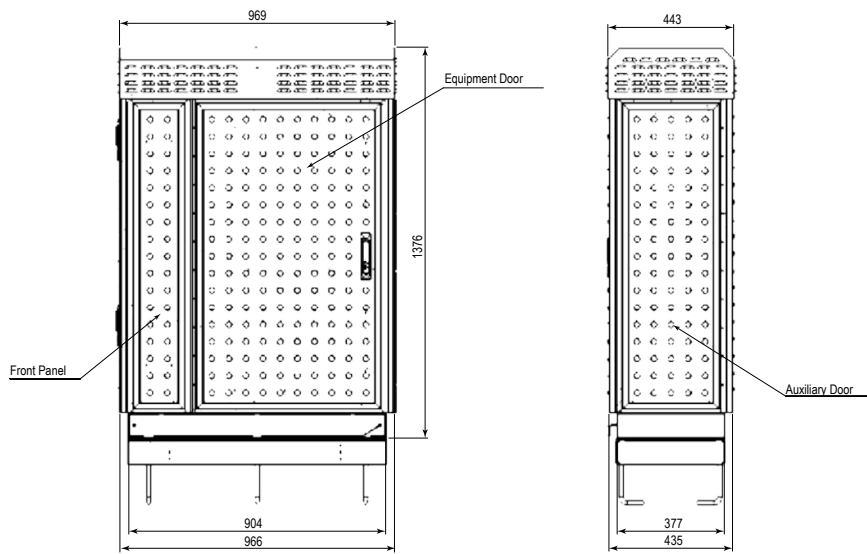
Environmental		
Protection Class		IP55
Impact Protection		IK10
Operating Temperature		-33°C to +45°C (ES 300 019-1-4, Class 4.1 E)
Storage Temperature		-25°C to +55°C (ES 300 019-1-1, Class 1.2)
Transportation Temperature		-40°C to +70°C (ES 300 019-1-2, Class 2.3)
Earthquake		Zone 4
Mechanical		
Construction		Aluminum Alloy
Surface/Color		Powder Coated RAL 7035
Dimensions (H×W×D)		1376 × 969 × 443 mm
Reserved for PSU		1U 19"
Reserved for AC PDU		3U 19"
Free User Space		11U 19"
Locking Mechanism		3-point Locking System
Doors		4-Front & Auxillary Equipment, Power Box & Battery Compartment
Cable Entry		Bottom
Battery Space (H×W×D)	2+2 Batteries	460 × 314 × 180 mm
Plinth		Hot Dip Galvanized Steel
Temperature Control		
Cooling System		55W/K Heat Exchanger
Controller Model		RDC-9320-E32A-48
Sensors		
Sensors Included		Door Alarm Contact, Smoke Sensor, Temperature Sensor, Flood Sensor

* Modifications to customer requests are possible.

** Locking mechanism available upon request.

RCAB-OD-7049
 Outdoor Cabinet for Active Equipment
 Type AC1

Product Diagram





RCAB-OD-1657

Outdoor Cabinet for Active Equipment



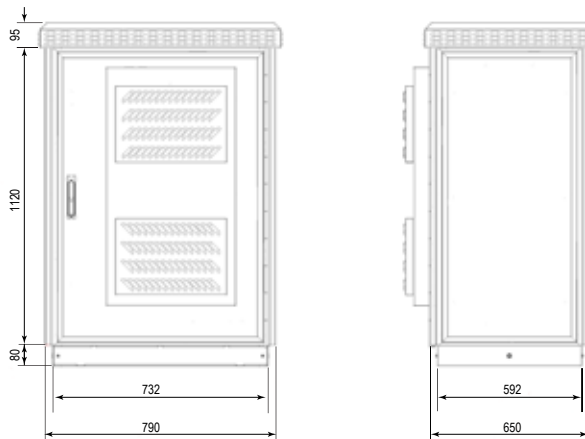
The RCAB-OD-1657 is an outdoor cabinet system that provides maximum protection of customer's equipment against vandalism and extreme weather conditions. This cabinet is the ideal solution for installations hosting active and passive telecom equipment.

- Dual wall aluminum
- Robust design
- Modular design
- Easy installation process
- Panel profile technology
- Excellent heat dissipation
- 19" technology with moving frames
- Cooling capacity by using heat exchanger
- Customer specific integrations

Environmental & Mechanical Specifications*

Environmental	
Protection Class	IP55
Impact Protection	IK10
Operating Temperature	-45°C to +45°C (ES 300 019-1-4, Class 4.1 E)
Storage Temperature	-25°C to +55°C (ES 300 019-1-1, Class 1.2)
Transportation Temperature	-40°C to +70°C (ES 300 019-1-2, Class 2.3)
Earthquake	Zone 4
Mechanical	
Construction	Double Aluminum Alloy
Surface/Color	Powder Coated RAL 7035
Dimensions (H x W x D)	1295 x 790 x 650 mm
Reserved for PSU with DC Distribution	1U 19"
DC to AC Inverter	400W Included
AC PDU	Included
MDF	Space for 20 x 10 LSA PLUS, 2 x 64 Split Modules
Free User Space	6U 19"
Locking Mechanism	3-point Locking System
Doors	1 with Door Stopper, Swivel Handle
Cable Entry	Bottom
Temperature Control	
Cooling System	Heat Exchanger
Heater	Included
Sensors	
Sensors Included	Door Alarm Contact, Smoke Sensor, Temperature Sensor, Flood Sensor

* Modifications to customer requests are possible.





RCAB-OD-1171

Outdoor Cabinet for Active Equipment



Environmental & Mechanical Specifications*

Environmental

Protection Class	IP55
Impact Protection	IK10
Operating Temperature	-45°C to +45°C (ES 300 019-1-4, Class 4.1 E)
Storage Temperature	-25°C to +55°C (ES 300 019-1-1, Class 1.2)
Transportation Temperature	-40°C to +70°C (ES 300 019-1-2, Class 2.3)
Earthquake	Zone 4

Mechanical

Construction	Double Aluminum Alloy
Surface/Color	Powder Coated RAL 7035
Dimensions (H x W x D)	1503 x 1770 x 637 mm
Reserved for PSU with DC Distribution	5U
Reserved for ODF	1U
Reserved for AC PDU	3U
Free User Space	2 x 24U Rack
Locking Mechanism	3-point Locking System
Doors	4 with Door Stopper and Document Holder 4 x Swivel Handle
Cable Entry	Bottom

Temperature Control

Cooling System	Heat Exchanger
Heater	Included

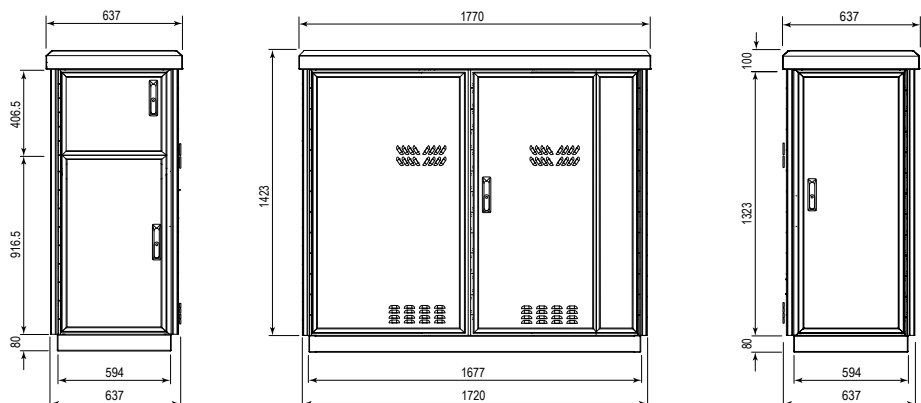
Sensors

Sensors Included	Door Alarm Contact, Smoke Sensor, Temperature Sensor, Flood Sensor
------------------	--

* Modifications to customer requests are possible.

The RCAB-OD-1171 is an outdoor cabinet system that provides maximum protection of customer's equipment against vandalism and extreme weather conditions. This cabinet is the ideal solution for installations of active & passive telecom equipment.

- Dual wall aluminum
- Robust design
- Modular design
- Easy installation process
- Panel profile technology
- Excellent heat dissipation
- ETSI technology with moving frames
- Cooling capacity by using heat exchanger
- Customer specific integrations
- Left and right type available, depending on the installation site





RCAB-OD-2734-FTTH

Outdoor Passive Cabinets for FTTH Applications



Environmental & Mechanical Specifications

The RCAB-OD-2734-FTTH is an outdoor cabinet system designed to enable smooth operation, flexibility and scalability. This cabinet is a highly reliable solution that effectively supports FTTH networks.

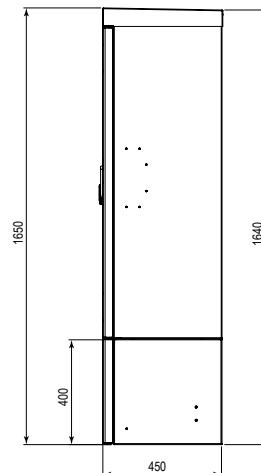
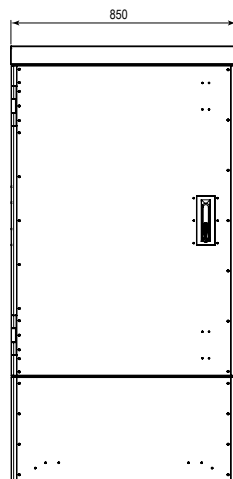
- Aluminum construction
- Robust design
- Modular design
- Easy installation process
- Panel bended technology
- 120° door opening with 3-point locking system
- Connections for up to 4 drop 48FO cable installations
- Document holder
- Feeder cable storage area
- Excellent fiber management
- Neat insertion, sealing and mechanical interception of micro ducts

Environmental

Protection Class	IP 55
Impact Protection	IK 10
Operating Temperature	-33°C to +45°C (ES 300 019-1-4, Class 4.1)
Storage Temperature	-40°C to +70°C (ES 300 019-1-1, Class 2.3)
Transportation Temperature	-40°C to +70°C (ES 300 019-1-2, Class 2.3)

Mechanical

Construction	Aluminum Alloy
Surface/Color	Powder Coated RAL 7035
Dimensions (H×W×D)	1650 × 849 × 450 mm
Cabinet Base Included (H)	400 mm
Locking Mechanism	3-point Locking System
Cable Entry	Bottom
Microtube Drop Cable Entrance	48 Drop Baseplate
Feeder Cable Entrance	2 Cable Glands
Splice/Patch Subtracks	2 × 4U Subtracks & 1 × 1U Subtrack
Splitter Shelves Capacity	3U up to 12 Splitters (1:2, 1:4, 1:8, 1:16, 1:32)





RCAB-OD-2736-FTTH

Outdoor Passive Cabinets for FTTH Applications



Environmental & Mechanical Specifications

The RCAB-OD-2736-FTTH is an outdoor cabinet system designed to enable smooth operation, flexibility and scalability. This cabinet is a highly reliable solution that effectively supports FTTH networks.

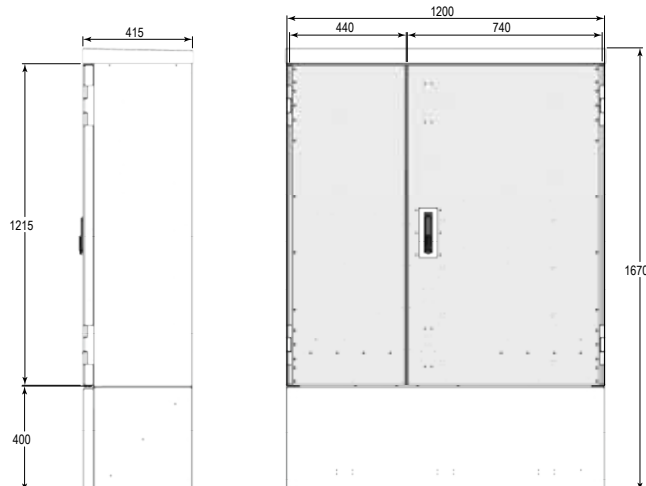
- Aluminum construction
- Robust design
- Modular design
- Easy installation process
- Panel bended technology
- 120° door opening with 3-point locking system
- Connections for up to 96 drop cable installations
- Document holder
- Feeder cable storage area
- Excellent fiber management
- Neat insertion, sealing and mechanical interception of micro ducts

Environmental

Protection Class	IP 55
Impact Protection	IK 10
Operating Temperature	-33°C to +45°C (ES 300 019-1-4, Class 4.1)
Storage Temperature	-40°C to +70°C (ES 300 019-1-1, Class 2.3)
Transportation Temperature	-40°C to +70°C (ES 300 019-1-2, Class 2.3)

Mechanical

Construction	Aluminum Alloy
Surface/Color	Powder Coated RAL 7035
Dimensions (H×W×D)	1670 × 1200 × 415 mm
Cabinet Base Included (H)	400 mm
Locking Mechanism	3-point Locking System
Cable Entry	Bottom
Microtube Drop Cable Entrance	96 Drop Baseplate
Feeder Cable Entrance	2 Cable Glands
Splice/Patch Subtracks	4 × 4U Subtracks & 1 × 2U Subtrack
Splitter Shelves Capacity	2 × 3U up to 24 Splitters (1:2, 1:4, 1:8, 1:16, 1:32)





RCAB-OD-9258-FTTH

Outdoor Passive Cabinets for FTTH Applications

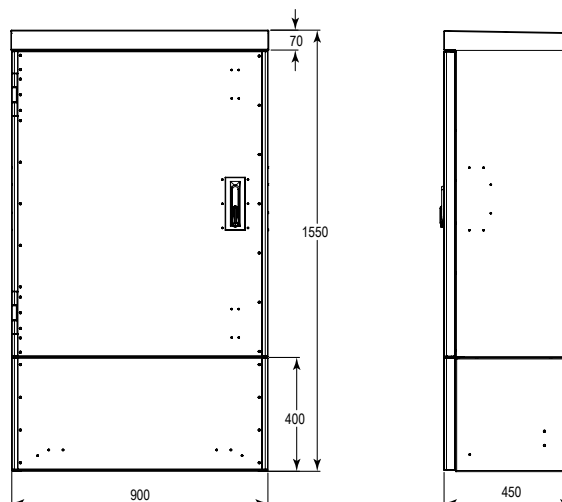


Environmental & Mechanical Specifications

The RCAB-OD-9258 is an outdoor cabinet system which is designed especially for installation in FTTH networks. The system allows connections of up to 48 point-to-point and up to 192 connections.

- Aluminum construction
- Robust design
- Modular design
- Easy installation process
- Panel bended technology
- 120° door opening with 3-point locking system
- Connections for up to 72 microtube drops and 2 feeder cables
- Document holder and laptop tray
- Feeder cable storage area
- Excellent fiber management
- Neat insertion, sealing and mechanical interception of micro ducts

Environmental	
Protection Class	IP 55
Impact Protection	IK 10
Operating Temperature	-33°C to +45°C (ES 300 019-1-4, Class 4.1)
Storage Temperature	-40°C to +70°C (ES 300 019-1-1, Class 2.3)
Transportation Temperature	-40°C to +70°C (ES 300 019-1-2, Class 2.3)
Mechanical	
Construction	Aluminum Alloy
Surface/Color	Powder Coated RAL 7035
Dimensions (H×W×D)	1550 × 900 × 450 mm
Cabinet Base Included (H)	400 mm
Locking Mechanism	3-point Locking System
Cable Entry	Bottom
Microtube Drop Cable Entrance	72 × 7 mm Drop Baseplate
Feeder Cable Entrance	2 × 14 mm Cable Glands
Splice Capacity	6 SE Feeder Trays 24 SC PtP Connection Trays 48 SC Drop CableTrays
Patch Capacity	Path Panel: 48 SC/APC Feeder Connections 192 SC/APC Drop Connections
Splitter Shelves Capacity	10 Splitters (1:8, 1:16, 1:32, 1:62, 2:8, 2:16, 2:32)





RHEX-9790

Heat Exchanger for Outdoor Cabinet



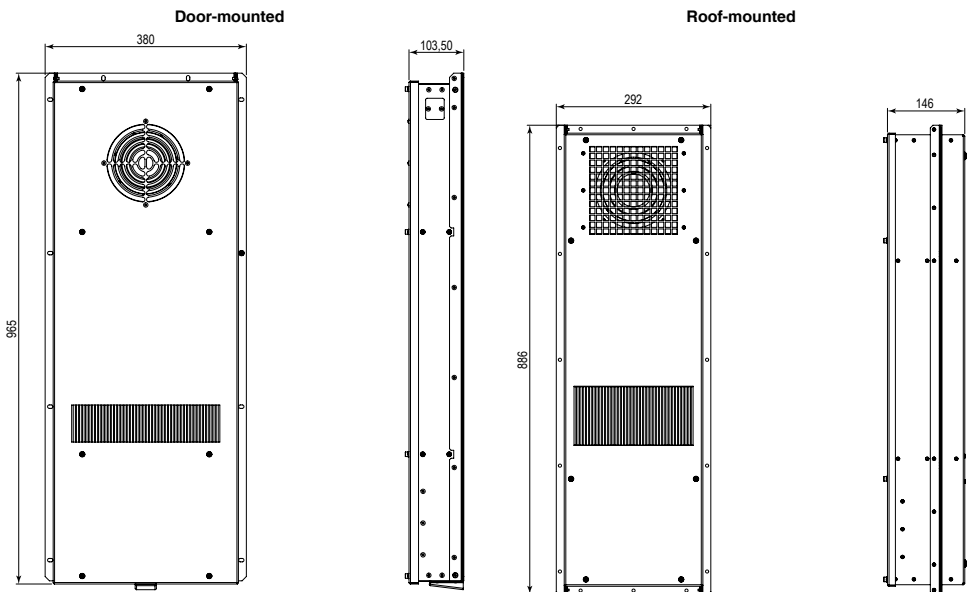
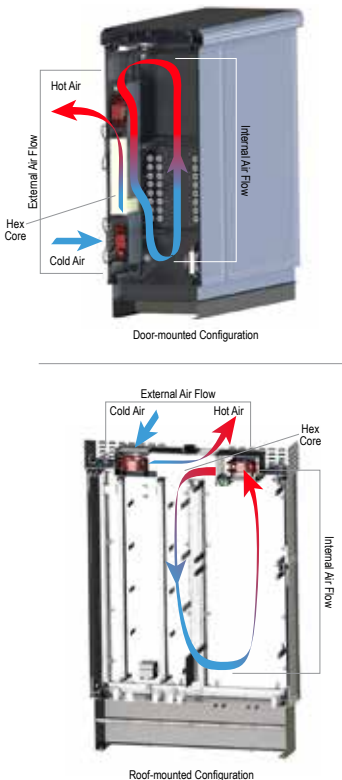
Raycap's Heat Exchanger solutions ensure that active electronic equipment installed in outdoor cabinets are cooled properly, are isolated from dust and dirt and keep the noise level low.

They provide excellent thermal performance, optimized controlling and have low maintenance requirements.

Technical Specifications*

Heat Exchanger	
Supply Voltage Nominal	-48 VDC
Power Consumption (max)	77W
Current (max)	1.6A
Cooling Capacity	40W/K
Speed	3050 min ⁻¹
Technical Features	Control Input 0-10 VDC/PWM, Tach Output
IP Rating (Cabinet Installation)	IP 55
Operating Temperature	-33°C to +60°C
Housing Material	Aluminum 1.5mm
Dimensions (H×W×D)	Door 965 × 380 × 104 mm Roof 886 × 292 × 146 mm
Mounting Position	Roof / Door
Fan Speed Controller	
Mounting Position	Cabinet / Heat Exchanger Housing
Programmable Fan Speed Control	Included
Fan Failure Alarm	Included
Temperature Alarm	Included

* Modifications to customer requests are possible.





RHEX-2868

Heat Exchanger for Outdoor Cabinet



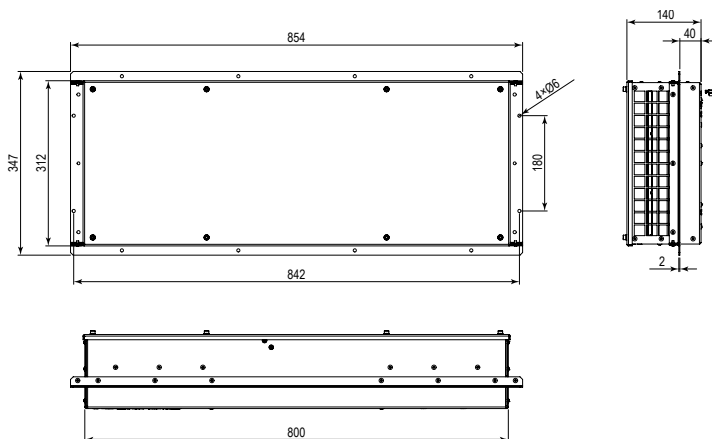
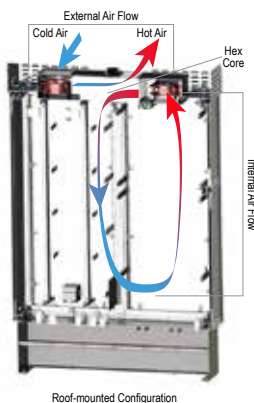
Active equipment is very sensitive and needs to be protected against external environmental influences especially when installed outdoors. The Heat Exchangers are the perfect solutions to control the internal temperature of the cabinets and protect the active equipment from extreme external conditions.

The Heat Exchangers incorporate two fans creating separate internal and external air circuits. The outside air cannot infiltrate inside the cabinet and vice versa. The Heat Exchanger provides a lot of features such as reliability, excellent thermal performance, optimized controlling and low maintenance requirements.

Technical Specifications*

Heat Exchanger	
Supply Voltage Nominal	-48 VDC
Power Consumption (max)	115W
Current (max)	2A
Cooling Capacity (max)	61 W/K (90% Fan Speed)
Speed	3050 min ⁻¹
Technical Features	Control Input 0-10 VDC/PWM, Tach Output
Noise Level	Minimum 35dB (A) - Maximum 60dB (A) @ 1 m
IP Rating (cabinet installation)	IP54
Operating Temperature	-25 °C to +70 °C
Number of Fans	2
EMC Interface Immunity	EN 61000-4-1/4-2/4-3/4-4/4-5/4-6/4-8
EMC Interface Emission	EN 55022
Housing Material	Aluminum 2mm
Dimensions (H x W x D)	854 x 347 x 140 mm
Safety Standard	EN 60950
Specification	TA Noise
Mounting Position	Roof / Door
Fan Speed Controller	
Mounting Position	Cabinet / Heat Exchanger Housing
Programmable Fan Speed Control	Included
Fan Failure Alarm	Included
Temperature Alarm	Included

* Modifications to customer requests are possible.





Raycap Worldwide Locations



Raycap Inc.
806 South Clearwater Loop
Post Falls, ID 83854
United States of America

7555-A Palmetto Commerce
Parkway
North Charleston, SC 29420
United States of America

46 Sellers St.
Kearny, NJ 07032
United States of America

Raycap GmbH
Parking 11
85748 Garching Munich
Germany

Raycap S.A.
Telou & Petroussou 14
15124 Maroussi Athens
Greece

Raycap S.A. Manufacturing
Industrial Area of Drama
66100 Drama
Greece

Raycap d.o.o.
Pod hrasti 7
Poslovna cona Žeje pri Komendi
1218 Komenda
Slovenia

Raycap Cyprus Ltd.
46 Lefkosias Street
Industrial Area of Dali
2540 Nicosia
Cyprus

Raycap SAS
84 rue Charles Michels, Bldg. B
93200 Saint-Denis
France

Raycap Corporation SRL
102, Barbu Vacarescu,
entrance D, 4th floor, D22
020283 Bucharest
Romania

Raycap (Suzhou) Co. Ltd.
Block B, Phase II
of New Sea Union
No. 58 Heshun Road
SIP, Suzhou 215122
Jiangsu Province
China



Raycap

raycap.com • info@raycap.com

Magnelis is a registered trademark of ArcelorMittal.

Raycap is a registered trademark.
© 2024 Raycap All rights reserved.
G09-00-105 240419