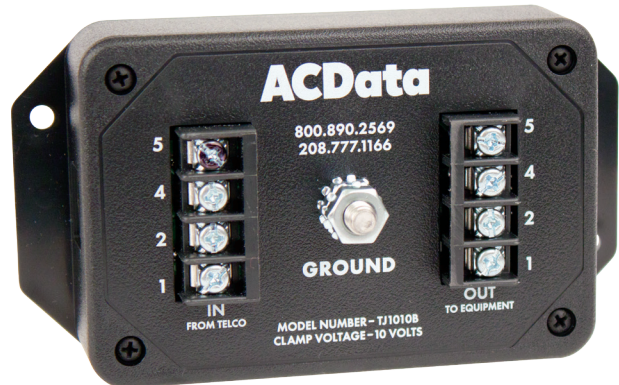


Data Surge Protection Solution **TJ1010B Protector**

The TJ1010B protects T1 and E1 Digital Signaling Level 1 (DS-1) backhaul circuits from damage caused by lightning and induced transient surges.

ACData[®]**Features**

- UL 497B 4th Edition Listed
- Advanced state-of-the-art transient surge and lightning protection
- Optimum protection for T1/E1 DS-1 backhaul circuits
- Screw-down terminal strips and registered jacks (RJ) for easy installation

Benefits

Multi-stage hybrid design uses gas tubes coordinated with bridged high-capacity silicon avalanche diodes to protect backhaul circuits

Basic Applications

- Light-industrial
- Telecommunications

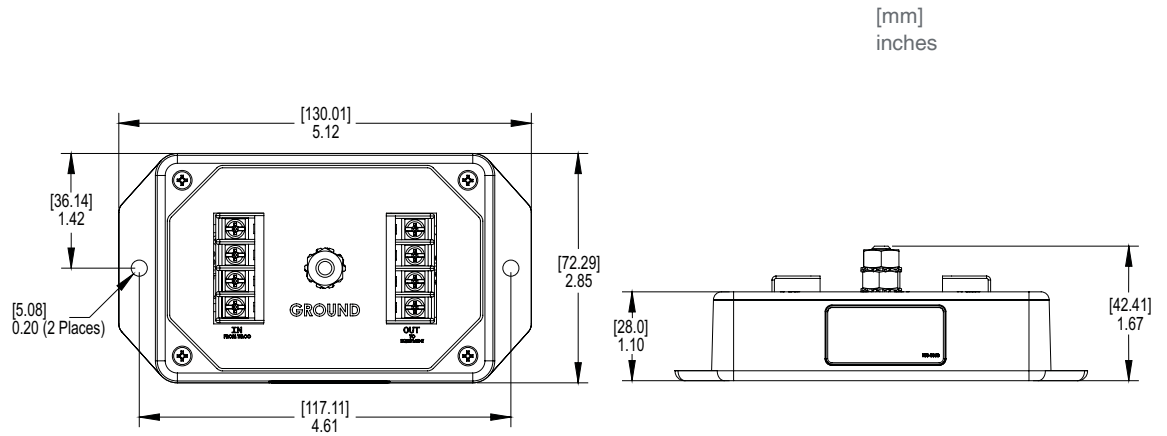
ACData is a registered trademark of Raycap
© 2016 Raycap All rights reserved.
G02-00-047 160520

Data Surge Protection Solution TJ1010B Protector



Electrical	TJ1010B
Breakdown Voltage	8V to 12V
Maximum Surge Current Capacity [I_{max}]	10kA 8/20 μ s 4kA 10/350 μ s
Suppression Technology	SAD + GDT
Mechanical	TJ1010B
Connection Application	T1/E1 DS-1 Backhaul
Connection Terminal (Suppression) Hardwired	#14 to #22 AWG
Connection Terminal Type (Wire Compression)	4 position screw-down terminal strips
Pins Protected	1 & 2, 4 & 5
Connection Method	RJ45 Modular Jack Hardwired
Operating Temperature ($^{\circ}$ C)	-40 $^{\circ}$ C to +80 $^{\circ}$ C
Enclosure Type (Indoor)	ABS Plastic, UL 94-V0 Rated
Enclosure Dimension (L x W x H)	5.12" x 2.85" x 1.67" [130.01 x 72.29 x 42.41 mm]
Weight	0.45 lbs [0.204 kg]

Product Diagram



AWG=American Wire Gauge