

Data Surge Protection Solutions Singleport Series B

TJP016B • EJ2010B • GJ2010B • SJ2010B • PJ2010B • NJ2010B

The Singleport Series B protects signal and data lines with fast responding silicon avalanche diode (SAD) technology.

ACData[®]



Features

- High quality PC board construction
- Hardwired or pluggable connections
- Fast responding, low-clamping silicon avalanche diode (SAD) protection
- Tip to ring, tip to ground and ring to ground protection
- Models with parallel gas tube for high surge current handling
- Connections available for:
 - ◆ Plain Old Telephone Service (POTS)
 - ◆ T1 and E1 Digital Signaling Level 1 (DS-1)
 - ◆ Ethernet
 - ◆ Gigabit Ethernet (GigE)
 - ◆ Power Over Ethernet (PoE)
 - ◆ Digital Signaling Level 0 (DS-0)

Benefits

Innovative light weight design provides cost-effective protection for signal and data lines.

Basic Applications

- Light-industrial
- Telecommunications

ACData is a registered trademark of Raycap
© 2016 Raycap All rights reserved.
G02-00-176 160520

SPECIFICATIONS

**Data Surge Protection Solutions
Singleport Series B**

TJP016B • EJ2010B • GJ2010B • SJ2010B • PJ2010B • NJ2010B



Electrical		TJP016B	EJ2010B	GJ2010B	SJ2010B	PJ2010B*	NJ2010B*
Breakdown Voltage	Power	-	-	-	-	70V to 90V	120V to 140V
	Data	16VDC	10VDC	28VDC	28VDC	8V to 12V	120V to 140V
Maximum Peak Voltage	Power	-	-	-	-	60VDC	60VDC
	Data	12V	6V	22V	22V	10V	60V
Maximum Surge Current Capacity [I_{max}]		<3kA 8/20 μ s	<3kA 8/20 μ s	<3kA 8/20 μ s	<3kA 8/20 μ s	<3kA 8/20 μ s	<3kA 8/20 μ s
Suppression Technology		SAD	SAD+GDT	GDT+TBU	GDT+TBU	SAD+MOV+GDT	SAD+GDT
Connection Type		Low Voltage, T1 DS-1, Data Lines	10/100 Base-T Ethernet	10/100/1000 Base-T Ethernet	10/100/1000 Base-T Ethernet	PoE IEEE 802.3af Mode B 10/100 Base-T Ethernet	GigE PoE IEEE 802.3at
Pins Protected		All 8 pins to ground	1 & 2, 3 & 6	1 & 2, 3 & 6, 4 & 5, 7 & 8	1 & 2, 3 & 6, 4 & 5, 7 & 8	1 & 2, 3 & 6, 4 & 5, 7 & 8	1 & 2, 3 & 6, 4 & 5, 7 & 8
Connection Method		RJ45 Modular Jack	RJ45 Modular Jack	RJ45 Modular Jack	RJ45 Shielded Modular Jack	RJ45 Modular Jack	RJ45 Modular Jack

Mechanical	
Operating Temperature (°C)	-40° C to +80° C
Enclosure Type (Indoor)	ABS Plastic, UL 94-V0 Rated
Enclosure Dimension (L x W x H)	5.12" x 2.85" x 1.67" [130.01 x 72.29 x 42.41 mm]
Weight	.45 lbs [.204 kg]

Standards Compliance & Certifications	
*Standards	*UL 497B 4 th Edition: 2008
Certification	UL

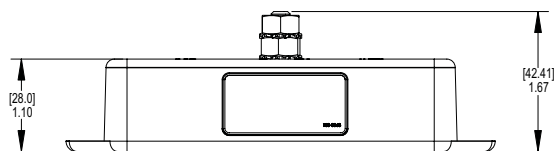
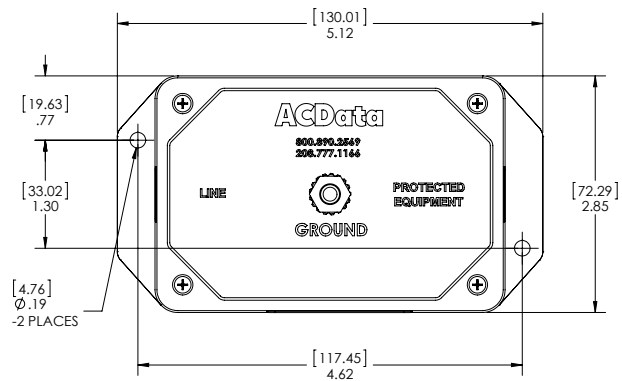
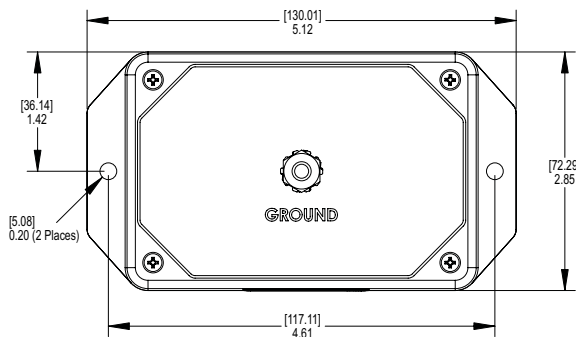
Product Diagram

[mm]
inches

Mounting Holes: #1

Mounting Holes: #2

®



GDT=Gas Discharge Tube
MOV=Metal Oxide Varistor
TBU=Transient Blocking Unit



www.raycap.com