

Data Surge Protection Solutions Singleport Series A

TJ2DS0B • TJ3010B • TJP265B • TJ3265B • TJH3265B

The Singleport Series A protects signal and data lines with fast responding silicon avalanche diode (SAD) technology.

ACData[®]



Features

- High quality PC board construction
- Hardwired or pluggable connections
- Fast responding, low-clamping silicone avalanche diode (SAD) protection
- Tip to ring, tip to ground and ring to ground protection
- Models with parallel gas tube for high surge current handling
- Connections available for:
 - ◆ Plain Old Telephone Service (POTS)
 - ◆ T1 and E1 Digital Signaling Level 1 (DS-1)
 - ◆ Ethernet
 - ◆ Gigabit Ethernet (GigE)
 - ◆ Power Over Ethernet (PoE)
 - ◆ Digital Signaling Level 0 (DS-0)

Benefits

Innovative light weight design provides cost-effective protection for signal and data lines.

Basic Applications

- Light-industrial
- Telecommunications

ACData is a registered trademark of Raycap
© 2016 Raycap All rights reserved.
G02-00-048A 160520

SPECIFICATIONS

Data Surge Protection Solutions
Singleport Series A

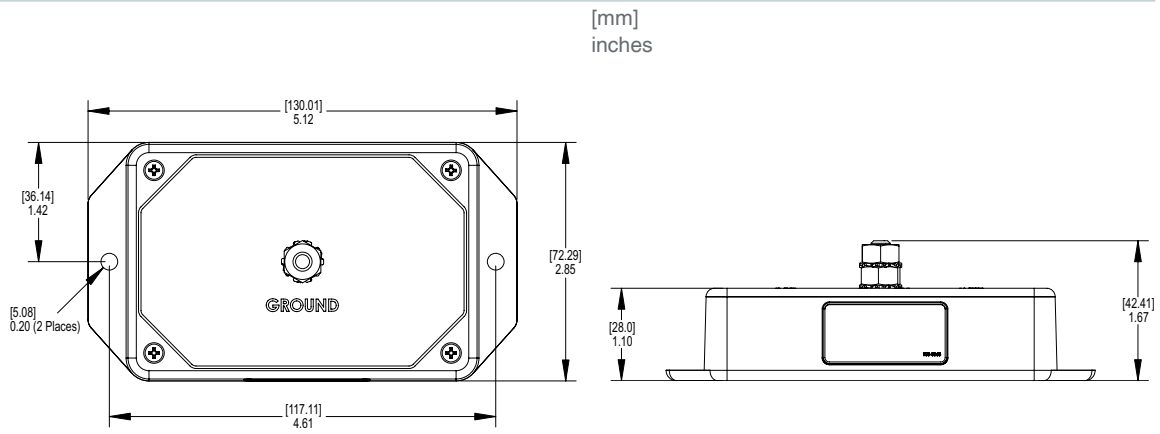
TJ2DS0B • TJ3010B • TJP265B • TJ3265B • TJH3265B



Electrical		TJ1DS0B	TJ3010B	TJP265B	TJ3265B	TJH3265B
Breakdown Voltage	Data	140VDC	7VDC	265VDC	265VDC	265VDC
Maximum Peak Voltage	Data	110V	5V	235V	220V	220V
Maximum Surge Current Capacity [I_{max}]		10 kA 8/20 μ s	10 kA 8/20 μ s	3 kA 8/20 μ s	10 kA 8/20 μ s	10 kA 8/20 μ s
Suppression Technology		SAD + GDT	SAD + GDT	SAD	SAD + GDT	SAD + GDT
Connection Type		DS-0 Standard	T1 or E1 DS-1 Standard	PSTN, High Voltage Data Lines, Telephone	High Voltage Data Lines, Telephone	High Voltage Data Lines, Telephone
Pins Protected		1 & 2, 7 & 8	1 & 2, 4 & 5	All 8 pins to ground	4 & 5	4 & 5
Connection Method		RJ45 Modular Jack	RJ45 Modular Jack	RJ45 Modular Jack	RJ45 Modular Jack or Hardwire	Hardwire

Mechanical	
Operating Temperature (°C)	-40° C to +80° C
Enclosure Type (Indoor)	ABS Plastic, UL 94 - V0 Rated
Enclosure Dimension (L x W x H)	5.12" x 2.85" x 1.67" [130.01 x 72.29 x 42.41 mm]
Weight	0.45 lbs [.204 kg]

Product Diagram



GDT=Gas Discharge Tube
 PSTN=Public Switched Telephone Network



www.raycap.com