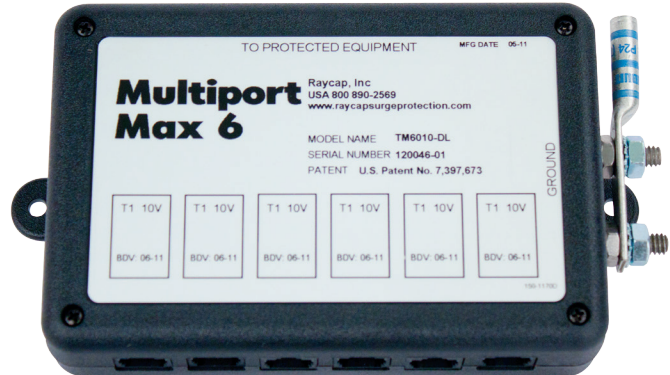


Data Surge Protection Solutions

Multiport Max 6

Multiport Max 6 is a flexible solution for protection of multiple data and signal lines

ACData[®]



Features

- Innovative patented modular design allows for custom protection configurations
- Modules can be removed, replaced and/or upgraded independently
- Interchangeable modules available for:
 - ◆ T1/E1*
 - ◆ Digital Signaling Level 3 (DS-3)
 - ◆ 10/100 Base-T Ethernet
 - ◆ 1000 Base-T Gigabit Ethernet (GigE) unshielded
 - ◆ Power over Ethernet (PoE) available soon
- Double lug grounding available
- T1/E1 module is UL 497B 4th Edition Listed*

Benefits

Flexible, upgradable and interchangeable and modular design allows or custom protection configurations.

Basic Applications

- Telecommunications



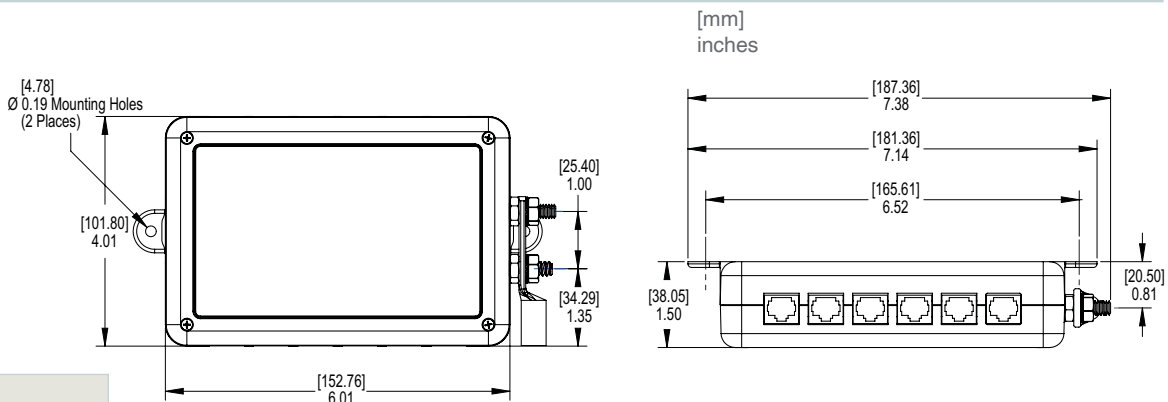
Electrical	Base Model MPM6-XXXXXX-XX-X			
Module Specifications	TM0010*	EM0010	GM0010	DM0090
Breakdown Voltage	6V to 11V	-	-	-
Accumulative Surge Current Capacity [I_{max}]	<3kA 8/20 μ s	<3kA 8/20 μ s	<3kA 8/20 μ s	<3kA 8/20 μ s
Suppression Technology	SAD + GDT	SAD + GDT	TBU + GDT	GDT
Connection Type	T1/E1 Modules	10/100 Base-T Ethernet Module	1000 Base-T GigE Ethernet Module	T3 DS-3 Module
Pins Protected	1 & 2, 4 & 5	1 & 2, 3 & 6	1 & 2, 3 & 6, 4 & 5, 7 & 8	Center conductor to shield, shield to ground
Connection Method	RJ45 Modular Jack	RJ45 Modular Jack**	RJ45 Modular Jack**	BNC Connector

Mechanical	Base Model MPM6-XXXXXX-XX-X
Operating Temperature (°C)	-40° C to +80° C
Enclosure Type (Indoor)	ABS Plastic, UL 94V0 Rated
Enclosure Dimension (L x W x H)	6.01" x 4.01" x 1.50" [152.76 x 101.8 x 38.05 mm]
Weight	1.25 lbs [.567 kg]

Optional Configurations	Part Number-Suffix
	(See key to Part Numbering System below.)
Double Lug Grounding (DL)	MPM6-XXXXXX-DL
Mounting Hardware Kit (P)	MPM6-XXXXXX-DL-P
Outdoor Enclosure Rated NEMA 3R with Mounting Bracket (OD)	MPM6-XXXXXX-DL-OD

Standards Compliance & Certifications	
Standards	*UL 497B 4 th Edition: 2008
Certification	UL

Product Diagram



Part Numbering System
Naming Configuration
MPM6 - XXXXXX - DL - P
1 2 3 4

1 = Multiport Max 6 Enclosure MPM6
2 = Port Configuration
X = Blank (port is empty)
T = T1/E1 10 Volt
E = 10/100 Base-T Ethernet
[†]DD = Digital Signal Level 3 (DS-3)
[†]GG = 1000 Base-T GigE Ethernet
W = T1/E1 30 Volt
3 = Optional Suffix (DL=Double Lug Ground)
4 = Optional Hardware Kit (P)

Example
MPM3-ETDDGG-DL
Port 1 = Shielded GigE
Port 2 = T1/E1
Port 3 & 4 = DS-3
Port 5 & 6 = 1000 Base-T GigE Ethernet

[†]DS-3 and GigE configurations require two ports each side by side.

*UL 497B 4th Edition Listed
**Available with shielded connector, see Multiport Max 3

AWG=American Wire Gauge
BNC=Bayonet Neill-Concelman Connector
GDT=Gas Discharge Tube
TBU=Transient Blocking Unit

