

DC Modular Multi-pole SPD for Photovoltaic Systems

PV ProTec C(R) 40 Y TD

Type 2



Location of Use: Photovoltaic Systems – PV Module Side
 Mode of Protection: (+) - PE, (-) - PE, (+) - (-)
 Surge Ratings: $I_n = 20 \text{ kA (8/20}\mu\text{s)}$
 $I_{max} = 40 \text{ kA (8/20}\mu\text{s)}$
 EN Category: Type 2
 Protective Elements: High Energy MOV
 Housing: Modular Design
 Compliance: EN 50539-11:2013 + A1:2014

Technical Data

PV ProTec C(R) 40/xxxx Y TD

1000

Electrical

Open Circuit Voltage	$U_{OC\ STC}$	830V
Maximum Continuous Operating Voltage (DC)	U_{CPV}	1000V
Nominal Discharge Current (8/20 μs)	I_n	20 kA
Total Discharge Current (8/20 μs)	I_{total}	40 kA
Maximum Discharge Current (8/20 μs)	I_{max}	40 kA
Voltage Protection Level	(+) - (-) U_p	< 4.0kV
	(+)/(-) - PE U_p	< 4.0kV
Short Circuit Current Rating	I_{SCPV}	1000 A
Response Time	t_A	< 25 ns
Number of Ports		1

Mechanical & Environmental

Temperature Range	T_a	-40 °C to +85 °C
Permissible Humidity	RH	5%...95%
Terminal Screw Torque	M_{max}	3.0Nm
Conductor Cross Section (max)		35 mm ² (solid) / 25 mm ² (stranded)
Mounting		35 mm DIN Rail, EN 60715
Degree of Protection		IP 20
Housing Material		Thermoplastic: Extinguishing Degree UL 94 V-0
Thermal Protection		Yes
Fault Indication		Red Flag
Remote Contacts (RC)		Optional
RC Switching Capacity		AC: 250V/0.5 A; 125V/3 A
RC Terminal Cross Section (max)		1.5 mm ²
RC Terminal Screw Torque		0.25 Nm

Order Information

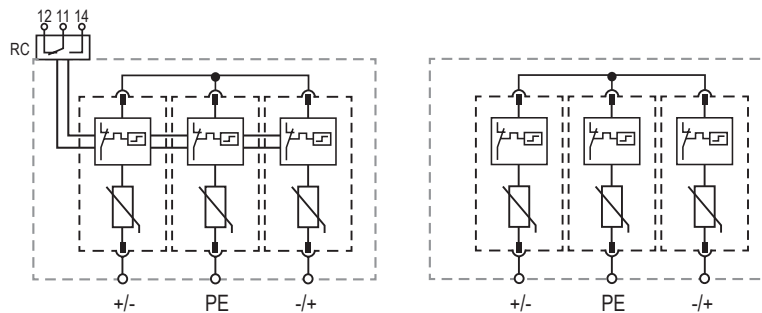
Order Code	1000
PV PROTEC C 40/xxxx Y TD	501.793
PV PROTEC CR 40/xxxx Y TD (with remote contacts)	501.794
Module PV PROTEC C(R) 40/xxxx Y	501.776

PV ProTec C(R) 40 Y TD

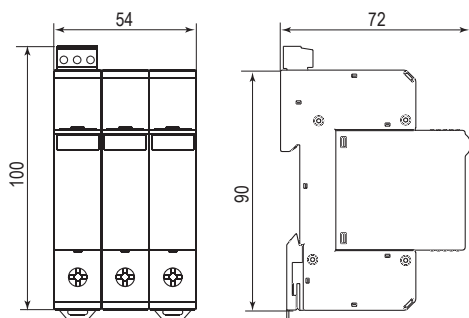
Internal Configuration

Legend

- PE Protective Earth
- RC Remote Contacts Optional



Dimensions & Packaging [mm]

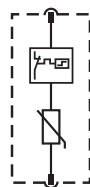


Dimensions & Packaging

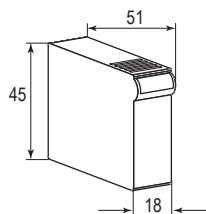
PV Protec C 40/xxxx Y TD	
Quantity	1000
Single Unit Weight	398 g
Single Unit DIN 43880 Dimension	3 TE
Packaging Dimensions (H x W x L)	109 x 77 x 62 mm
Minimum Package Quantity	5 Units
PV Protec CR 40/xxxx Y TD	
Quantity	1000
Single Unit Weight	403 g
Single Unit DIN 43880 Dimension	3 TE
Packaging Dimensions (H x W x L)	109 x 77 x 62 mm
Minimum Package Quantity	5 Units

Module Internal Configuration

Module PV ProTec C(R) 40/xxxx Y



Dimensions & Packaging [mm]



Dimensions & Packaging

Module PV ProTec C(R) 40/xxxx Y	
Quantity	1000
Single Unit Weight	58 g
Single Unit DIN 43880 Dimension	1 TE
Packaging Dimensions (H x W x L)	98 x 77 x 110 mm
Minimum Order Quantity	12 Units

Information contained in this document is subject to change at any time without notice.

